

4

3

2

1

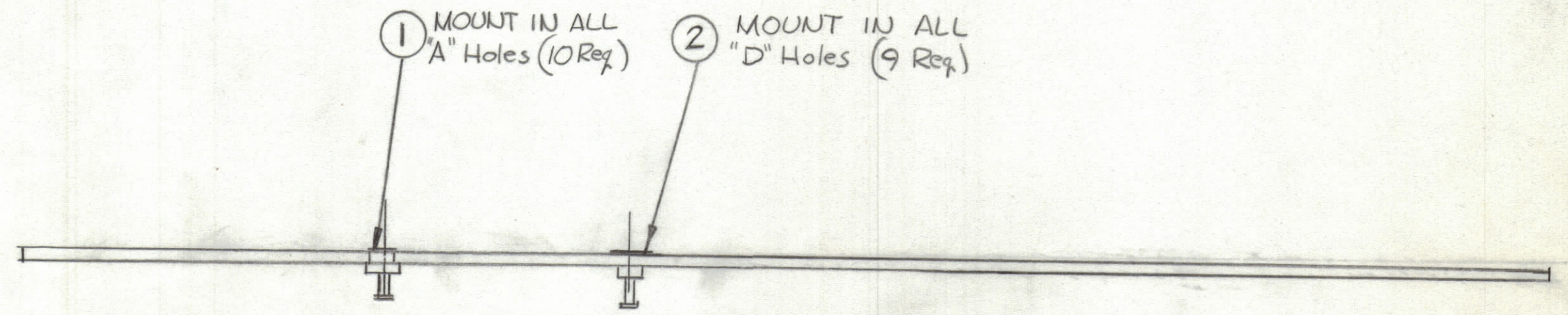
FABRICATION NOTES:

- TO BE MANUFACTURED IN ACCORDANCE WITH TMC SPEC S735 AND SPECIFICALLY
- 1. OVERALL MATERIAL THICKNESS $.062 \pm .0062$ AS PER (pp 3.1, 3.2)
- 2. CONDUCTOR PATTERN TO BE COPPER FOIL AS PER (pp 4.1) PLATING TO BE TIN LEAD AS PER (pp 13.2.2, 13.2.1)
- 3. MIN FINISHED CONDUCTOR WIDTH SHALL NOT BE LESS THAN .020
MAX FINISHED CONDUCTOR WIDTH SHALL BE DETERMINED BY THE ARTWORK LINE WIDTH $\pm .010$
- 4. ALL HOLES TO BE PLATED THRU AS PER (pp 8.9.5). UNLESS OTHERWISE SPECIFIED
- 5. EDGE BOARD CONNECTORS (FINGER) SHALL BE GOLD PLATED (pp 10)
- 6. ALL UNMARKED HOLES TO BE NO. 60 (.040) DRILL (SEE INDIVIDUAL ARTWORK FOR LOCATION)
- 7. MATERIAL: G10 GLASS EPOXY, LAMINATE 2 OZ. COPPER CLAD, BOTH SIDES

REVISIONS						
ZONE	LTR	DESCRIPTION	DATE	E.M.N.NO	DRAFT	CHKD APPD

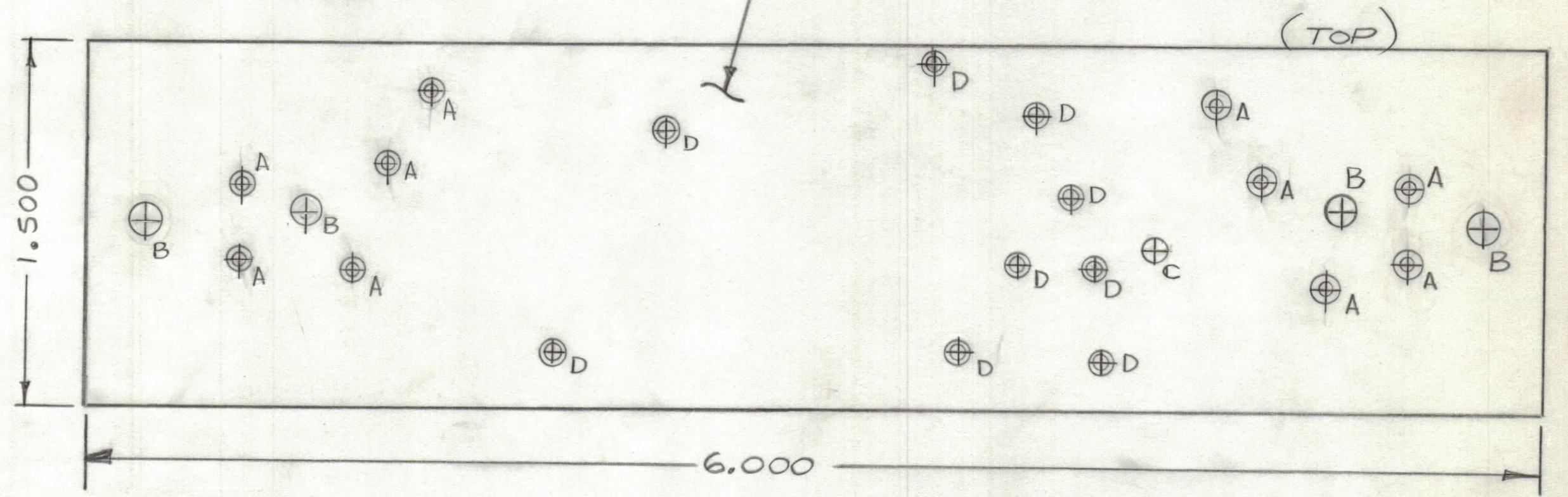
THIS IS NOT ORIGINAL ARTWORK
THIS IS TO BE USED FOR REF ONLY

① MOUNT IN ALL "A" Holes (10 Req)
② MOUNT IN ALL "D" Holes (9 Req)



MACHINING SCALE 2:1

COMPONENT SIDE



Hole	Description	Req.
A	.167 DIA	10
B	13/64 DIA.	4
C	1/8 DIA	1
D	.081 DIA	9
UNMARKED Holes .040 DIA		

(REF CK1886) Z304

QTY. REQ.	ITEM	PART NO.	DESCRIPTION	SYMBOL
9	2	TE127-2	TERMINAL STUD	D
10	1	TE192-A3-R9	TERMINAL STUD, TEFLON INSULATED	A

LIST OF MATERIAL

THE TECHNICAL MATERIEL CORP.
MAMARONECK, NEW YORK

PRINTED CIRCUIT BD
DUAL OSCILLATOR

UNLESS OTHERWISE SPECIFIED DIMENSIONS ARE IN INCHES AND INCLUDE CHEMICALLY APPLIED OR PLATED FINISHES	FINAL APPROVAL	DATE
TOLERANCES ON DECIMALS .X ± .05 .XX ± .01 .XXX ± .005 FRACTIONS ± 1/64 ANGLES ± 0° -30'	MECH. DES.	DATE
	ELECT. DES.	DATE
	CHECKED	DATE
	DRAWN <i>UW</i>	DATE 12-19-73

1	BMA515	A4976
QTY / UNIT	MODEL USED ON	ASS'Y NO.
APPLICATION		
CODE		

NOTICE TO PERSONS RECEIVING THIS DRAWING
THE TECHNICAL MATERIEL CORPORATION claims proprietary right in the material disclosed hereon. This drawing is issued in confidence for engineering information only and may not be reproduced or used to manufacture anything shown hereon without permission from THE TECHNICAL MATERIEL CORPORATION to the user. This drawing is loaned for mutual assistance and is subject to recall at any time.

MATERIAL	SIZE	CODE IDENT.NO.	DWG NO.	ISSUE
FINISH	C	82679	PC701	Ø
SCALE			SHEET	OF

4

3

2

1