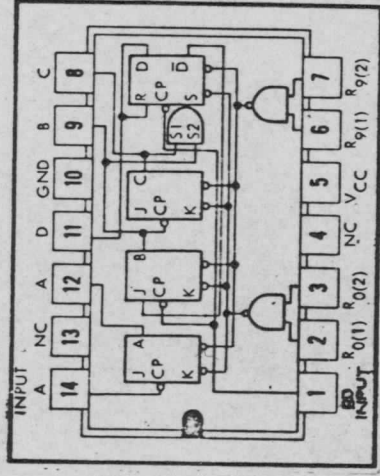


APPLICATION

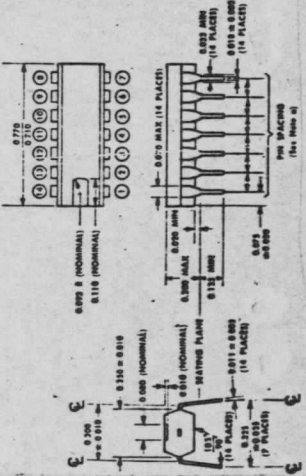
REVISIONS

QTY	MODEL USED ON	ASS'Y NO.	LTR	DESCRIPTION	DATE	E.M.N.NO	DRAFT	CHKD	APPD
	RSU-1		Ø	ORIGINAL RELEASE	12-8-72		<i>ef</i>		



**RECOMMENDED OPERATING CONDITIONS:**  
**SUPPLY VOLTAGE Vcc: 4.75V TO 5.25V**  
**ELECTRICAL CHARACTERISTICS:**  
**TA = 0°C TO 70°C**

14-PIN PLASTIC DUAL-IN-LINE N-PACKAGE OUTLINE



**NOTES:** a. The true-position pin spacing is 0.100 between centerlines. Each pin centerline is located within  $\pm 0.010$  of its true longitudinal position relative to pins (1) and (14).  
 b. All dimensions are in inches unless otherwise noted.

5401-265 (SN 7490N)

REQ'D ITEM	PART NUMBER	DESCRIPTION	SYM.
		LIST OF MATERIAL	
THE TECHNICAL MATERIEL CORP. MAMARONECK, NEW YORK			
NETWORK, DECADE, COUNTER			
SIZE	CODE IDENT. NO.	DWG NO.	ISSUE
A	82679	NW 190	Ø
SCALE		SHEET	OF
UNLESS OTHERWISE SPECIFIED DIMENSIONS ARE IN INCHES AND INCLUDE CHEMICALLY APPLIED OR PLATED FINISHES			
DECIMALS	FRACTIONS		
.X ± .05	1/64		
.XX ± .01	ANGLES		
.XXX ± .005	0° - 30°		
MATERIAL			
FINISH			
FINAL APPROVAL	DATE		
<i>O. POSE</i>	<i>12/7/72</i>		
MECH. DES.	DATE		
ELECT. DES.	DATE		
CHECKED	DATE		
DRAWN	DATE		
<i>GE</i>	<i>12/7/72</i>		
NOTICE TO PERSONS RECEIVING THIS DRAWING			
THE TECHNICAL MATERIEL CORPORATION claims proprietary right in the material disclosed hereon. This drawing is issued in confidence for engineering information only and may not be reproduced or used to manufacture anything shown hereon without permission from THE TECHNICAL MATERIEL CORPORATION to the user. This drawing is loaned for mutual assistance and is subject to recall at any time.			