

APPLICATION

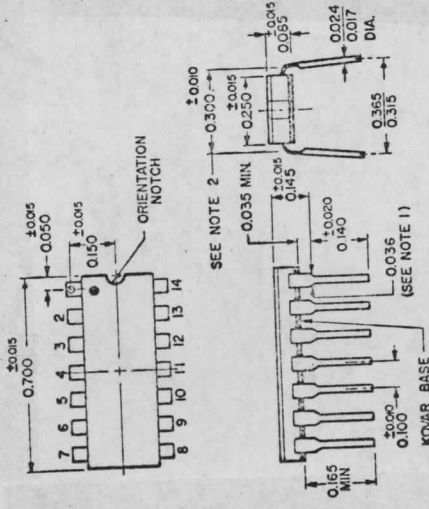
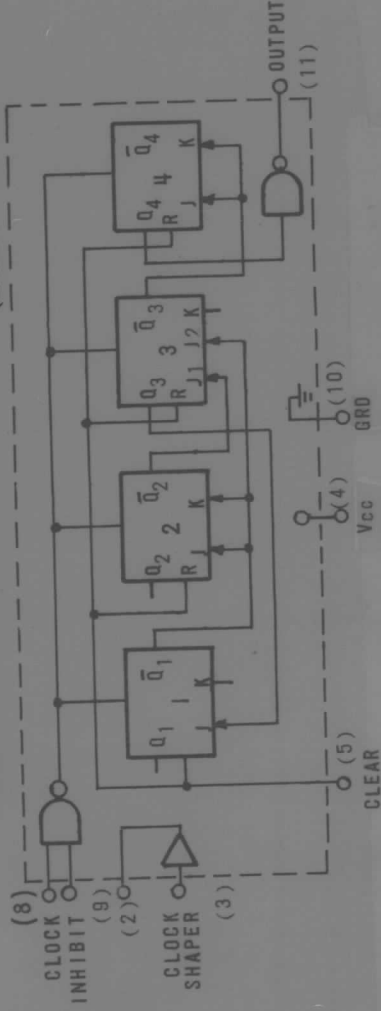
QTY MODEL USED ON ASSY NO. LTR

HFR-4

REVISIONS

DESCRIPTION	DATE	E.M.N.NO	DRAFT	CHKD	APPD
EXPERIMENTAL RELEASE	3/29/68		C.V.		
ORIG. RELEASE FOR PROD	10-27-68		R.G.		
PICTORIAL ADDED	2/17/69	19335			
MFR DESCRIPTION ADDED	6/4/69	19616		CV	

(Dual In-Line Plug-In)



NOTES:  
 1. THIS DIMENSION IS A REFERENCE POINT AT WHICH THE TAPER IN THE LEAD IS 0.036 WIDE.  
 2. THIS DIMENSION IS THE DISTANCE BETWEEN LEAD CENTER LINES WITH LEADS PERPENDICULAR TO THE BASE OF THE PACKAGE.

PERFORMANCE CHARACTERISTICS

CHARACTERISTICS  
 DIGITAL INPUT  
 ANALOG INPUT  
 OUTPUT

PROPAGATION DELAY  
 LOGIC SWING  
 OUTPUT LOGIC "0"  
 OUTPUT LOGIC "1"  
 NOISE IMMUNITY  
 POWER DISSIPATION  
 FAN OUT  
 OPERATING TEMPERATURE

TYPICAL VALUE  
 Dc TO 30 MHZ  
 5 HZ TO 30 MHZ  
 SYMMETRICAL SQUARE WAVE I/IO  
 INPUT FREQUENCY  
 24 ns  
 0.25 VOLTS  
 3.3 VOLTS  
 ±1 VOLT  
 120 mW  
 6 TO 15  
 0°C TO +75°C (SM92,93)

REQ'D ITEM	PART NUMBER	DESCRIPTION	SYM.
LIST OF MATERIAL			
THE TECHNICAL MATERIEL CORP. MAMARONECK, NEW YORK			
FINAL APPROVAL	DATE	DECADE DIVIDER	ISSUE B
MECH. DES.	DATE		
ELECT. DES.	DATE		
CHECKED	DATE		
DRAWN	DATE		
UNLESS OTHERWISE SPECIFIED DIMENSIONS ARE IN INCHES AND INCLUDE CHEMICALLY APPLIED OR PLATED FINISHES		SIZE	DWG NO.
DECIMALS 1/64		A	82679
X ± .05 TOLS. ANGLES 0°-30°		SCALE	SHEET
MATERIAL			OF
FINISH			
NOTICE TO PERSONS RECEIVING THIS DRAWING THE TECHNICAL MATERIEL CORPORATION claims proprietary right in the material disclosed hereon. This drawing is issued in confidence for engineering information only and may not be reproduced or used to manufacture anything shown hereon without permission from THE TECHNICAL MATERIEL CORPORATION to the user. This drawing is loaned for mutual assistance and is subject to recall at any time.			