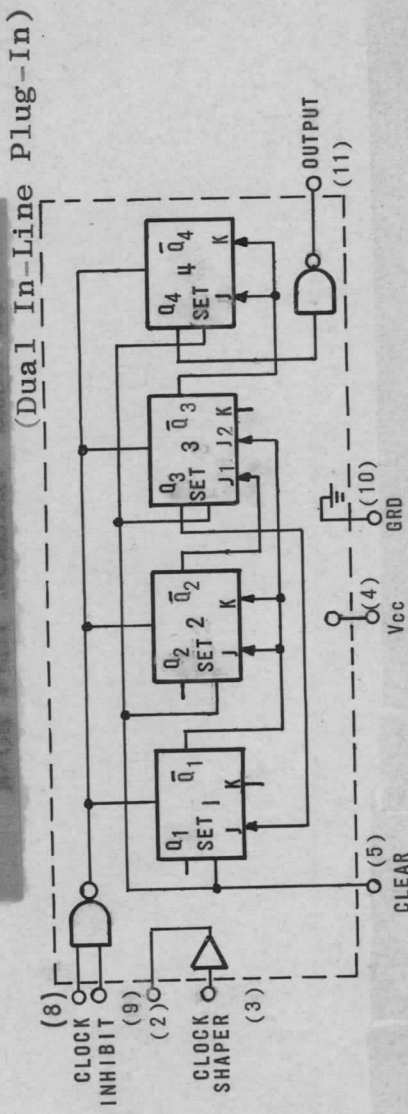
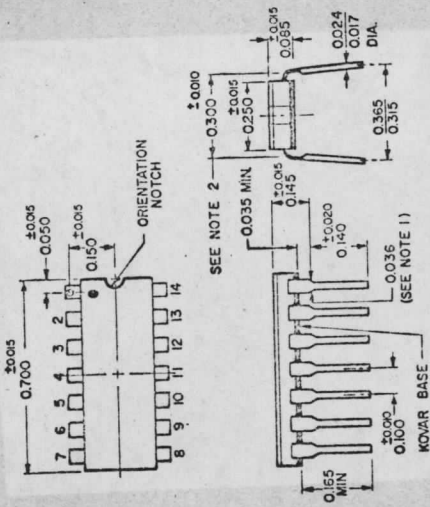


APPLICATION		REVISIONS							
QTY	MODEL USED ON	ASS'Y NO.	LTR	DESCRIPTION	DATE	E.M.N.NO	DRAFT	CHKD	APPD
	HFRR-4		X	EXPERIMENTAL RELEASE	3/29/68		C.V.		
			Ø	ORIG. RELEASE FOR PROD.	10-22-68	Ø	R.G.		
			A	PICTORIAL ADDED	2/17/69	19335			
			B	MFR P/N REVISED	10/14/69	19616	CV		



PERFORMANCE CHARACTERISTICS

CHARACTERISTICS	TYPICAL VALUE
DIGITAL INPUT	DC TO 30 MHZ
ANALOG INPUT	5 HZ TO 30 MHZ
OUTPUT	SYMMETRICAL SQUARE WAVE 1/10 INPUT FREQUENCY
PROPAGATION DELAY	24 ns
LOGIC SWING	0.25 VOLTS
OUTPUT LOGIC "0"	3.3 VOLTS
OUTPUT LOGIC "1"	±1 VOLT
NOISE IMMUNITY	120 mW
POWER DISSIPATION	6 TO 15
FAN OUT	-55°C TO +125°C (SM50,51)
OPERATING TEMPERATURE	



NOTES:
 1. THIS DIMENSION IS A REFERENCE POINT AT WHICH THE TAPER IN THE LEAD BEGINS.
 2. THIS DIMENSION IS THE DISTANCE BETWEEN LEAD CENTER LINES WITH LEADS PERPENDICULAR TO THE BASE OF THE PACKAGE.

REQ'D ITEM	PART NUMBER	DESCRIPTION	SYM.
HOGAN		LIST OF MATERIAL	
<p>UNLESS OTHERWISE SPECIFIED DIMENSIONS ARE IN INCHES AND INCLUDE CHEMICALLY APPLIED OR PLATED FINISHES</p> <p>DECIMALS FRACTIONS .X ± .05 TOLS. 1/64 .XX ± .01 ANGLES 0°-30' .XXX ± .005</p>			
<p>THE TECHNICAL MATERIEL CORPORATION claims proprietary right in the material disclosed hereon. This drawing is issued in confidence for engineering information only and may not be reproduced or used to manufacture anything shown hereon without permission from THE TECHNICAL MATERIEL CORPORATION to the user. This drawing is loaned for mutual assistance and is subject to recall at any time.</p>			
MATERIAL		<p>THE TECHNICAL MATERIEL CORP. MAMARONECK, NEW YORK</p>	
FINISH		<p>DECADE DIVIDER</p>	
EINAL/APPROVAL		<p>DATE 10-22-68</p>	
MECH. DES.		<p>DATE</p>	
ELECT. DES.		<p>DATE 10-22-68</p>	
CHECKED		<p>DATE</p>	
DRAWN		<p>DATE 3/2/68</p>	
SIZE A		CODE IDENT. NO. 82679	DWG NO. NW 170
SCALE		SHEET	OF
ISSUE		B	