

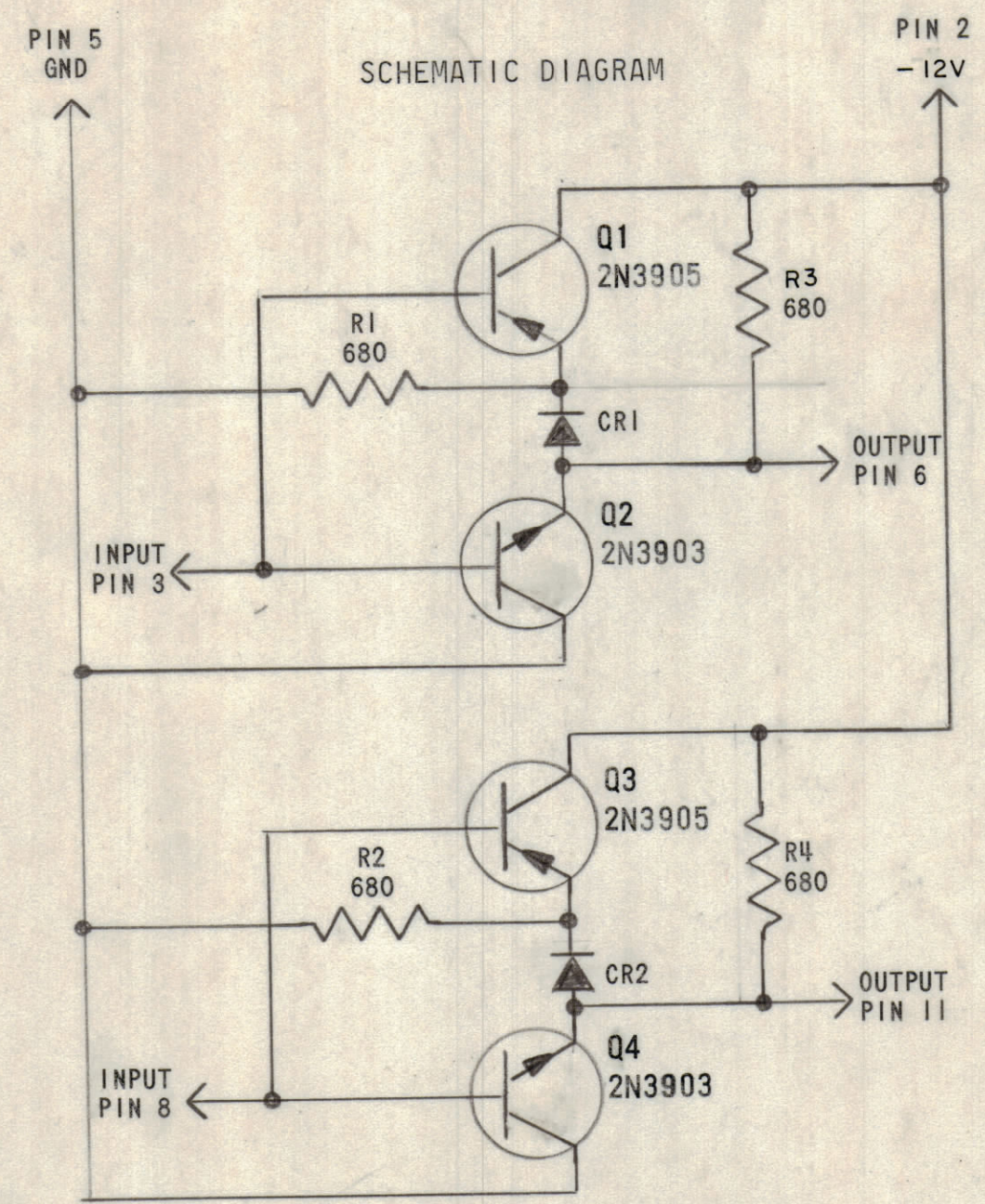
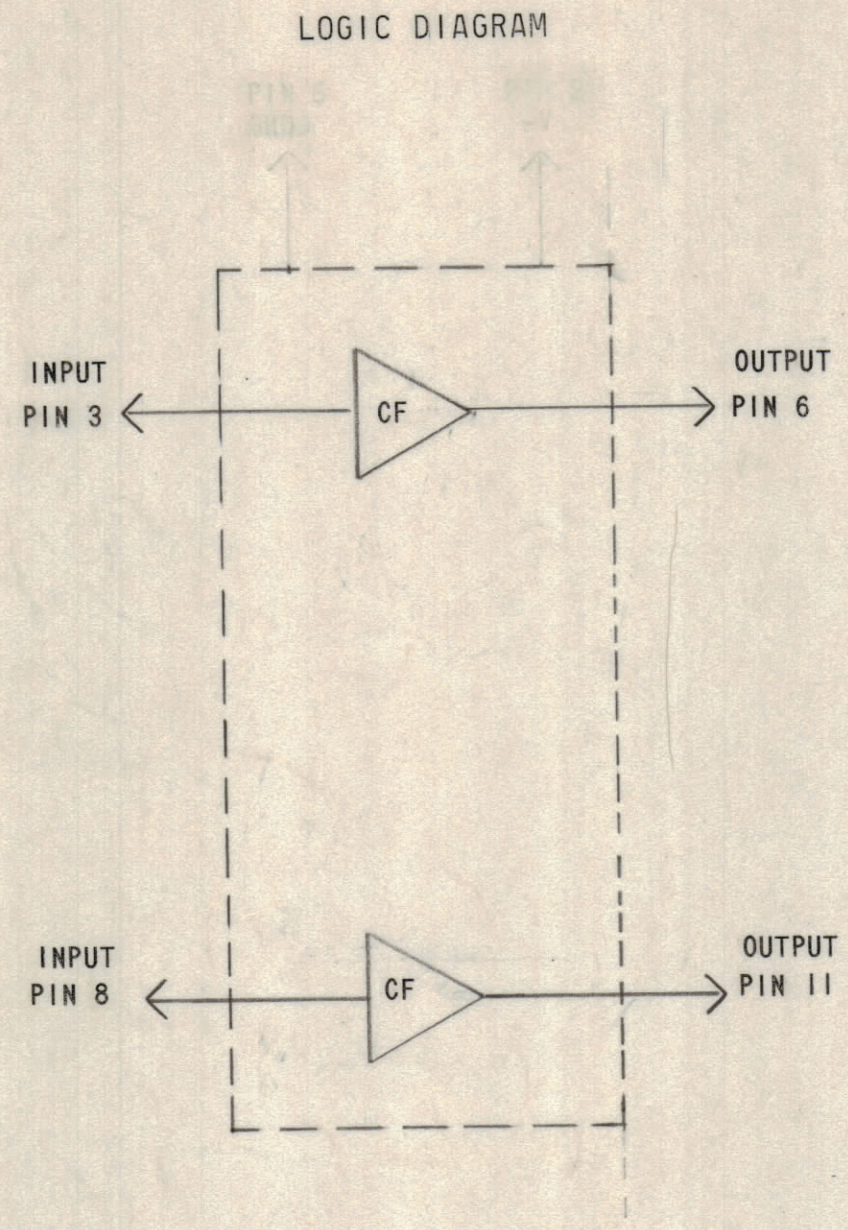
4

3

2

1

REVISIONS						
ZONE	LTR	DESCRIPTION	DATE	E.M.N.NO	DRAFT	CHKD APPD
	X	EXPERIMENTAL RELEASE	2/25/69		C.V.	
	X1	ELEC SPEC REVISED	11/19/69		K.H. KD	
	X2	12 VOLT LOGIC TO ELEC. SPEC. ADD.	11/16/69		K.H. KD	
	Ø	ORIGINAL RELEASE FOR PRODUCTION	10/4/70		C.V.	



RESISTORS ARE IN OHMS, 1/4W 5%
DIODES ARE IN914

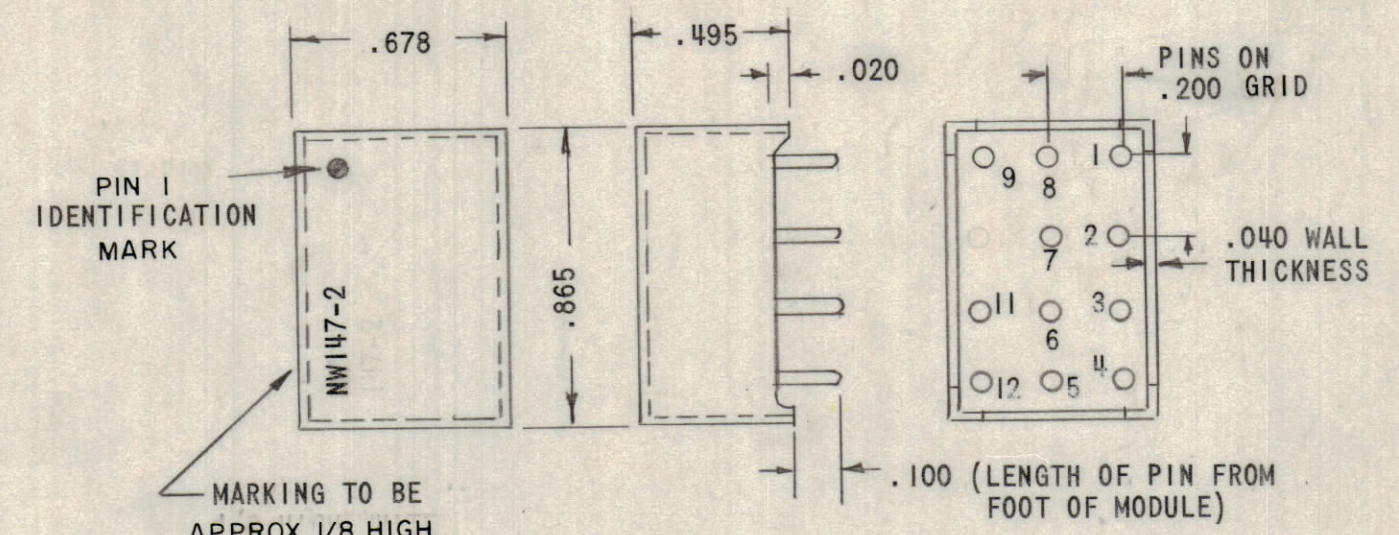
RESISTORS ARE IN OHMS 1/4 WATT, ± 5% DIODES ARE IN914

TMC PART NUMBER SHALL APPEAR IN THE FOLLOWING FORM:

NW 147 - 2
 BASIC DWG NUMBER AMOUNT OF COMPL. EMITTER FOLLOWERS PER MODULE

ELECTRICAL SPECIFICATIONS
 12 VOLT LOGIC
 PIN 5 GND
 PIN 2 -12V
 OPERATING TEMP 0°C TO +75°C
 SWITCHING CHARACTERISTICS
 EACH INPUT MIN VOLTAGE -5.2 VDC
 EACH OUTPUT MIN VOLTAGE -6.0 VDC

MECHANICAL SPECIFICATIONS:
 POTTING COMPOUND: EPOTEC 509
 CASE MATERIAL: DIALLYL PHTHALATE
 POLARIZING PIN: PIN #10



NOTE:
 PINS ARE EXTRUDED COMPONENT LEADS
 (DO NOT USE TRANSISTOR LEADS FOR MOUNTING PINS)

QTY. REQ.	ITEM	PART NO.	DESCRIPTION	SYMBOL
LIST OF MATERIAL				
THE TECHNICAL MATERIEL CORP. MAMARONECK, NEW YORK NETWORK, DIGITAL COMPLEMENTARY EMITTER FOLLOWER				
FINAL APPROVAL <i>S. De Marco</i>		DATE 2/24/70	SIZE CODE IDENT. NO. DWG NO. ISSUE C 82679 NW 147 <i>Ø</i>	
MECH. DES. <i>R. J. De Marco</i>		DATE 2-24-70		
ELECT. DES.		DATE		
CHECKED <i>J. H. De Marco</i>		DATE 2/23/69		
DRAWN <i>C.V.</i>		DATE 2/25/69	SCALE	
MATERIAL		SHEET		OF
FINISH		SHEET		OF

QTY / UNIT	MODEL USED ON	ASS'Y NO.
	DDRR-10M, 10K	
APPLICATION		
	CODE	
NOTICE TO PERSONS RECEIVING THIS DRAWING THE TECHNICAL MATERIEL CORPORATION claims proprietary right in the material disclosed hereon. This drawing is issued in confidence for engineering information only and may not be reproduced or used to manufacture anything shown hereon without permission from THE TECHNICAL MATERIEL CORPORATION to the user. This drawing is loaned for mutual assistance and is subject to recall at any time.		

D

C

B

A