

NW 143-42

REVISIONS						
ZONE	LTR	DESCRIPTION	DATE	E.M.N.NO	DRAFT	CHKD APPD
	X	EXP. RELEASE	9/25/68		KH	
	X1	REV. & UPDATED	11/13/69		KH	
	X2	12 VOLT LOGIC TO ELEC. SPEC. ADD	11/16/69		KH	
	Ø	ORIGINAL RELEASE FOR PRODUCTION	12/10/70		W	

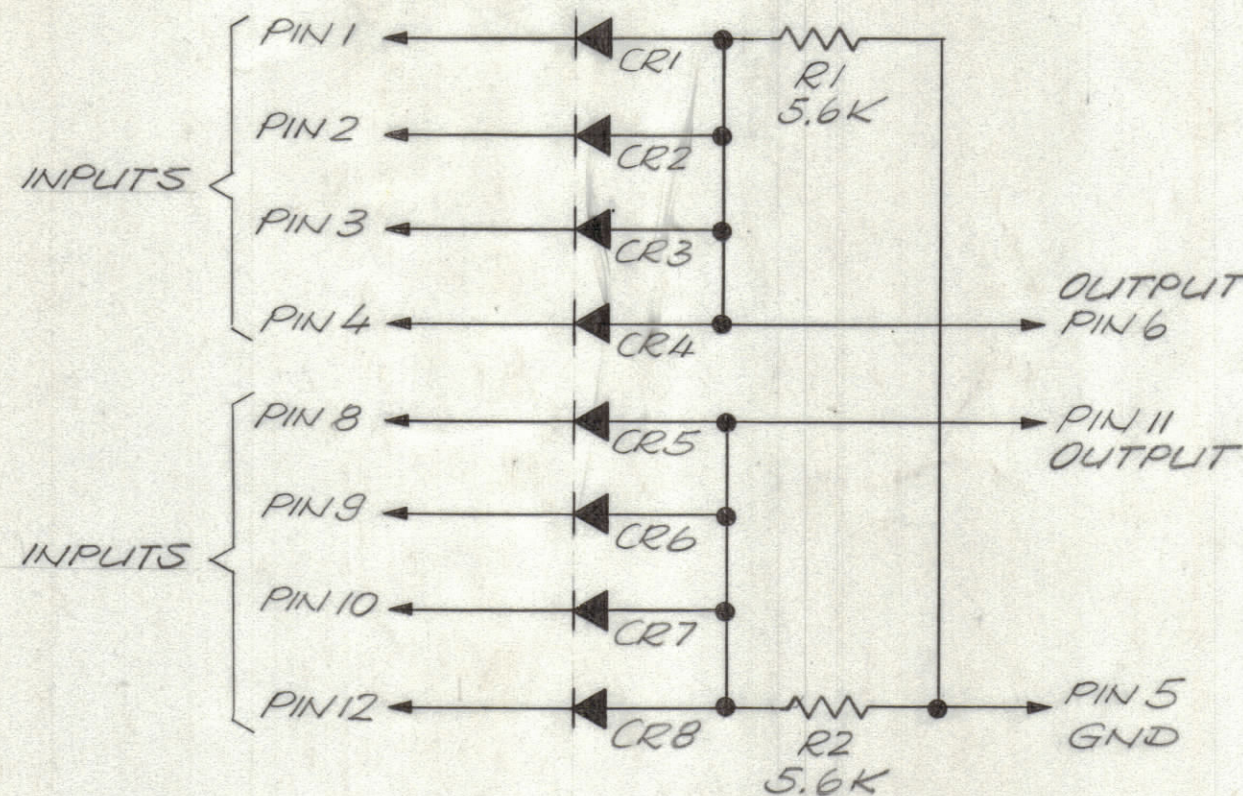
ELECTRICAL SPECIFICATIONS:

12 VOLT LOGIC  
 PIN 5 - GND  
 OPERATING TEMPERATURE 0°C TO +75°C  
 SWITCHING CHARACTERISTICS  
 EACH INPUT MIN. VOLTAGE - 6.6 VDC  
 EACH OUTPUT MIN. VOLTAGE - 6.0 VDC

MECHANICAL SPECIFICATIONS:

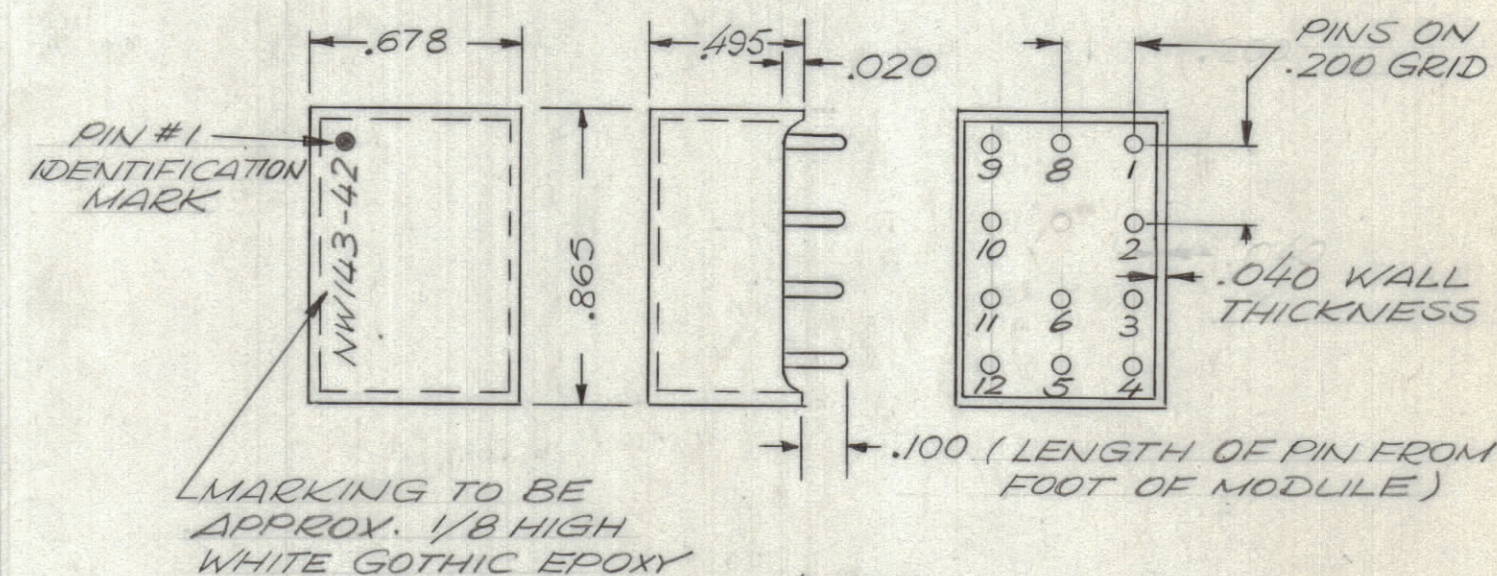
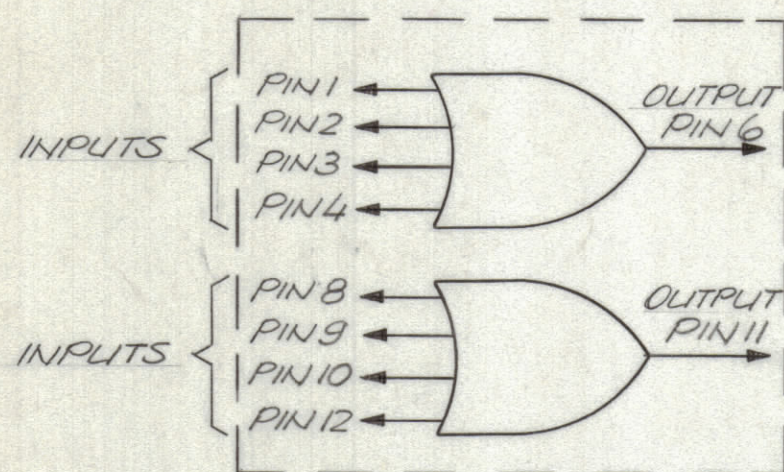
POTTING COMPOUND: EPOTEC 509  
 CASE MATERIAL: DIALLYL PHTHALATE.  
 POLARIZING PIN: PIN # 7

SCHEMATIC DIAGRAM



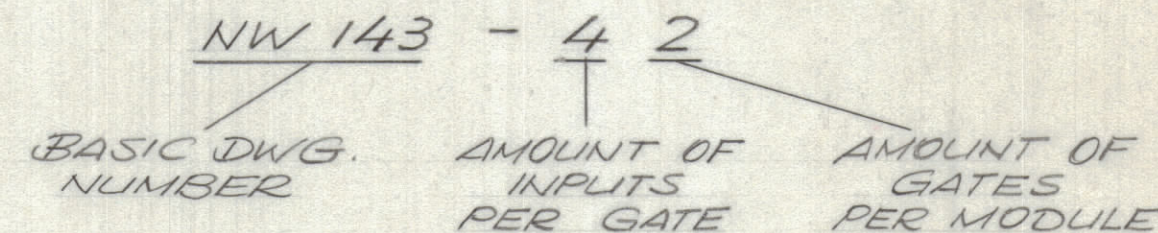
ALL RESISTORS ARE IN OHMS 1/4 W ± 5%  
 ALL DIODES ARE 1N914

LOGIC DIAGRAM



MARK AS REQ.:  
 NW 143 - 42

TMC PART NUMBER SHALL APPEAR IN THE FOLLOWING FORM:



QTY. REQ.	ITEM	PART NO.	DESCRIPTION	SYMBOL
-----------	------	----------	-------------	--------

LIST OF MATERIAL

UNLESS OTHERWISE SPECIFIED DIMENSIONS ARE IN INCHES AND INCLUDE CHEMICALLY APPLIED OR PLATED FINISHES		FINAL APPROVAL <i>S. De Marco</i>	DATE 2/24/70
TOLERANCES ON		MECH. DES. <i>K. 11370</i>	DATE 2-24-70
DECIMALS	FRACTIONS	ELECT. DES.	DATE
.X ± .05	± 1/64	CHECKED <i>G. Evangelist</i>	DATE 7/24/69
.XX ± .01	ANGLES	DRAWN <i>G. Evangelist</i>	DATE 3.25.69
.XXX ± .005	± 0° -30'		

THE TECHNICAL MATERIEL CORP.  
 MAMARONECK, NEW YORK

NETWORK, DIGITAL  
 OR GATE

QTY / UNIT	DDRR - 10M, K	ASS'Y NO.
APPLICATION		
CODE		
MATERIAL		
FINISH		
NOTICE TO PERSONS RECEIVING THIS DRAWING THE TECHNICAL MATERIEL CORPORATION claims proprietary right in the material disclosed hereon. This drawing is issued in confidence for engineering information only and may not be reproduced or used to manufacture anything shown hereon without permission from THE TECHNICAL MATERIEL CORPORATION to the user. This drawing is loaned for mutual assistance and is subject to recall at any time.		

SIZE	CODE IDENT. NO.	DWG NO.	ISSUE
C	82679	NW 143	Ø
SCALE	SHEET		OF