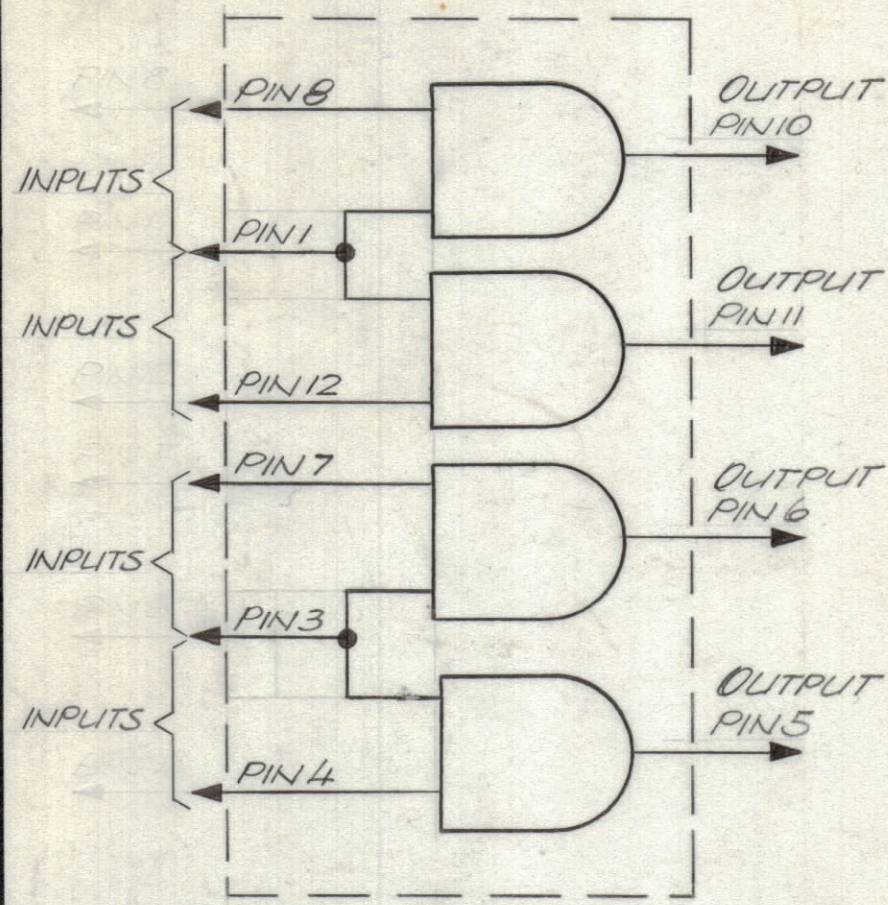
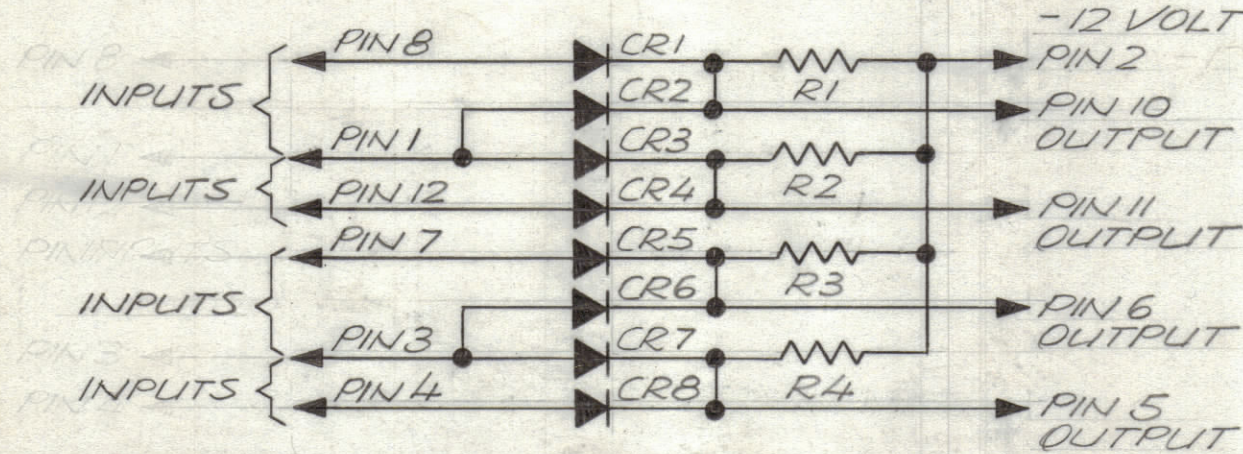


NW 142-24

LOGIC DIAGRAM



SCHEMATIC DIAGRAM

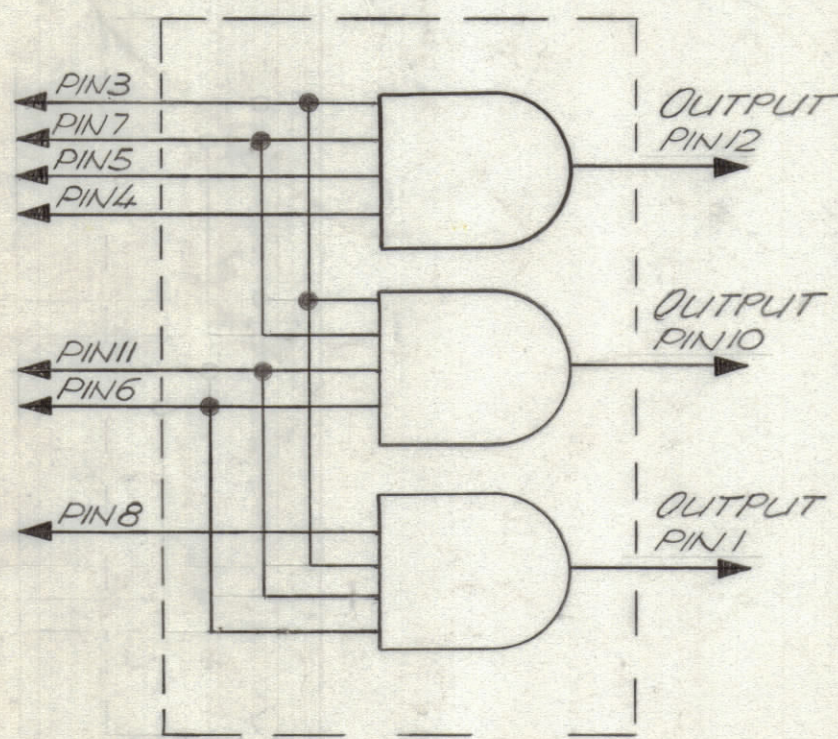


ALL RESISTORS ARE 1.2 K OHMS,  
1/4 W, ± 5% ± 5%  
ALL DIODES ARE 1N914

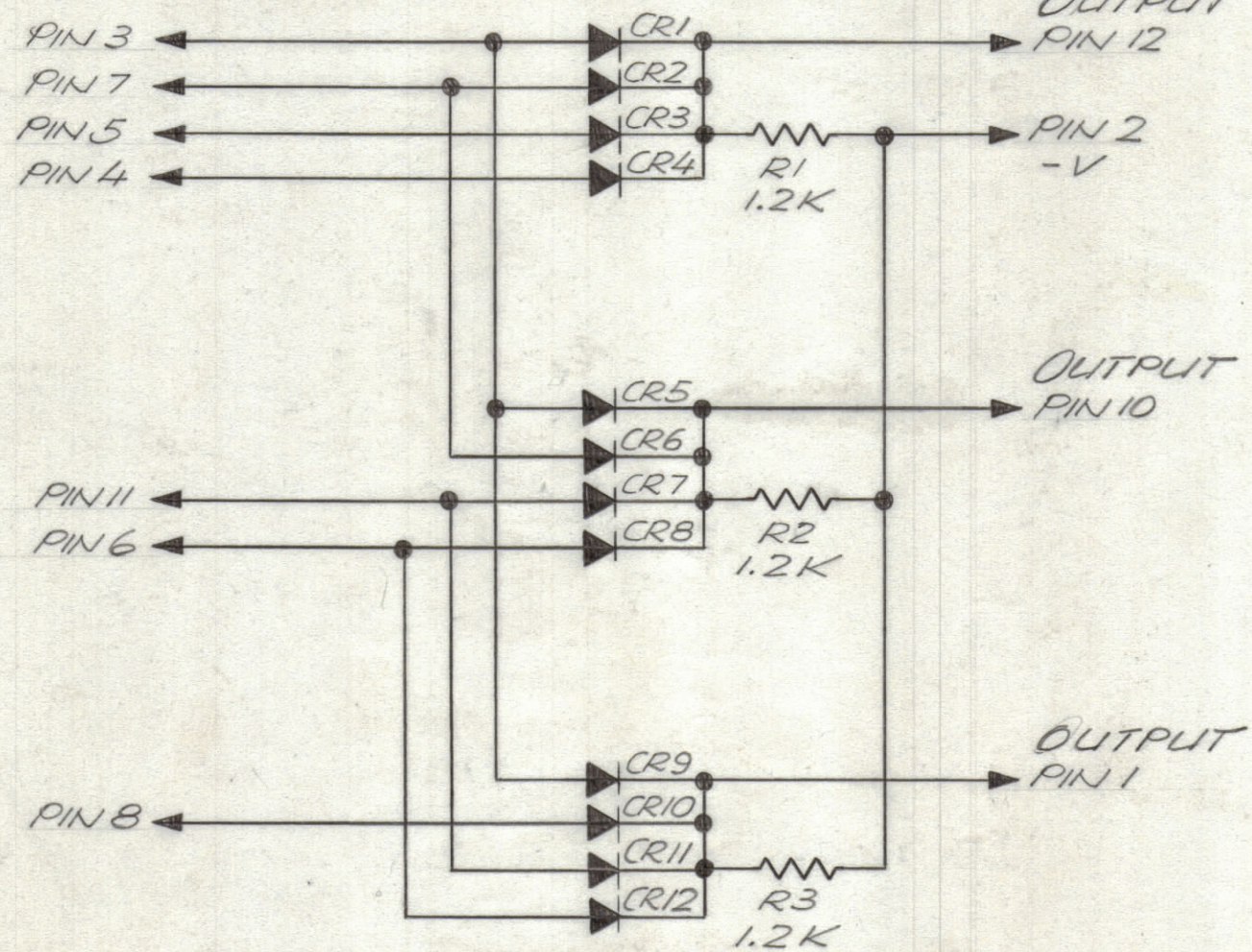
REVISIONS						
ZONE	LTR	DESCRIPTION	DATE	E.M.N.NO	DRAFT	CHKD
	X	EXP. RELEASE	9/11/69			KH.
	X1	REV. & UPDATED	11/3/69			KH. RLD
	X2	SEE SHEET 1 OF 2	11/6/69			KH.
	Ø	ORIGINAL RELEASE FOR PRODUCTION	2/24/70			W.

NW 142-43

LOGIC DIAGRAM



SCHEMATIC DIAGRAM



ALL RESISTORS ARE IN  
OHMS 1/4 W ± 5%  
ALL DIODES ARE 1N914

NOTE: SEE SHEET 1 OF 2 FOR SPECIFICATIONS

QTY. REQ.	ITEM	PART NO.	DESCRIPTION	SYMBOL
-----------	------	----------	-------------	--------

LIST OF MATERIAL

UNLESS OTHERWISE SPECIFIED DIMENSIONS ARE IN INCHES AND INCLUDE CHEMICALLY APPLIED OR PLATED FINISHES		FINAL APPROVAL <i>S. De Marco</i>	DATE 9/24/70
TOLERANCES ON		MECH. DES. <i>R. W. 880</i>	DATE 2-24-70
DECIMALS .X ± .05 .XX ± .01 .XXX ± .005	FRACTIONS ± 1/64 ANGLES ± 0° -30'	ELECT. DES.	DATE
MATERIAL		CHECKED <i>H. Lee</i>	DATE 9/24/69
FINISH		DRAWN <i>G. Evangelista</i>	DATE 3/22/69

THE TECHNICAL MATERIEL CORP.  
MAMARONECK, NEW YORK

NETWORK, DIGITAL  
AND GATE

QTY / UNIT	DDRR-10K, 10M	ASS'Y NO.
APPLICATION		
CODE		
NOTICE TO PERSONS RECEIVING THIS DRAWING THE TECHNICAL MATERIEL CORPORATION claims proprietary right in the material disclosed herein. This drawing is issued in confidence for engineering information only and may not be reproduced or used to manufacture anything shown herein without permission from THE TECHNICAL MATERIEL CORPORATION to the user. This drawing is loaned for mutual assistance and is subject to recall at any time.		

SIZE	CODE IDENT. NO.	DWG NO.	ISSUE
C	82679	NW 142	Ø
SCALE			SHEET 2 OF 2