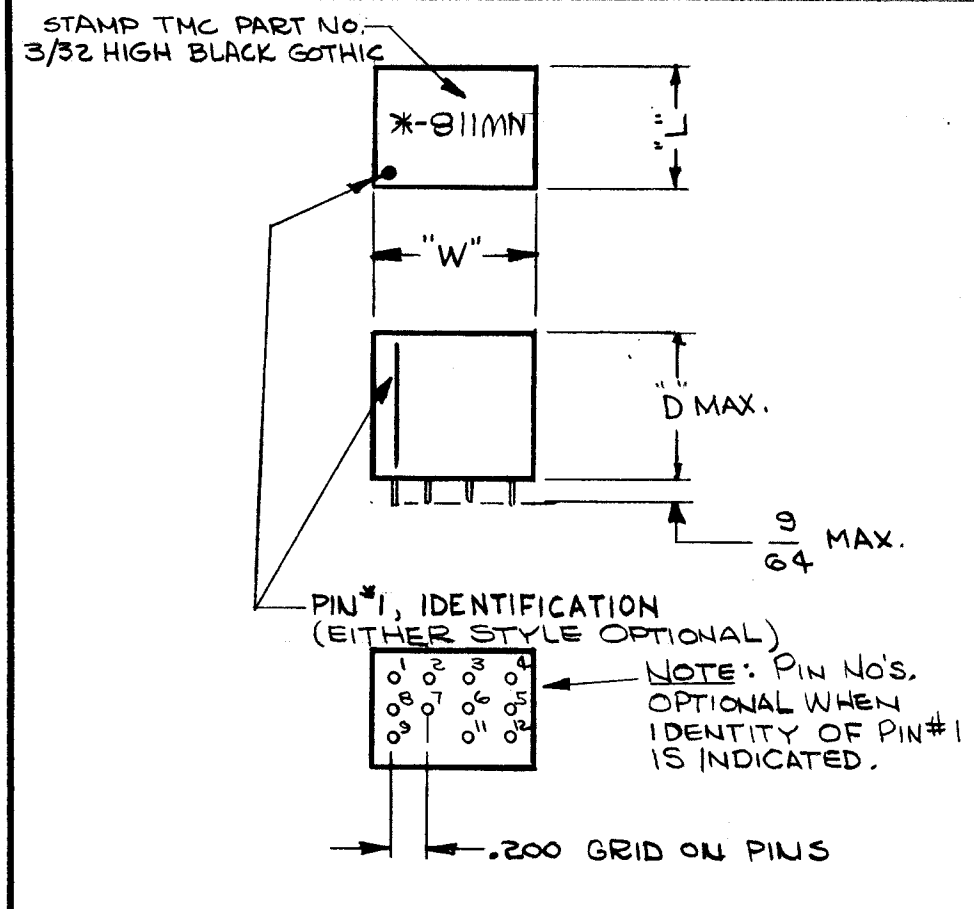


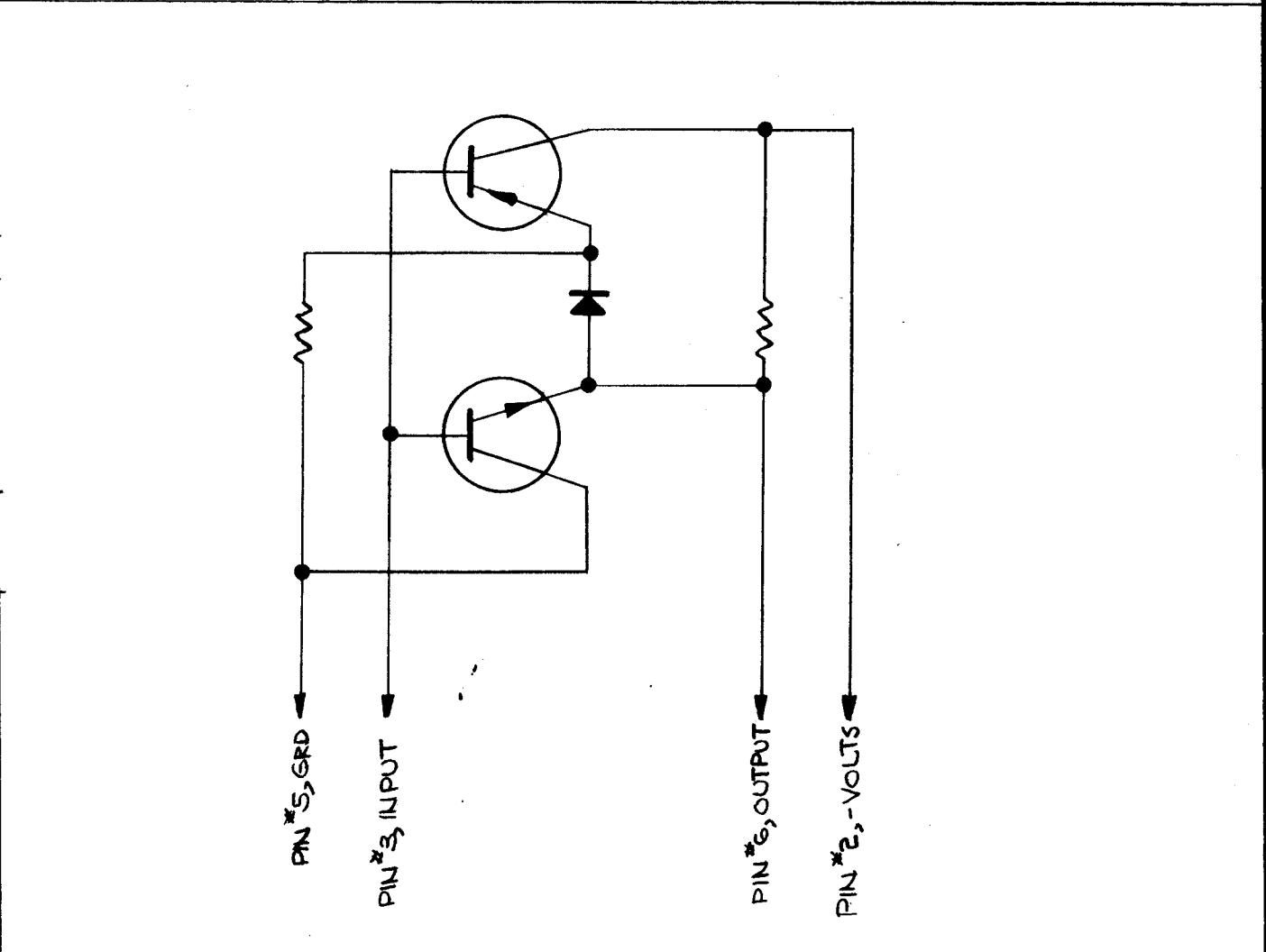
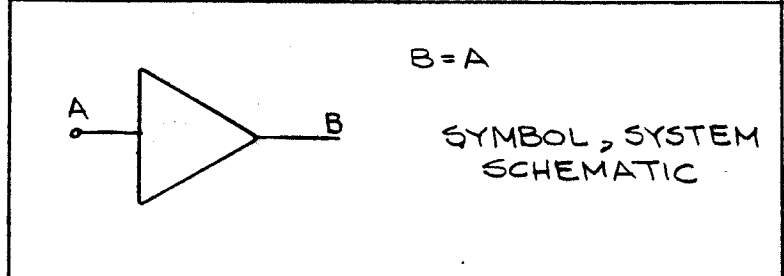
TMC PART NUMBER	MFG. PART NUMBER	MFG. TYPE NUMBER	SWITCHING CHAR.	SIZES			OPERATING TEMPERATURE
				"W"	"L"	"D"	
NW118	730B0062	CF11-1	A or B	.800	.630	.770	-35°C TO + 65°C
NW118-11	730B0062	CF11-1-A	A OR B	.800	.630	.770	-35°C TO + 85°C
NW118-21	730B0062	CF11-1-B	A OR B	.800	.630	.460	-35°C TO + 85°C

REVISIONS						
SYM	DESCRIPTION	DATE	E.M.N. NO.	DRAFT	CHKD	APPD
X	EXPER. RELEASE	12-16-64	X			
X	CLARIFICATION OF DWG	1-4-65	X1			
Ø	ORIGINAL RELEASE FOR PRODUCTION	1-14-65	Ø			
A	P/N NW118 WAS NW118-1	6-22-65	14204	D.V.V.	JCF	JCE
B	NW118-11, #21, OPER. TEMP. COL. ADDED. NOTE 2 DELETED	6-29-65	14367	D.V.V.	JCF	JCE
C	PICTORIAL REVISED, NOTE 2 ADDED	5-3-66	16184	NLA	JCF	JCE
D	DIM. 460 WAS .375 & MAX. ADDED TO "D" DIM	9/11/67	18484	H.G.	JCF	EE

D
NW118



SWITCHING CHARACTERISTICS	
A-Ø VOLTS LOGIC	B-12 VOLTS LOGIC
INPUT	INPUT
-4.0 V MIN.	-6.5 V MIN.
OUTPUT	OUTPUT
-3.5 V MIN.	-6.0 V MIN.



NOTE:
 1. USABLE ON NEGATIVE OR POSITIVE LOGIC.
 2. POLARIZING PIN IS PIN # 10.

NOTES

RTMU-1	
Q'TY./UNIT	MODEL USED ON
SCALE 1:1	ASS'Y. NO. S401-167
THE CONTENTS OF THIS DRAWING ARE THE EXCLUSIVE PROPERTY OF THE TECHNICAL MATERIEL CORP. ITS UNAUTHORIZED USE OR REPRODUCTION IN WHOLE OR IN PART IS STRICTLY FORBIDDEN.	

REQ'D.	ITEM	PART NUMBER	DESCRIPTION	SYMBOL
EATON LIST OF MATERIAL				
MATERIAL		THE TECHNICAL MATERIEL CORP. MAMARONECK, NEW YORK		
FINISH		TITLE NETWORK, DIGITAL COMPLIMENTARY EMITTER FOLLOWER		
UNLESS OTHERWISE SPECIFIED DIMENSIONS ARE IN INCHES AND INCLUDE CHEMICALLY APPLIED OR PLATED FINISHES		DRAWN: <i>[Signature]</i> CHECKED: <i>[Signature]</i> ELECT. DES.: <i>[Signature]</i> MECH. DES.: <i>[Signature]</i>	DATE 12-16-64 DATE 1-13-65 DATE 1-13-65	FINAL APPROVAL: <i>[Signature]</i> DATE SHEET
DECIMALS .X ± .05 .XX ± .01 .XXX ± .005	TOLERANCES	FRACTIONS ± 1/64 ANGLES ± 0° 30'	NW118 D REV. LTR.	