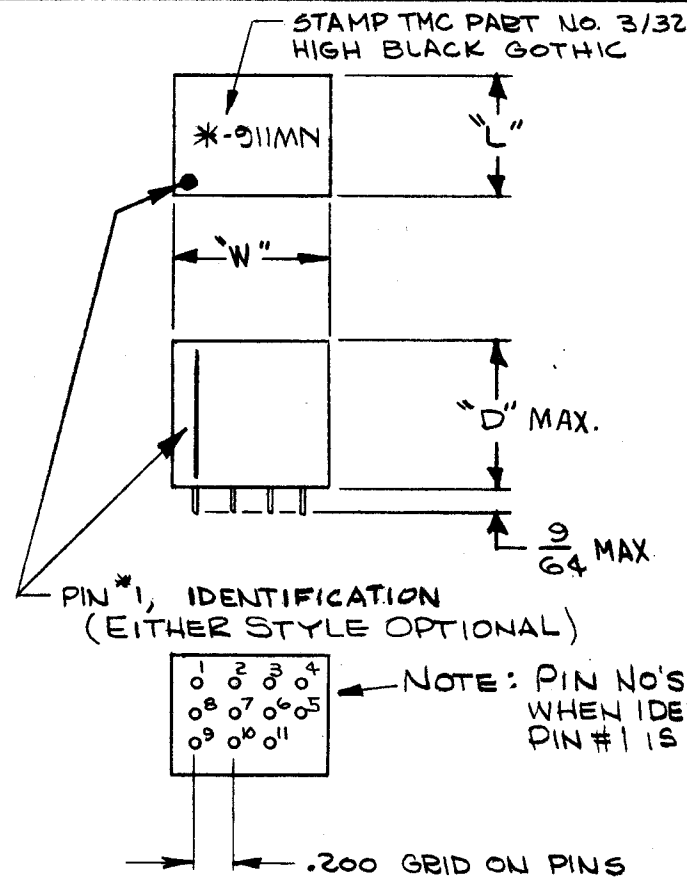


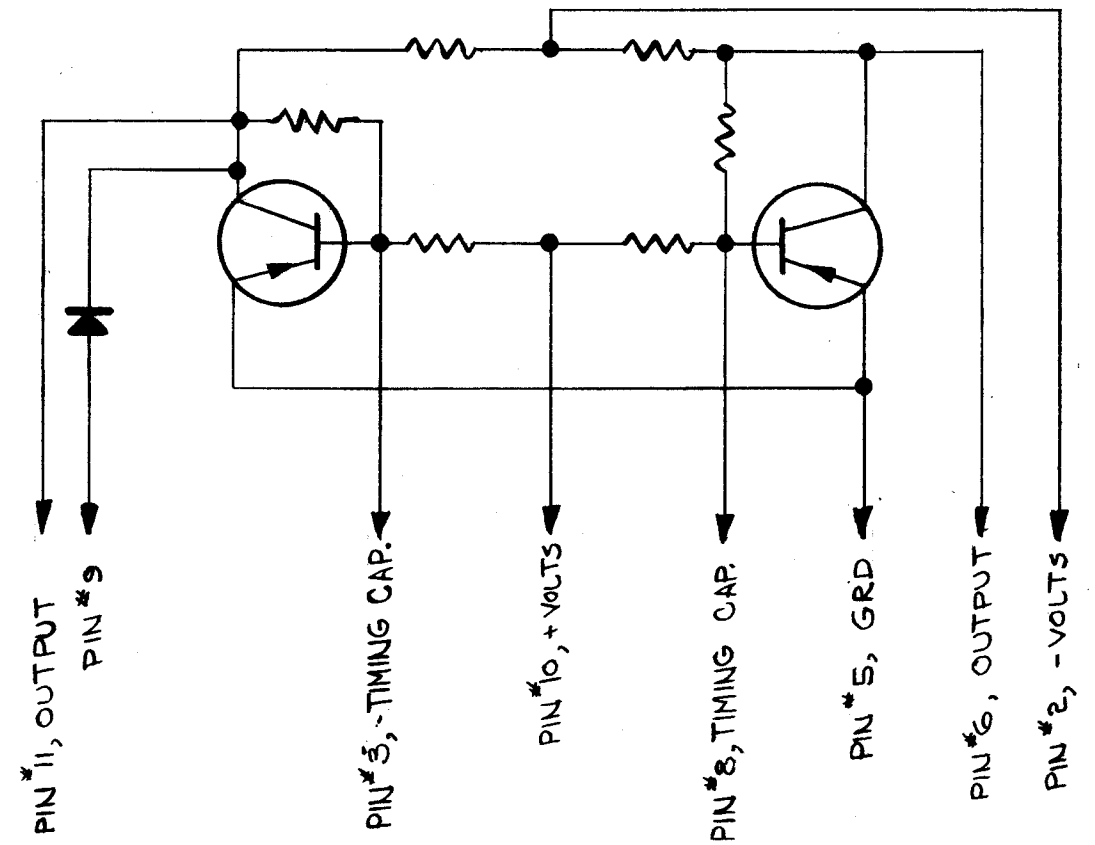
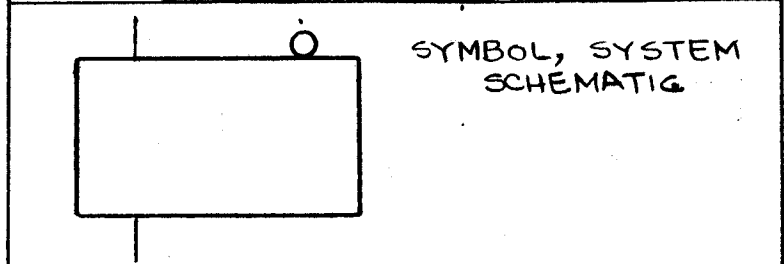
TMC PART NUMBER	MFG. PART NUMBER	MFG. TYPE NUMBER	SWITCHING CHAR.	SIZES			OPERATING TEMPERATURE
				"W"	"L"	"D"	
NW116	730B0051	CG11-1	A or B	.800	.630	.770	-35°C TO +65°C
NW116-11	730B0051	CG11-1-A	A OR B	.800	.630	.770	-35°C TO +85°C
NW116-21	730B0051	CG11-1-B	A OR B	.800	.630	.460	-35°C TO +85°C

D
NW116

REVISIONS						
SYM	DESCRIPTION	DATE	E.M.N. NO.	DRAFT	CHKD	APPD
X	EXPER. RELEASE	12-16-64	X			
X1	ON SCH. (1) RESISTOR RELOCATED (LEFT SIDE)	1-4-65	X1		JM	
	ORIGINAL RELEASE FOR PRODUCTION	4-23-65				
A	P/N NW116 WAS NW116-1	6-22-65	14204	DXV.	JCB	JCE
B	NW116-11 & NW116-21 OPER. TEMP. COL. ADDED OPER. TEMP. NOTE DELETED	6/29/65	14367	DXV.	JCB	JCE
C	PICTORIAL REVISED, NOTE 2 ADDED	5/2/66	16184	HLA	JCB	JCE
D	DIM. .460 WAS .375 & MAX. ADDED TO "D" DIM	9/11/67	18484	H.G.	JCB	JCE



SWITCHING CHARACTERISTICS	
A-6 VOLTS LOGIC OUTPUT	B- 12 VOLTS LOGIC OUTPUT
AMPLITUDE, -4.5 V MIN.	AMPLITUDE, -9.0 V MIN.
TR LESS THAN .2μsec	TR LESS THAN .2μ sec
TF DEPENDS ON EXTERNAL CAPACITOR	TF DEPENDS UPON EXTERNAL CAP.



NOTE:
1. USABLE ON NEGATIVE OR POSITIVE LOGIC.
2. POLARIZING PIN IS PIN #12.

NOTES

RTMU-1	
Q'TY./UNIT	MODEL USED ON
SCALE 1:1	CODE C
	ASS'Y. NO. 5401-167

THE CONTENTS OF THIS DRAWING ARE THE EXCLUSIVE PROPERTY OF THE TECHNICAL MATERIEL CORP. ITS UNAUTHORIZED USE OR REPRODUCTION IN WHOLE OR IN PART IS STRICTLY FORBIDDEN.

REQ'D.	ITEM	PART NUMBER	DESCRIPTION	SYMBOL
EATON LIST OF MATERIAL				
MATERIAL		EPOXY (PINK)	THE TECHNICAL MATERIEL CORP. MAMARONECK, NEW YORK	
FINISH			TITLE NETWORK, DIGITAL CLOCK GENERATOR	
UNLESS OTHERWISE SPECIFIED DIMENSIONS ARE IN INCHES AND INCLUDE CHEMICALLY APPLIED OR PLATED FINISHES		DRAWN by Juncos	DATE 12-16-64	FINAL APPROVAL J E Eaton
		CHECKED @	DATE 1-25-65	DATE 4/6/65
DECIMALS .X ± .05 .XX ± .01 .XXX ± .005		FRACTIONS ± 1/64 ANGLES ± 0° 30'		TOLERANCES
		ELECT. DES.	DATE 1-25-65	SHEET
		MECH. DES.		REV. LTR.