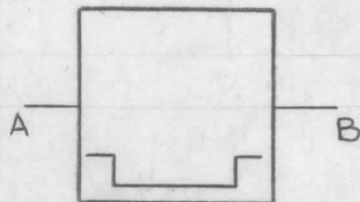


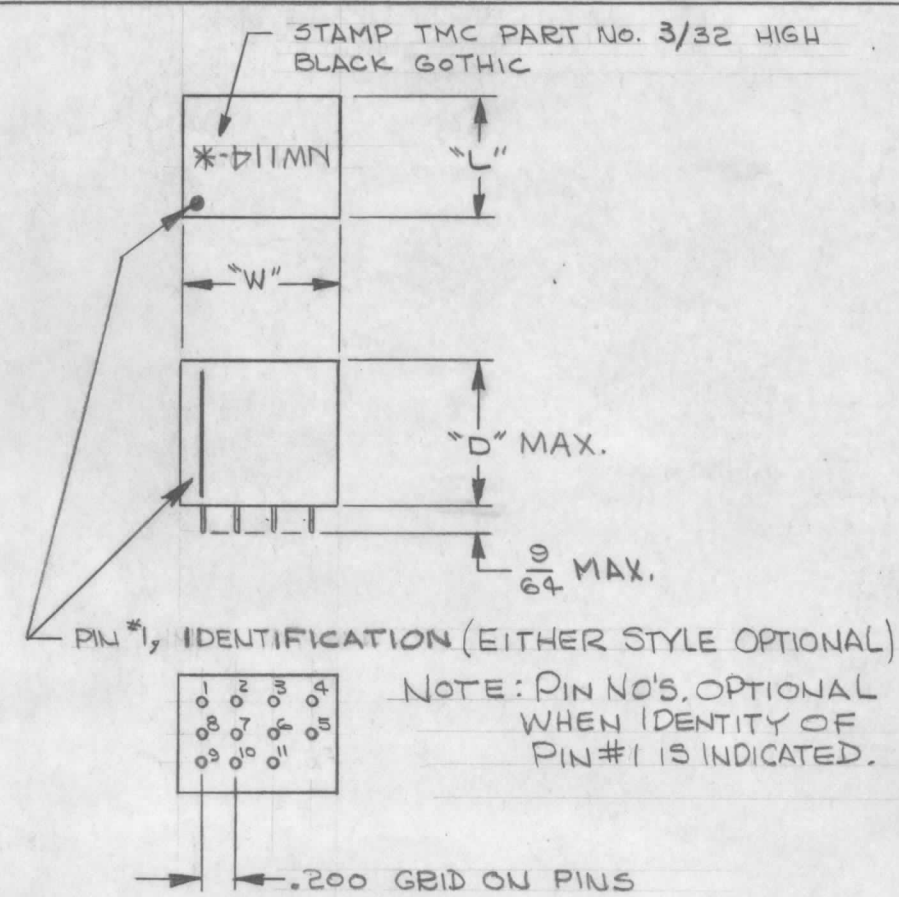
TMC PART NUMBER	MFG. PART NUMBER	MFG. TYPE NUMBER	SWITCHING CHAR.	SIZES			OPER. TEMP.
				"W"	"L"	"D"	
NW114-1	730B0050	LT11-1	A or B	.800	.630	.770	-35°C to +65°C
NW114-2I	730B0050	LT11-1-B	A OR B	.800	.630	.460	-35°C to +85°C



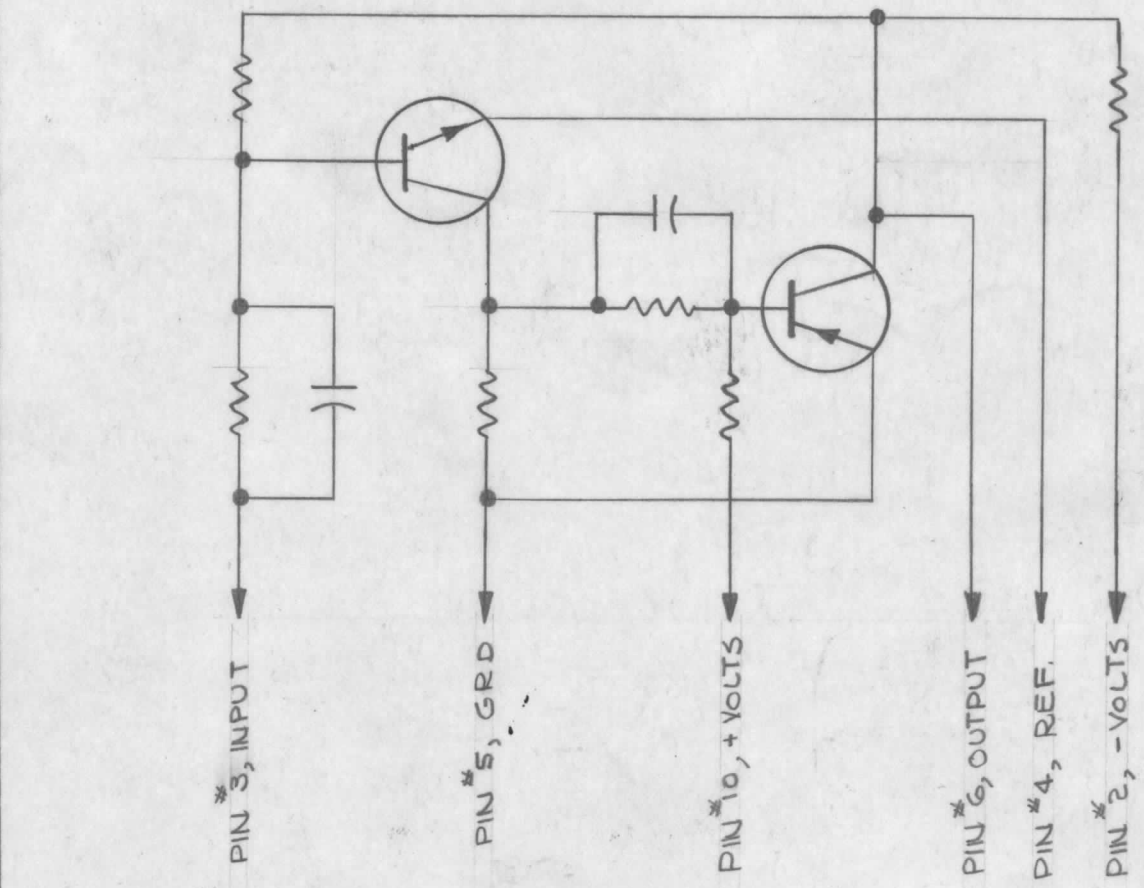
SYMBOL, SYSTEM SCHEMATIC  
B=A

NW114

REVISIONS						
SYM	DESCRIPTION	DATE	E.M.N. NO.	DRAFT	CHKD	APPD
X	EXPER. RELEASE	12-16-64	X			
X1	SYM SCHE., LETTERS ADDED	1-4-65	X1		J.M	
Ø	ORIGINAL RELEASE FOR PRODUCTION	4-23-65	Ø			
A	NW114-2I, ADDED-NOTE DELETED (OPER TEMP)	6-29-65	14367	DVV	JCB	JEE
B	PICTORIAL REVISED, NOTE 2 ADDED	5-2-66	16184	HLA	JCB	JEE
C	.460 DIM, WAS .375 & MAX. ADDED TO "D" DIM	9/11/67	18484	H.G.	JCB	FE



SWITCHING CHARACTERISTICS	
A-6 VOLTS LOGIC	B-12 VOLTS LOGIC
INPUT	INPUT
AMPLITUDE, -4.0V TON-8.0 V. TR ANY VALUE TF ANY VALUE REF. VOLTAGE -2 TO -4V.	AMPLITUDE, -6V TO -10 V. TR ANY VALUE TF ANY VALUE REF. VOLTAGE -4 TO -8V.
OUTPUT	OUTPUT
AMPLITUDE, -6V TR LESS THAN .15µ sec TF LESS THAN .3µ sec	AMPLITUDE, -12V TR LESS THAN .15µ sec TF LESS THAN .3µ sec



NOTE:  
1-USABLE ON NEGATIVE OR POSITIVE LOGIC.  
2-POLARIZING PIN IS PIN #12.

NOTES

OPERATING TEMPERATURE: -35°C TO +85°C		
Q'TY./UNIT	MODEL USED ON	ASS'Y. NO.
SCALE 1:1	CODE C	3401-167
THE CONTENTS OF THIS DRAWING ARE THE EXCLUSIVE PROPERTY OF THE TECHNICAL MATERIEL CORP. ITS UNAUTHORIZED USE OR REPRODUCTION IN WHOLE OR IN PART IS STRICTLY FORBIDDEN.		

REQ'D.	ITEM	PART NUMBER	DESCRIPTION	SYMBOL
EATON LIST OF MATERIAL				
MATERIAL		EPOXY (GREEN)		
FINISH		GREEN		
TITLE		THE TECHNICAL MATERIEL CORP. MAMARONECK, NEW YORK		
TITLE		NETWORK, DIGITAL LEVEL TRIGGER		
UNLESS OTHERWISE SPECIFIED DIMENSIONS ARE IN INCHES AND INCLUDE CHEMICALLY APPLIED OR PLATED FINISHES	DRAWN	DATE	FINAL APPROVAL	DATE
	G. Secor	12-16-64	J.E. Eaton	4/23/65
	CHECKED @	DATE 1-25-65		
DECIMALS .X ± .05 .XX ± .01 .XXX ± .005	FRACTIONS ± 1/64 ANGLES ± 0° 30'	ELECT. DES.	DATE	
TOLERANCES		MECH. DES.	DATE	
			1-25-65	
SHEET				REV. LTR.
NW114				C