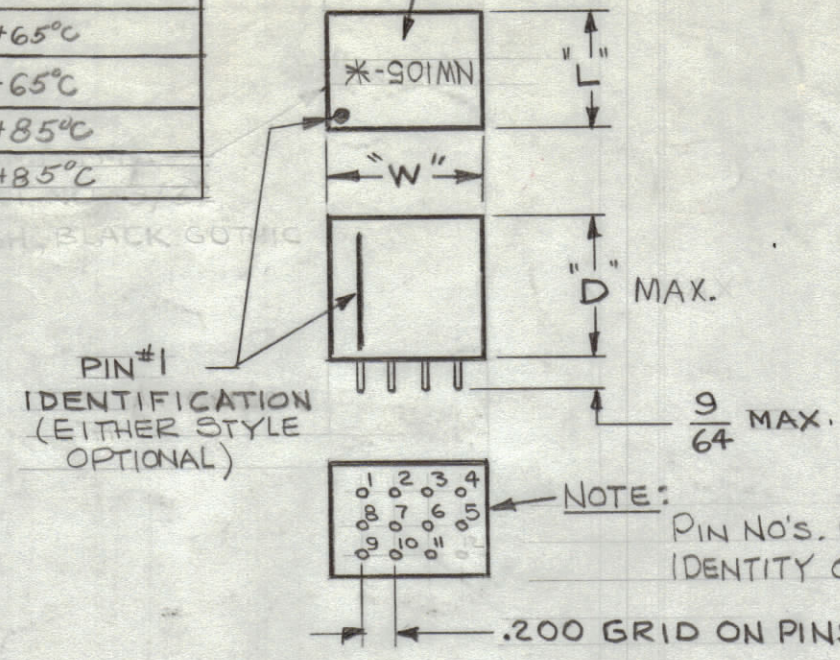


TMC P/N	MFG P/N	MFG TYPE	SWITCHING CHARACTERISTICS	SIZE (INCH)			OPERATING TEMPERATURE
				"W"	"L"	"D"	
NW105-1	73080042	IN 12-1	A OR B	.800	.630	.770	-35°C TO +65°C
-2	41	IN 11-1					-35°C TO +65°C
-3	43	IN 12-2					-35°C TO +65°C
-11		IN 12-1-A				.770	-35°C TO +85°C
NW105-21		IN 12-1-B	A OR B	.800	.630	.460	-35°C TO +85°C

STAMP TMC PART NO. 3/32
HIGH, BLACK GOTHIC

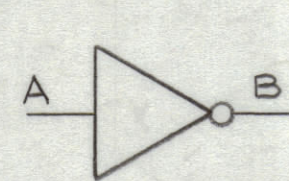
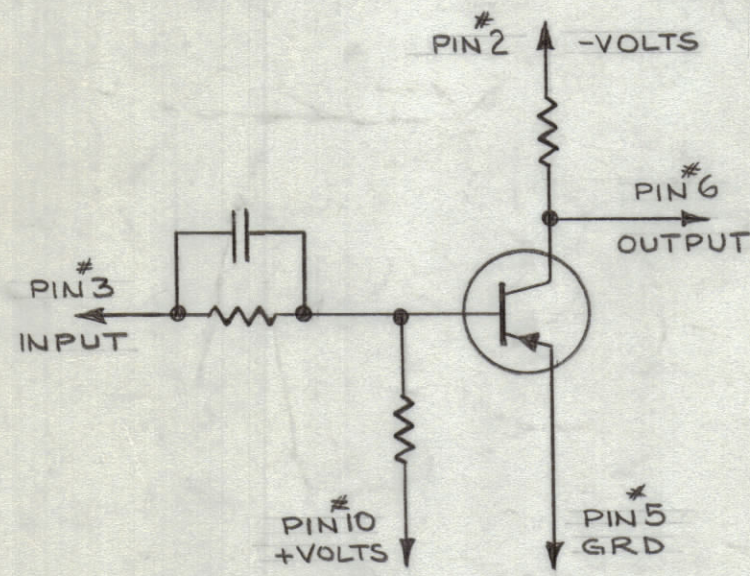


NOTE:
POLARIZING PIN IS PIN #12.

REVISIONS						
ZONE	SYM	DESCRIPTION	DATE	E.M.N. NO.	DRAFT	CHKD
-#	X	EXPERIMENTAL RELEASE	12.18.64	X	JB	
-#	X1	CLARIFICATION	1-4-65	X1	JB	JM
	X2	NW105-1, 2 MFGR NO & TYPE CLARIFIED	4/27	X2	JB	JM
	Ø	ORIGINAL RELEASE FOR PRODUCTION	4/27	Ø	JB	
	A	NW105-11, 21 ADDED. NOTE 2 DELETED	6/30/65	14367	D.V.V.	JB
	B	REVISED PICTORIAL, POLARIZING NOTE ADD	5-2-66	16184	HLA	JB
	C	"D" DIM. .460 WAS .375 & MAX. ADDED TO "D" DIM	9-11-67	18484	H.G.	FE

SWITCHING CHARACTERISTIC	
A - 6 VOLTS LOGIC	B - 12 VOLTS LOGIC
INPUT:	INPUT:
AMPLITUDE, -3.5V MIN	AMPLITUDE, -6V MIN
TR UP TO 3 µSEC	TR UP TO 3 µSEC
TF UP TO 5 µSEC	TF UP TO 5 µSEC
OUTPUT:	OUTPUT:
AMPLITUDE, -6V	AMPLITUDE, -12V
TR LESS THAN .1 µSEC	TR LESS THAN .1 µSEC
TF LESS THAN .3 µSEC	TF LESS THAN .3 µSEC

NW105-2

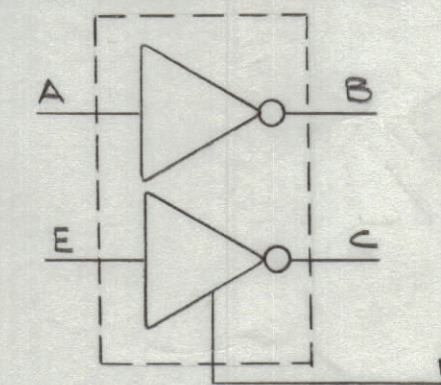
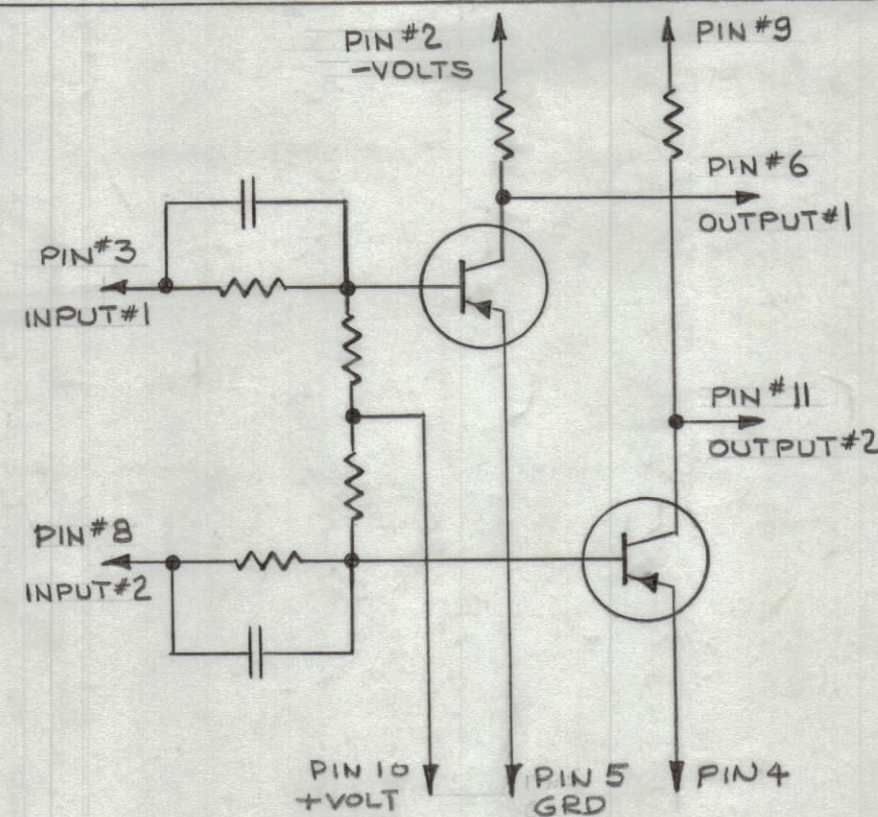


LOGIC EQUATION IS:

$$B = \bar{A}$$

SYMBOL,
SYSTEM SCHEMATIC

NW105-1 / NW105-11 / NW105-21



SYMBOL,
SYSTEM SCHEMATIC

LOGIC EQUATIONS ARE:

$$B = \bar{A}$$

$$C = D + \bar{E}$$

IF B IS CONNECTED TO D, THEN

$$C = B + \bar{E} = \bar{A} + \bar{E} = \overline{A \cdot E}$$

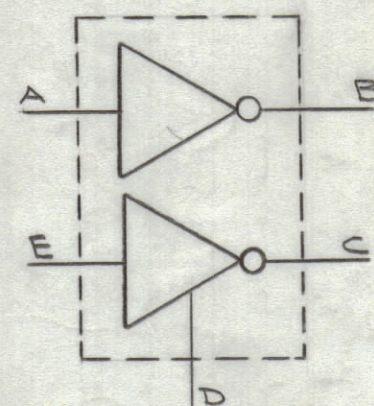
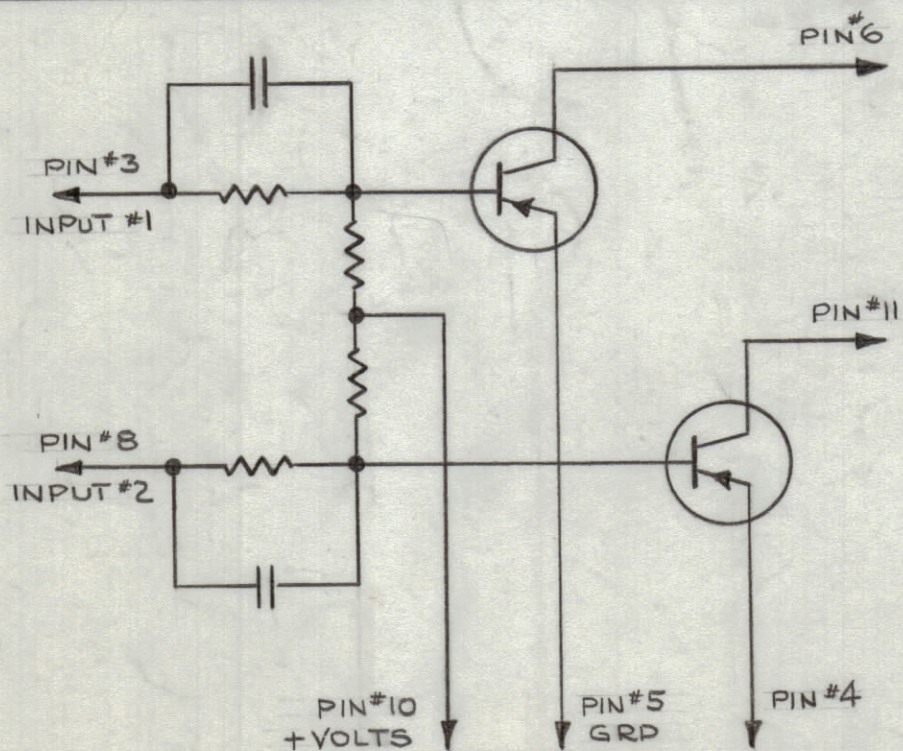
IF B IS CONNECTED TO E (NAND GATE)

$$C = D + \bar{E}$$

$$= D + A$$

SO, IF D IS GROUND, C = A (BUFFER AMPLIFIER)

NW105-3



SYMBOL,
SYSTEM SCHEMATIC

WHEN COLLECTOR LOADS OF 1KΩ ARE CONNECTED, THE LOGIC IMPLEMENTED AND THE SWITCHING CHAR. IS EXACTLY THE SAME AS FOR NW105-2

NOTE:

OPERATING TEMPERATURE: -35°C TO +65°C

REQ'D.	ITEM	PART NUMBER	DESCRIPTION	SYMBOL
EATON LIST OF MATERIAL				
MATERIAL		EPOXY (BLUE)	THE TECHNICAL MATERIEL CORP. MAMARONECK, NEW YORK	
FINISH		BLUE	TITLE NETWORK, DIGITAL INVERTER	
SCALE	1:1	CODE	C	5401-167
UNLESS OTHERWISE SPECIFIED DIMENSIONS ARE IN INCHES AND INCLUDE CHEMICALLY APPLIED OR PLATED FINISHES		DRAWN	JB	DATE 12.18.64
DECIMALS	X ± .05	FRACTIONS	± 1/64	FINAL APPROVAL
.XX ± .01		TOLERANCES	ANGLES ± 0° 30'	DATE 1-27-65
.XXX ± .005				DATE 1-27-65
MECH. DES.		DATE	1-27-65	SHEET
		DATE	1-27-65	SHEET

NOTES

THE CONTENTS OF THIS DRAWING ARE THE EXCLUSIVE PROPERTY OF THE TECHNICAL MATERIEL CORP. ITS UNAUTHORIZED USE OR REPRODUCTION IN WHOLE OR IN PART IS STRICTLY FORBIDDEN.

UNLESS OTHERWISE SPECIFIED DIMENSIONS ARE IN INCHES AND INCLUDE CHEMICALLY APPLIED OR PLATED FINISHES

REV.	DATE	BY	CHKD	APPD
1	12.18.64	JB		
2	1-27-65	JB		

NW105