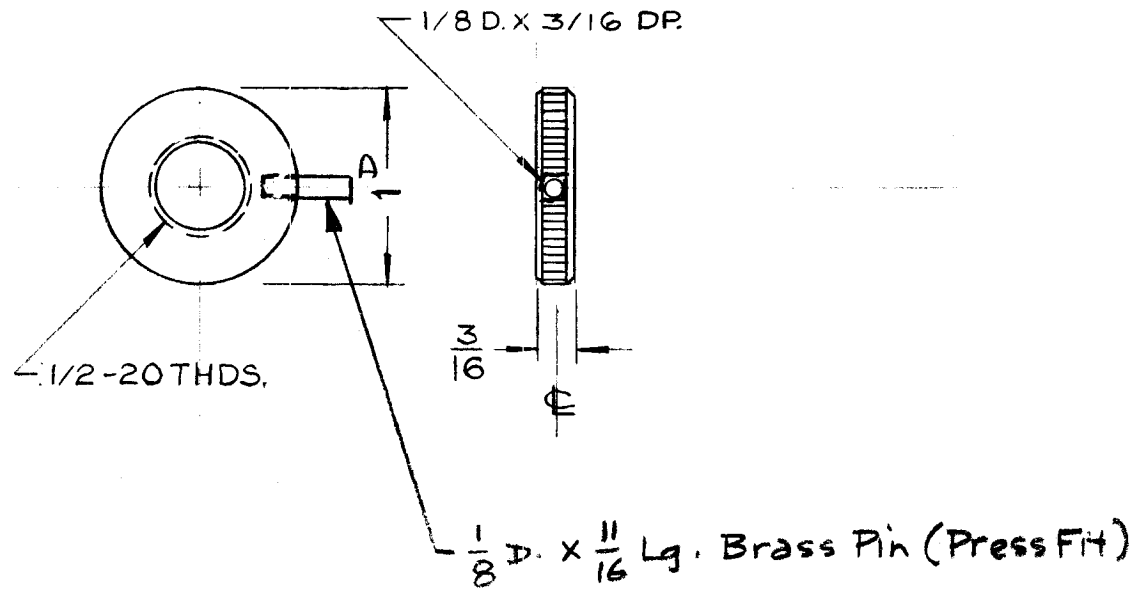


REQ. PER. UNIT	USED ON			NT-130
	MODEL	ASSY. NO.	DATE	
2	GPT-40K	AT-101	3-22-60	



								REQ.	ITEM	PART NO.	DESCRIPTION	SYMBOL			
										THE TECHNICAL MATERIEL CORP. MAMARONECK, NEW YORK					
								STOCK SIZE		NUT, KNURLED,					
								BRASS		ANT. TUNER ROTOR ADJUST					
								MATERIAL							
ISSUE	ITEM	CHANGED FROM	DATE	CH. NO.	DRAFTS	CHECKER	ENG. APP.			<i>CU</i>					
TOLERANCES			SCALE: FULL												
DEC. DIM. ±			MAXIMUM ALLOWABLE TOLERANCES HAVE BEEN DETERMINED AND ANY DEVIATIONS WILL BE CAUSE FOR REJECTION. REMOVE ALL BURRS AND SHARP EDGES					TYPE & TEMPER		DRAWN		CHECKED			
FRAC. DIM. ± 1/64								HEAT TREAT. SPEC.		NICKEL PLATE .0002					
ANGULAR DIM. ±								FINISH & SPEC. NO.				ELEC. DES. APP		MECH. DES. APP	
										NT-130					