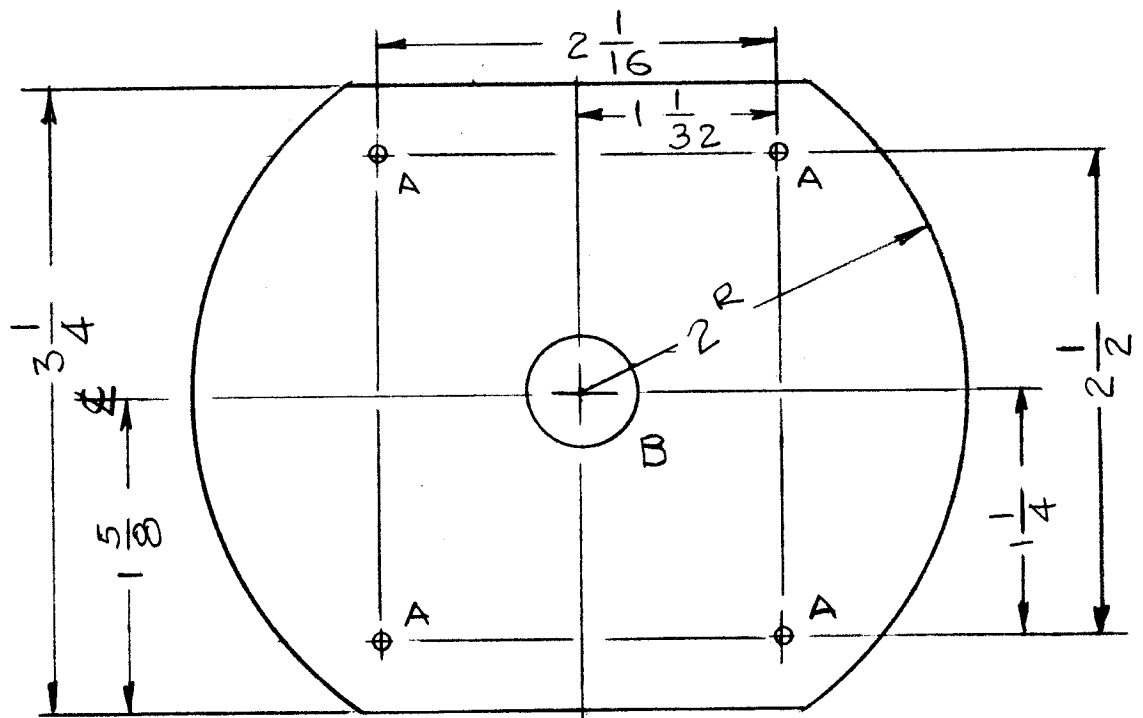
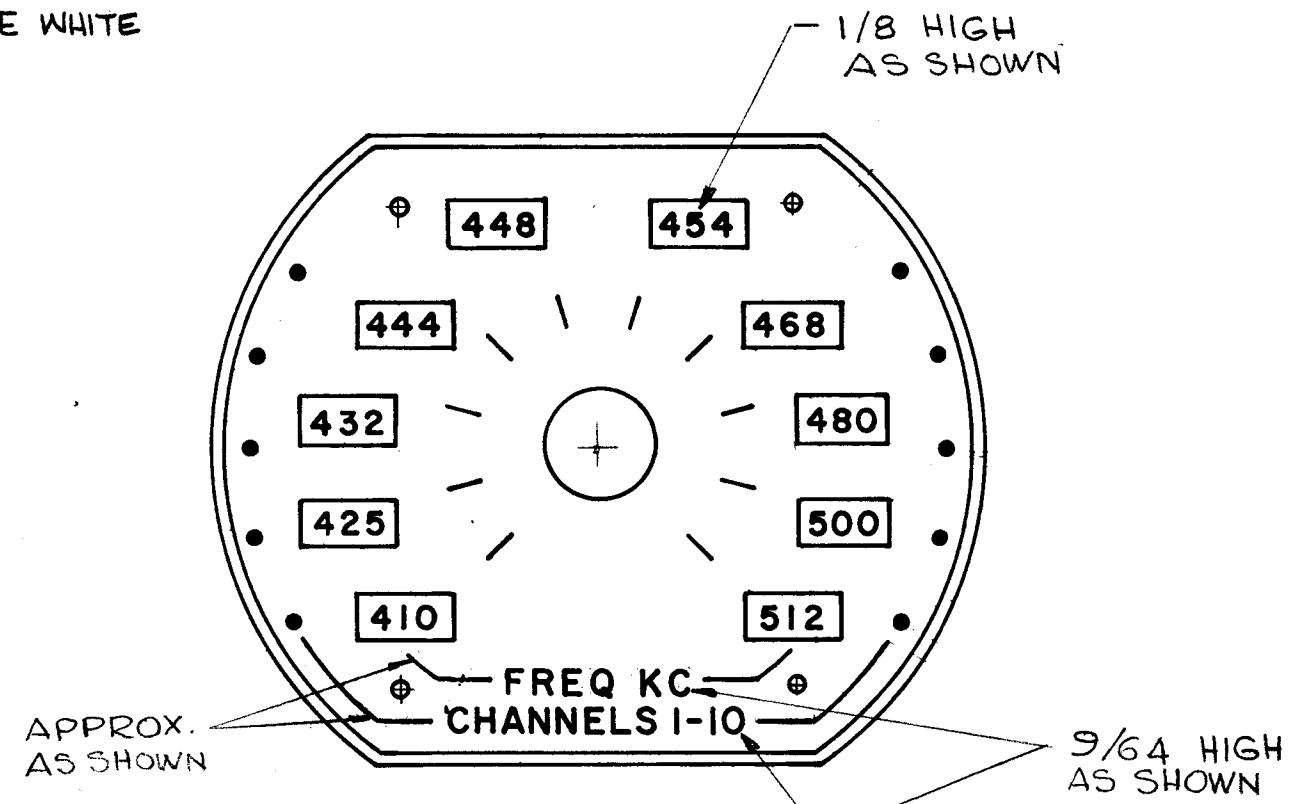
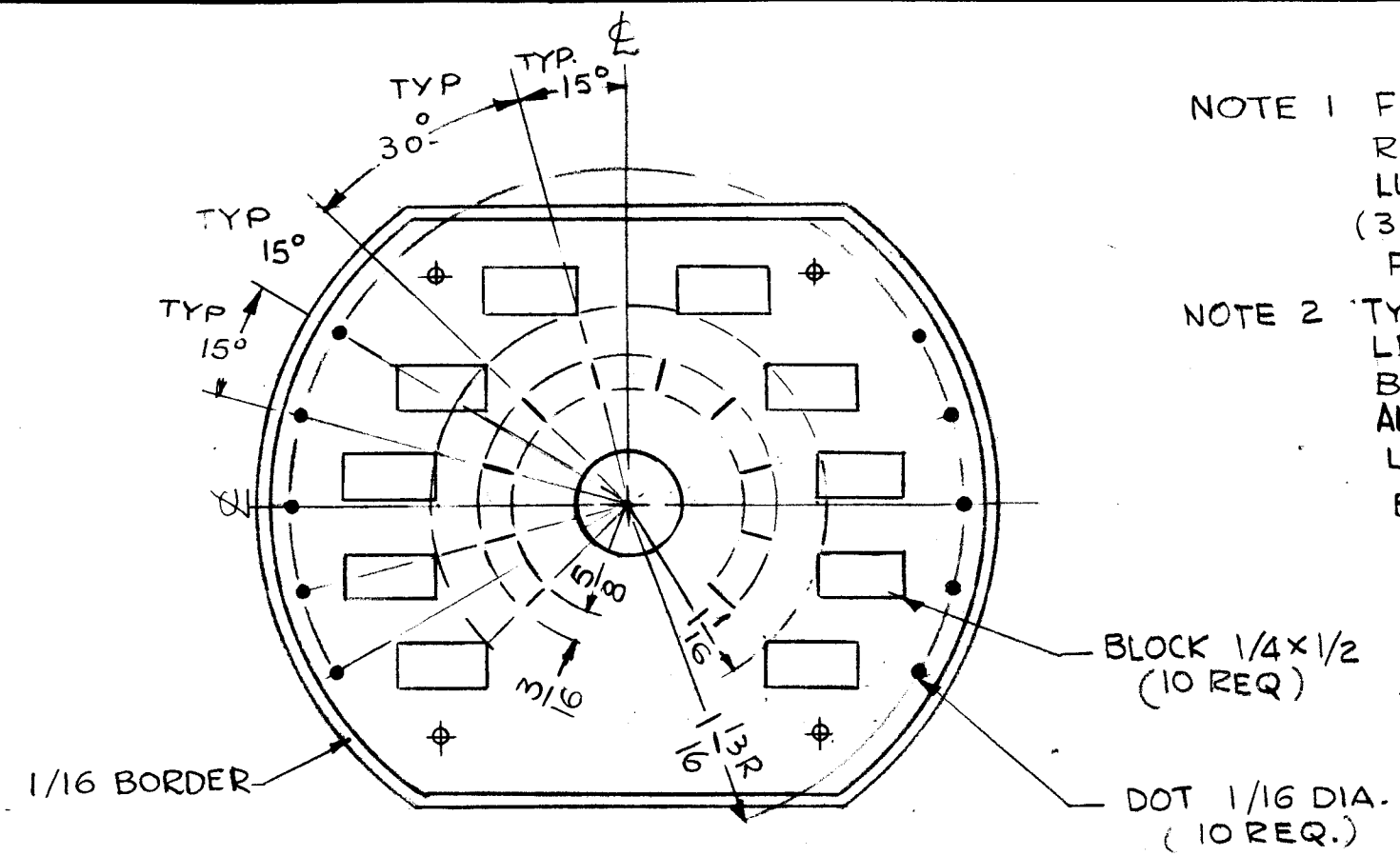


REVISIONS

ZONE	LTR	DESCRIPTION	DATE	E.M.N.NO	DRAFT	CHKD	APPD
	X	EXP. RELEASE	7-31-68		GDL	<i>[Signature]</i>	<i>[Signature]</i>
	Ø	ORIGINAL RELEASE	8/18/69		G		

NOTE 1 FINISH:
 REVERSE ETCH,
 LUSTERLESS BLACK
 (37038) BACKGROUND
 PER FED-STD-595

NOTE 2 TYPE FACE
 LETTERING TO BE
 BLACK GOTHIC IN BLOCKS
 ALL OTHER LETTERING TO BE WHITE
 LINES, DOTS, BLOCKS
 BORDER TO BE WHITE



HOLE
 A - .078 D. 4 REQ.
 B - 9/16 1 REQ.
 - MACHINING -

QTY / UNIT	MODEL USED ON	ASS'Y NO.
	RASY-1	
APPLICATION		
	CODE	
	C	

NOTICE TO PERSONS RECEIVING THIS DRAWING
 THE TECHNICAL MATERIEL CORPORATION claims proprietary right in the material disclosed hereon. This drawing is issued in confidence for engineering information only and may not be reproduced or used to manufacture anything shown hereon without permission from THE TECHNICAL MATERIEL CORPORATION to the user. This drawing is loaned for mutual assistance and is subject to recall at any time.

UNLESS OTHERWISE SPECIFIED
 DIMENSIONS ARE IN INCHES
 AND INCLUDE CHEMICALLY APPLIED
 OR PLATED FINISHES

DECIMALS	FRACTIONS
.X ± .05	1/64
.XX ± .01	TOLS. ANGLES
.XXX ± .005	0° - 30'

MATERIAL .032 THK
 ALUMINIUM
 5052-H32

FINISH
 SEE NOTE 1 & 2

REQ'D	ITEM	PART NUMBER	DESCRIPTION	SYM.
S. DE MARCO LIST OF MATERIAL				
THE TECHNICAL MATERIEL CORP. MAMARONECK, NEW YORK				
NAMEPLATE, DESIGNATION CHANNEL				
SIZE	CODE IDENT. NO.	DWG NO.	ISSUE	
B	82679	NP 942	Ø	
SCALE 1:1			SHEET OF	