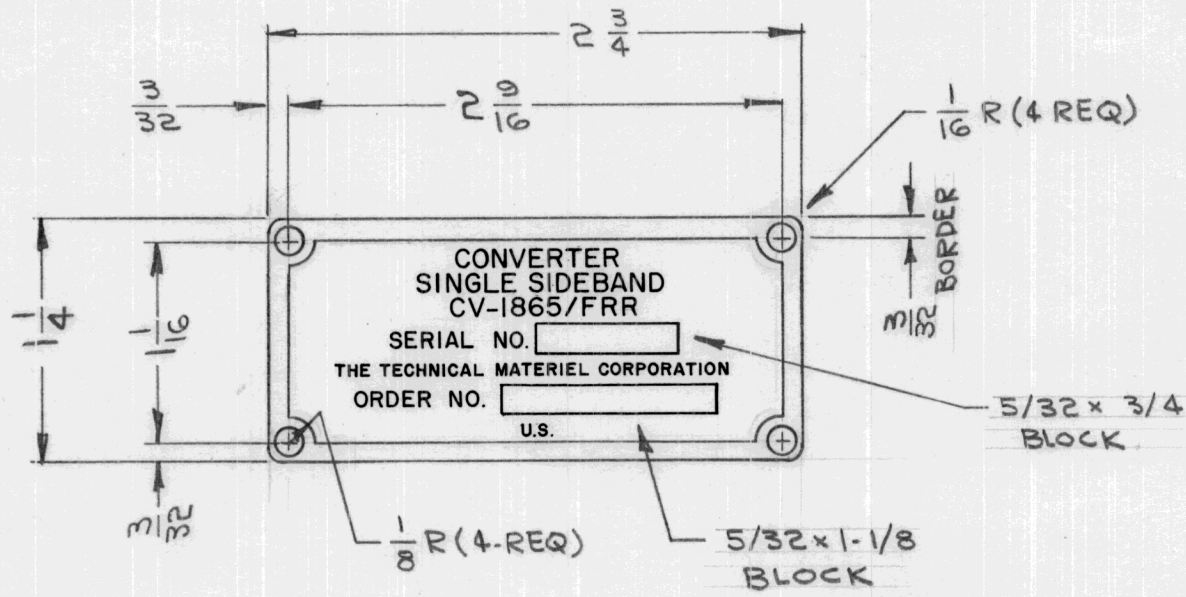


REQ. PER UNIT	USED ON			NP669	Ø
	MODEL	ASS'Y. NO.	DATE		
1	MSA-1		8-21-64		



FINISH: REVERSE ETCH ANODIZE ON LUSTER-LESS BLACK BACKGROUND (TYPE 37038) PER FED-STD-595 COLORLESS VARNISH PER MIL-V-6894.

MIN. LETTER SIZE-3/64" HIGH

ORDER AND SERIAL NUMBERS TO BE STEEL STAMPED BY TMC.

4 HOLES - 1/8 DIA.

NAMEPLATE TO BE IN ACCORDANCE WITH MIL-STD-130 AND MIL-M-13231 AND AMENDS.

REQ. ITEM	PART NO.	DESCRIPTION	SYMBOL
Ø		THE TECHNICAL MATERIEL CORP. MAMARONECK, NEW YORK	
X		NAMEPLATE, IDENTIFICATION	
SYM	DESCRIPTION	DATE	CH. NO.
	UNLESS OTHERWISE SPECIFIED DIMENSIONS ARE IN INCHES AND INCLUDE CHEMICALLY APPLIED OR PLATED FINISHES	SCALE	1:1
	DECIMALS .X ± .05 .XX ± .01 .XXX ± .005	FRACTIONS ± 1/64 ANGLES ± 0° 30'	CODE A
	5052-H32	TYPE & TEMPER	HEAT TREAT. SPEC.
	SEE NOTE	FINISH & SPEC. NO.	
		ELEC. DES. APP.	MECH. DES. APP.
			NP669 Ø