

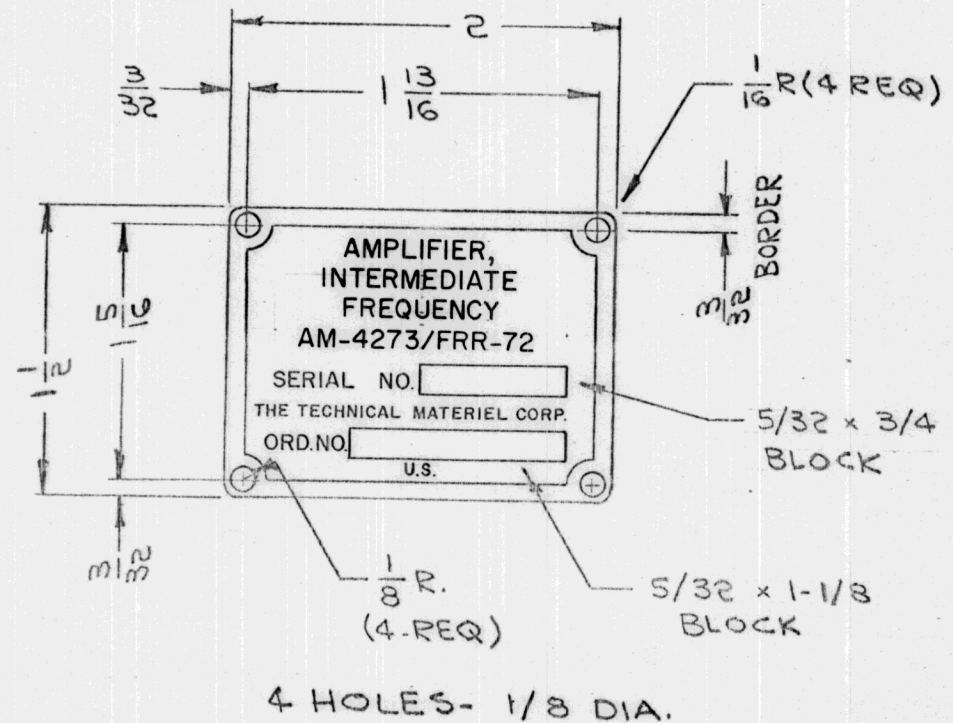
REQ. PER UNIT	USED ON			NPG64	Ø
	MODEL	ASS'Y. NO.	DATE		
1	HFIR-1		8-21-64		

FINISH: REVERSE ETCH ANODIZE ON LUSTER-LESS BLACK BACKGROUND (TYPE 37038) PER FED-STD-595.
 COLORLESS VARNISH PER MIL-V-6894.

MIN. LETTER SIZE - 3/64" HIGH

ORDER AND SERIAL NUMBERS TO BE STEEL STAMPED BY TMC.

NAMEPLATE TO BE IN ACCORDANCE WITH MIL STD-130 AND MIL-M-13231 AND AMENDS.



4 HOLES - 1/8 DIA.

REQ.	ITEM	PART NO.	DESCRIPTION				SYMBOL	
Ø	ORIGINAL RELEASE FOR PRODUCTION	9-15-64	Ø	RL	.032 THK STOCK SIZE		THE TECHNICAL MATERIEL CORP. MAMARONECK, NEW YORK	
X	EXPER. RELEASE	8-21-64	X	SL	ALUMINUM		NAMEPLATE, IDENTIFICATION	
SYM	DESCRIPTION	DATE	CH. NO.	DRAFTS	CHECKER	ENG. APP.	MATERIAL	
UNLESS OTHERWISE SPECIFIED DIMENSIONS ARE IN INCHES AND INCLUDE CHEMICALLY APPLIED OR PLATED FINISHES		SCALE		1:1				5052-H32
DECIMALS	FRACTIONS	CODE					TYPE & TEMPER	HEAT TREAT. SPEC.
.X ± .05	± 1/64	A					SEE NOTE	FINISH & SPEC. NO.
.XX ± .01	ANGLES							ELEC. DES. APP.
.XXX ± .005	± 0° 30'							MECH. DES. APP.
							NPG64	Ø