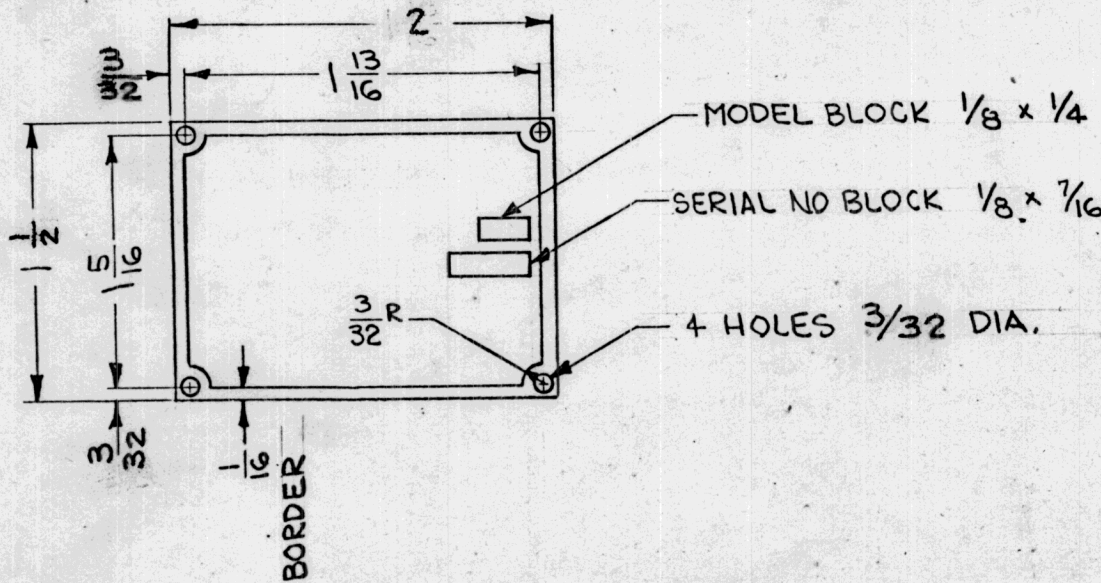
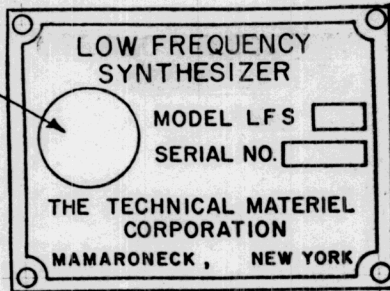


REQ. PER UNIT	USED ON			NP-621	Ø
	MODEL	ASS'Y. NO.	DATE		
1	LFS-1		10-7-63		

TMC  
GLOBAL  
INSIGNIA.



NOTES:

FINISH: REVERSE ETCH, ANODIZED ON LUSTERLESS BLACK BACKGROUND (TYPE 37038) PER FED. STANDARD NUMBER 595. COLORLESS VARNISH PER MIL-V-6894.

TYPE FACE: SPARTAN MEDIUM. SIZE TO FIT SPACE AND LAYOUT. MINIMUM LETTER SIZE-- 3/64 HIGH.

APPLICABLE MODEL AND SERIAL NO. WILL BE STAMPED BY TMC.

NAMEPLATE TO BE MANUFACTURED IN ACCORDANCE WITH MIL-P-15024B, TYPE A, 17 JAN. 1957.

REQ.	ITEM	PART NO.	M. GELLMAN	DESCRIPTION	SYMBOL	
Ø	ORIGINAL RELEASE FOR PRODUCTION	7-10-64	Ø	gellman @		
X2	OVERALL DIM. CHGD	1/3/64	X2	file	2/33	
X1	3/32 HOLES WERE .0760. TYPE & TEMPER WAS 250	1/9/64	X1	GDL	2/33	
SYM	DESCRIPTION	DATE	CH. NO.	DRAFTS	CHECKER	ENG. APP.
UNLESS OTHERWISE SPECIFIED DIMENSIONS ARE IN INCHES AND INCLUDE CHEMICALLY APPLIED OR PLATED FINISHES		SCALE		1:1		
TOLERANCES		FRACTIONS		CODE		
.X ± .05		± 1/64		A		
.XX ± .01		ANGLES				
.XXX ± .005		± 0° 30'				
.032 THK		STOCK SIZE				
ALUMINUM		MATERIAL				
5052-H32		HEAT TREAT. SPEC.		G. Sencer		
SEE NOTES		FINISH & SPEC. NO.		DRAWN		
				CHECKED		
				FINAL APPROVAL		
				ELEC. DES. APP.		
				MECH. DES. APP.		
				NP-621 Ø		