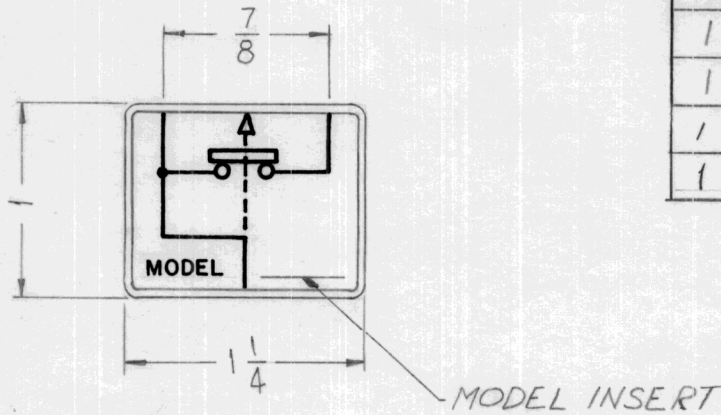


THE CONTENTS OF THIS DRAWING ARE THE EXCLUSIVE PROPERTY OF THE TECHNICAL MATERIEL CORP. ITS UNAUTHORIZED USE OR REPRODUCTION IN WHOLE OR IN PART IS STRICTLY FORBIDDEN.

REQ. PER UNIT	USED ON		
	TMC PART NO.	MODEL INSERT	ASS'Y NO.
1	NP 489-1	FLANGE	A 2456
1	NP 489-2	SW 305	A 2457
1	NP 489-3	SW 306	A 2458
1	NP 489-4	SW 307	A 2459
1	NP 489-5	SW 308	A 4334
1	NP 489-6	SW 409	A 4460
1	NP 489-7	SW 421	

NP 489 B



NOTES:

- ALL LETTERING, SYMBOLS & BORDER TO BE BLACK.
- BACKGROUND TO BE ALUMINUM CLEAR ANODIZED.
- ADHESIVE BACKING, WATER SOLVENT.
- APPLICATION: PAINTED SURFACE.

REQ.	ITEM	PART NO.	DESCRIPTION	SYMBOL					
		.003 TO .005	THE TECHNICAL MATERIEL CORP.						
		STOCK SIZE	MAMARONECK, NEW YORK						
B	NP489-7 ADDED	5/31/66 16290 HLA	ALUMINUM FOIL	SCHMATIC, DIAGRAM					
A	NP 489-6 ADDED	9/29/63 14847 H.V.V.		SWITCH JACK, ASSEMBLY					
SYM	DESCRIPTION	DATE	CH. NO.	DRAFTS	CHECKER	ENG. APP.			
UNLESS OTHERWISE SPECIFIED:		SCALE: DO NOT SCALE							
DIMENSIONS ARE IN INCHES		MAXIMUM ALLOWABLE TOLERANCES HAVE BEEN DETERMINED AND ANY DEVIATIONS WILL BE CAUSE FOR REJECTION.		TYPE & TEMPER		HEATTREAT. SPEC.		DRAWN	
TOLERANCES ON		REMOVE ALL BURRS AND SHARP EDGES		SEE NOTE				CHECKED	
FRAC. ± 1/64 DEC. ± .005 ANGLES ± 1/2°				FINISH & SPEC. NO.		ELEC. DES. APP.		MECH. DES. APP.	
						6/27/62		NP 489 B	