

5

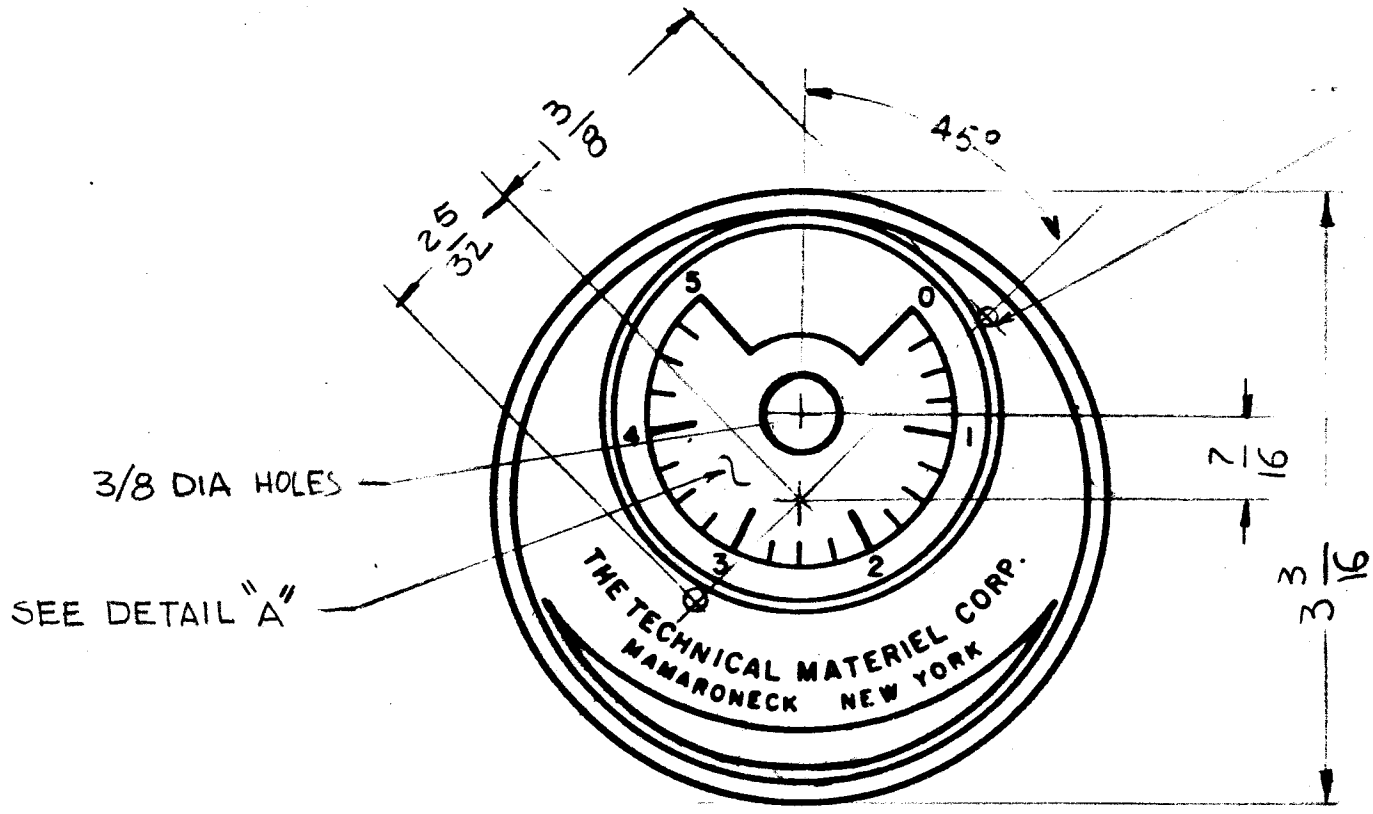
4

3

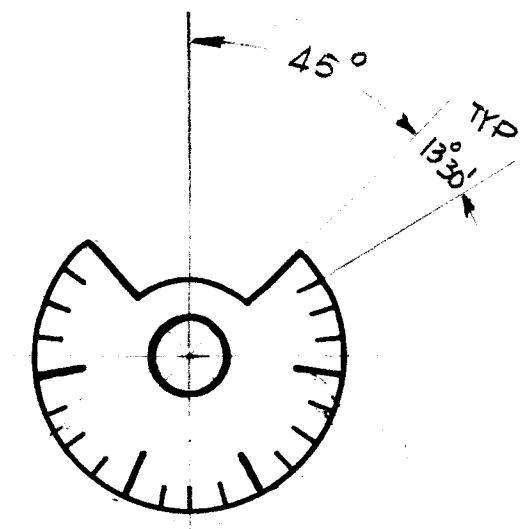
2

1

REVISIONS							
E.M.N. NO.	DRAFT	CHKD	ZONE	LTR	DESCRIPTION	DATE	APPROVED
	JDL			Ø	ORIGINAL RELEASE	8-24-82	



5/32 DIA HOLES
2 REQ'D



DETAIL "A"

NOTE :
FINISH: BLACK MATTE BACKGROUND
AN CLEAR LAQUER -
ALL MARKING, NUMBER &
LINES TO BE CLEAR
ALUMINUM ANODIZED

QTY / UNIT	MODEL USED ON	ASS'Y NO.	DECIMALS	FRACTIONS	TOLS.	ANGLES	REQ'D	ITEM	PART NUMBER	DESCRIPTION	SYM.
1	GPT-10K		.X ± .08	1/64							
APPLICATION			.XX ± .01				LIST OF MATERIAL				
CODE			.XXX ± .005	9° 30'			THE TECHNICAL MATERIEL CORP. MAMARONECK, NEW YORK				
NOTICE TO PERSONS RECEIVING THIS DRAWING			MATERIAL .032 THK ALUM. 5052-H32				NAME PLATE, TIME DELAY				
THE TECHNICAL MATERIEL CORPORATION claims proprietary right in the material disclosed hereon. This drawing is issued in confidence for engineering information only and may not be reproduced or used to manufacture anything shown hereon without permission from THE TECHNICAL MATERIEL CORPORATION to the user. This drawing is loaned for mutual assistance and is subject to recall at any time.			FINISH SEE NOTE				DRAWN G.D.L. DATE 12-28-81				
							SIZE B CODE IDENT. NO. 82679 DWG NO. NP 1007 ISSUE Ø				
							SCALE 1:1 SHEET OF				