

IF IT IS FOUND DESIRABLE TO CHANGE ANY TOLERANCE OR OTHER DETAIL SPECIFIED ON THIS DRAWING NOTIFY THE PURCHASER PROMPTLY.

STANDARD DRAWING

MX-564/U

MAXIMUM ALLOWABLE TOLERANCES HAVE BEEN DETERMINED AND DEVIATIONS WILL BE CAUSE FOR REJECTION. REMOVE ALL BURRS AND SHARP EDGES

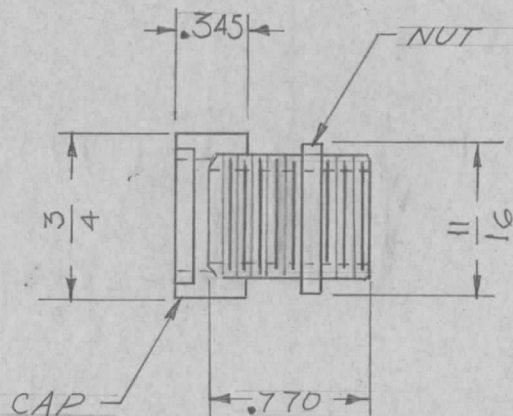
USED ON

MODEL

PROJECT NO.

ASS'Y. NO.

DATE



DEM. FOR REF. ONLY
REF-NAVY DWG RE49F403

| REQ. | ITEM | PART NO. | DESCRIPTION | SYMBOL |
|------|------|-------------------------|--|---------------------------------|
| | | — H — | THE TECHNICAL MATERIEL CORP. MAMARONECK, NEW YORK | |
| | | STOCK SIZE | | |
| | | BRASS .053 | CLAMP-ARMOR | |
| | | MATERIAL WEIGHT PER PC. | | |
| | | — H — | P.B.9-17-54 | |
| | | TYPE & TEMPER | | |
| | | — H — | DRAWN | ELEC. DES. APP. MECH. DES. APP. |
| | | HEAT TREAT. SPEC. | CHECKED | FINAL APPROVAL |
| | | SILVER PLATED | | MX-564/U |
| | | FINISH & SPEC. NO. | | |

| NO CHANGE READRAWN | 9-15-54 | 12. | COB | 102 | | | |
|--------------------|---------|--------------|------|---------|--------|---------|-----------|
| ISSUE | ITEM | CHANGED FROM | DATE | CN. NO. | DRAFTS | CHECKER | ENG. APP. |

| | | |
|------------|---|---|
| TOLERANCES | | SCALE |
| ALL OTHERS | DEC. DIM. ± FRAC. DIM. ± ANGULAR DIM. ± | DRILL, PUNCH, COMMERCIAL STOCK SIZES AND MANUFACTURERS TOLERANCES ARE NOT INCLUDED. |