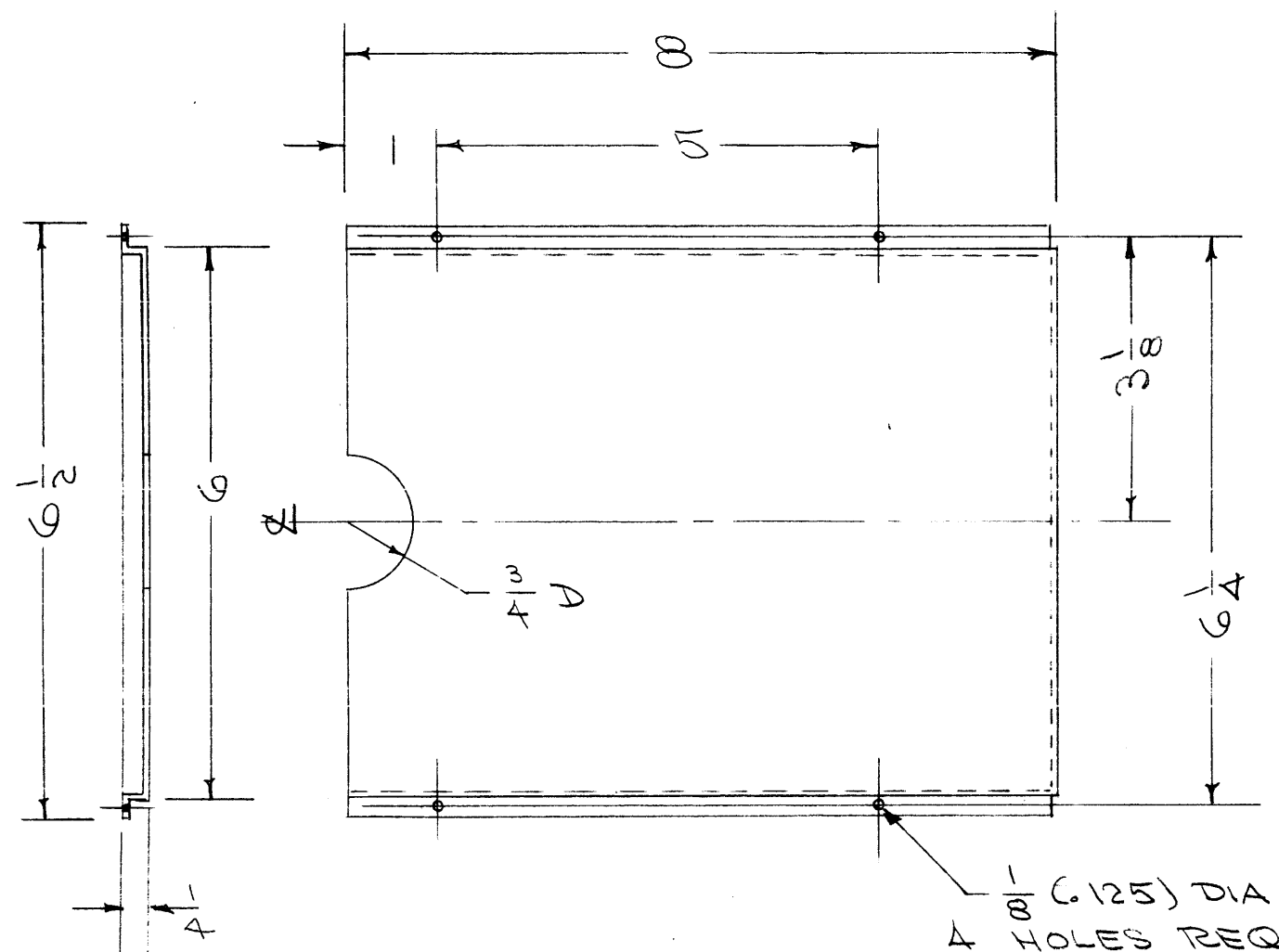


MS-991-1 WITHOUT HOLES  
NO FINISH



MS-991-2 WITH HOLES  
FINISH - S-197 SMOOTH BLACK

ALL PERSONS RECEIVING THIS DRAWING  
THE TECHNICAL MATERIEL CORPORATION claims  
Proprietary right in the material disclosed hereon.  
This drawing is issued in confidence for engineering  
information only and may not be reproduced or used  
to manufacture anything shown hereon without per-  
mission from THE TECHNICAL MATERIEL CORPORA-  
TION to the user. This drawing is loaned for mutual  
assistance and is subject to recall at any time.

Property of:  
THE TECHNICAL MATERIEL CORPORATION  
MAMARONECK, NEW YORK

ISSUE	ITEM	CHANGED FROM	DATE	CH. NO.	DRAFTS	CHECKER	ENG. APP.
A	1	COMPLETE REVISION	10-18-56	1	CSB	JAC	WJC
TOLERANCES		SCALE:					
DEC. DIM. ±		MAXIMUM ALLOWABLE TOLERANCES HAVE					
FRAC. DIM. ±		BEEN DETERMINED AND ANY DEVIATIONS					
ANGULAR DIM. ±		WILL BE CAUSE FOR REJECTION.					
		REMOVE ALL BURRS AND SHARP EDGES					

REQ. PER UNIT	MODEL	PROJECT NO.	ASS'Y. NO.	DATE
	TAC-1			10-18-56
USED ON				

REQ. ITEM	PART NO.	DESCRIPTION	SYMBOL
18 GA. (.047)		THE TECHNICAL MATERIEL CORP.	
STEEL		MAMARONECK, NEW YORK	
COLD ROLLED		CARD HOLDER	
TYPE & TEMPER	HEAT TREAT. SPEC.	DRAWN	CHECKED
SEE ABOVE		CSB 10/18/56	JAC
FINISH & SPEC. NO.	ELEC. DES. APP.	MECH. DES. APP.	FINAL APPROVAL
			WJC
			MS-991 A