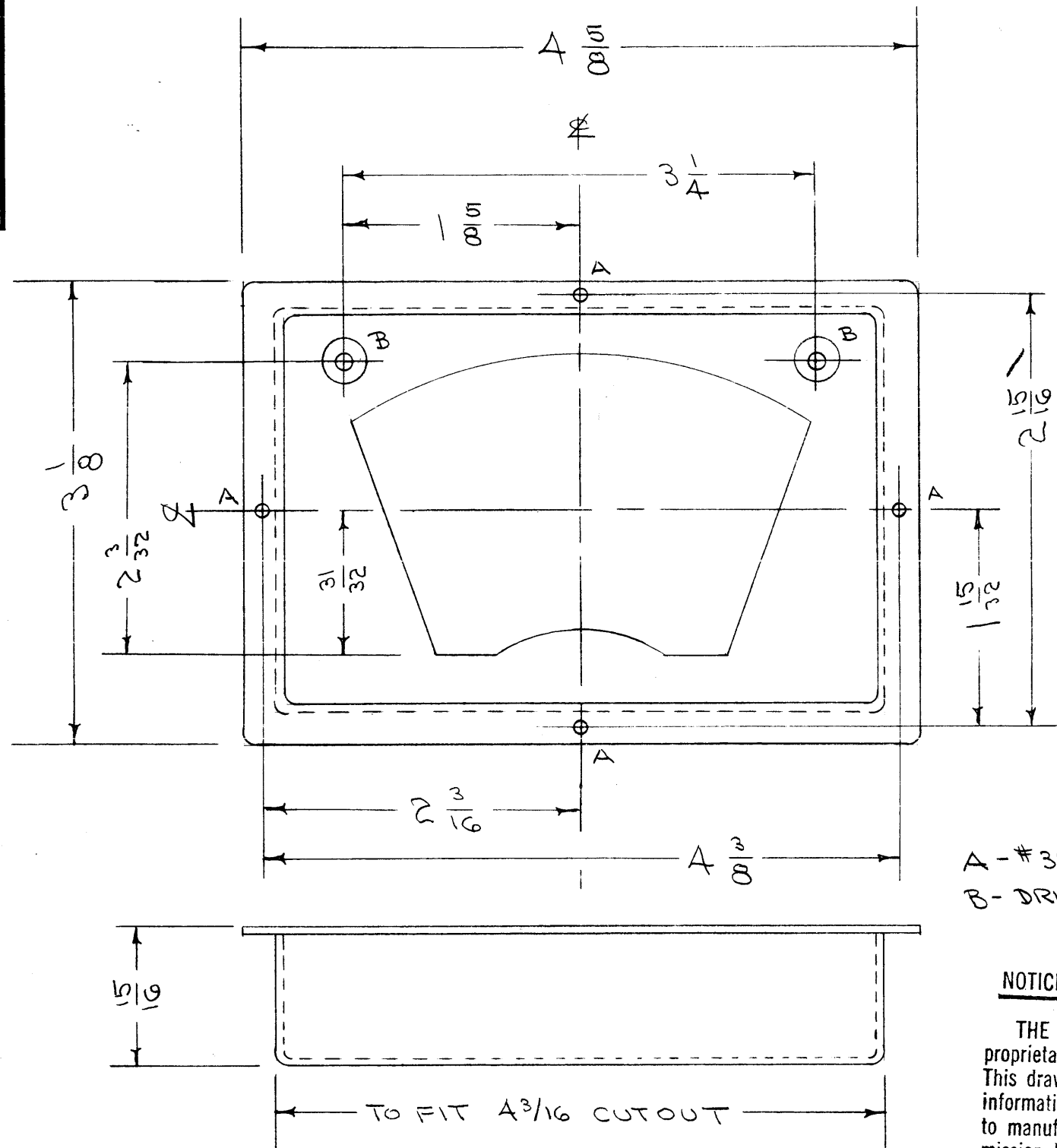


MS-941-D



A - #38(.101) DIA. A REQ.  
 B - DRILL & CSINK #A FHS - 2 REQ.

**NOTICE TO PERSONS RECEIVING THIS DRAWING**

THE TECHNICAL MATERIEL CORPORATION claims proprietary right in the material disclosed hereon. This drawing is issued in confidence for engineering information only and may not be reproduced or used to manufacture anything shown hereon without permission from THE TECHNICAL MATERIEL CORPORATION to the user. This drawing is loaned for mutual assistance and is subject to recall at any time.

Property of:  
 THE TECHNICAL MATERIEL CORPORATION  
 MAMARONECK, NEW YORK

TMC PART NO.	FINISH
MS-941-1	S404 YELLOW IRIDITE S114 ZINC CHROMATE PRIMER S520 RCAF VINYL TEXTURED
MS-941-2	S404 YELLOW IRIDITE S114 ZINC CHROMATE PRIMER LUSTERLESS BLACK FED. STD #595 TYPE 37038.

ISSUE	ITEM	CHANGED FROM	DATE	CH. NO.	DRAFTS	CHECKER	ENG. APP.
D	1	MS-941-1, FINISH S520 WAS S-220 RCAF GREY ENAMEL	2-19-63	8301	<i>[Signature]</i>	<i>[Signature]</i>	<i>[Signature]</i>
C	1	FINISH CHART ADDED	10-31-62	7598	<i>[Signature]</i>	<i>[Signature]</i>	<i>[Signature]</i>
B	1	S-404 WAS S-101	12/14/59	1001	<i>[Signature]</i>	<i>[Signature]</i>	EMN
A	1	"B" HOLE DIMENSIONING CHANGED	8/14/62	1	<i>[Signature]</i>	<i>[Signature]</i>	<i>[Signature]</i>

REQ. PER UNIT	MODEL	TMC PART NO.	ASS'Y. NO.	DATE
2	GPR-92	MS-941-2		10-29-62
1	CHG-1	MS-941-1	Ref. LD-874 (1)	11-29-60
1	SBE-3	MS-941-1		11-30-59
1	G5B-1	MS-941-1		5-17-56

REQ. ITEM	PART NO.	DESCRIPTION	SYMBOL
	.064	STOCK SIZE	
	ALUMINUM	MATERIAL	
		THE TECHNICAL MATERIEL CORP. MAMARONECK, NEW YORK	
		ESCUTCHEON, FRONT PANEL	
		TYPE & TEMPER HEAT TREAT. SPEC.	
	SEE NOTE	DRAWN	
	FINISH & SPEC. NO.	CHECKED	
		FINAL APPROVAL	
		ELEC. DES. APP.	
		MECH. DES. APP.	

USED ON

MS-941 D