

IF IT IS FOUND DESIRABLE TO CHANGE ANY TOLERANCE OR OTHER DETAIL SPECIFIED ON THIS DRAWING NOTIFY THE PURCHASER PROMPTLY.

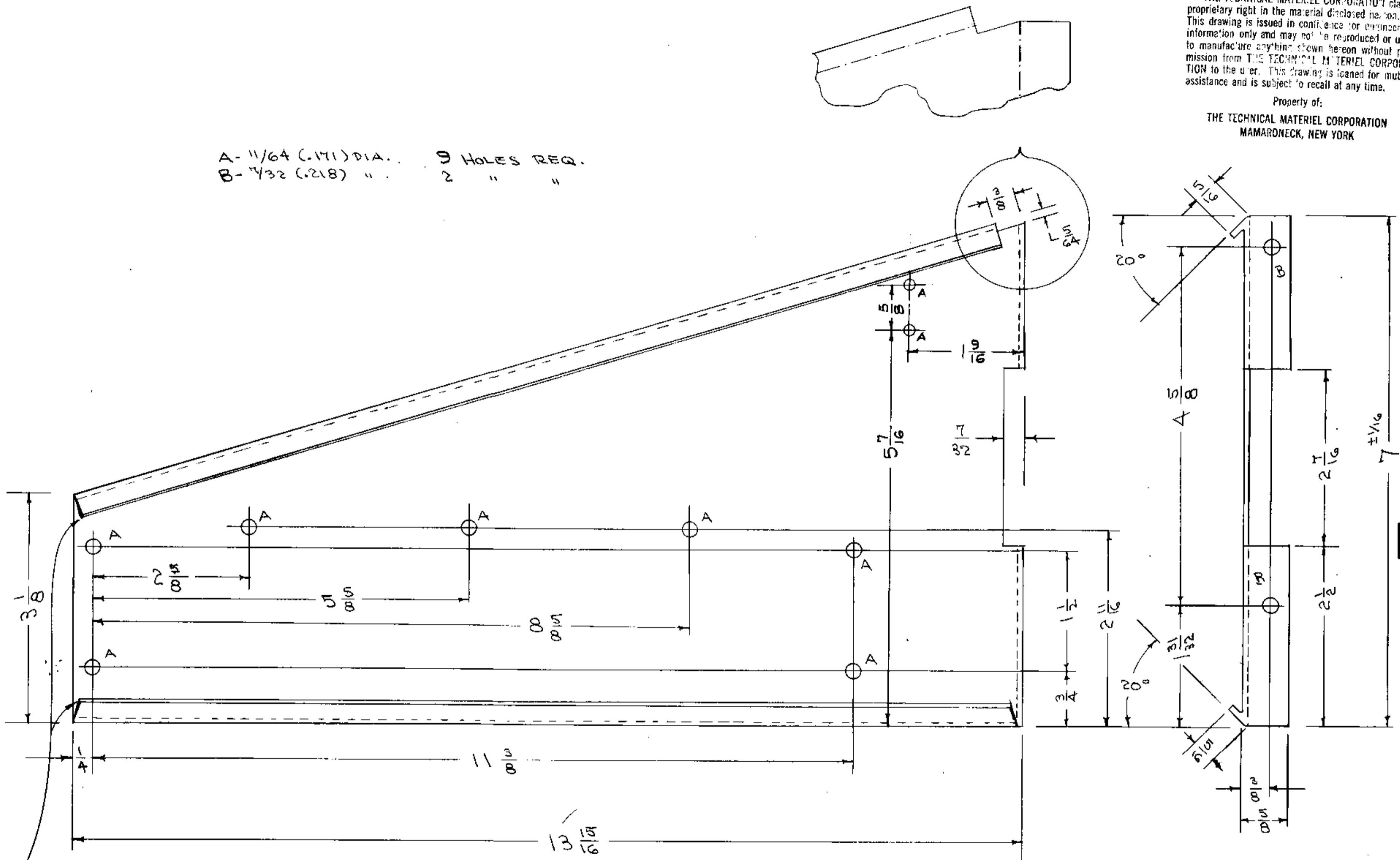
MAXIMUM ALLOWABLE TOLERANCES HAVE BEEN DETERMINED AND DEVIATIONS WILL BE CAUSE FOR REJECTION. REMOVE ALL BURRS AND SHARP EDGES

NOTICE TO PERSONS RECEIVING THIS DRAWING

THE TECHNICAL MATERIEL CORPORATION claims proprietary right in the material disclosed hereon. This drawing is issued in confidence for engineering information only and may not be reproduced or used to manufacture anything shown hereon without permission from THE TECHNICAL MATERIEL CORPORATION to the user. This drawing is loaned for mutual assistance and is subject to recall at any time.

Property of:
THE TECHNICAL MATERIEL CORPORATION
MAMARONECK, NEW YORK

A- 11/64 (.171) DIA. 9 HOLES REQ.
B- 7/32 (.218) " 2 " "



REMOVE SHARP CORNERS

MS-940

C	1	SEAL - IRIDITE WAS EPOX CAUSTIC DIP	2-9	1001				
B	1	TWO "A" HOLES ADDED	1/2/56	2				
A	1	NOTCH MOVED	4/10/56	1				
ISSUE	ITEM	CHANGED FROM	DATE	DN. NO.	DRAFTS	CHECKED	ENG. APP.	
TOLERANCES		SCALE:						
ALL OTHERS	DEC. DIM. ± 1/64 FRAC. DIM. ± 1/64 ANGULAR DIM. ± 20	DRILL PUNCH, COMMERCIAL STOCK SIZES AND MANUFACTURERS TOLERANCES ARE NOT INCLUDED.						

1	GSB-1	459		5-11-56
REQ PER UNIT	MODEL	PROJECT NO.	ASBY. NO.	DATE
	USED ON			

REQ. ITEM	PART NO.	DESCRIPTION	SYMBOL
.064		THE TECHNICAL MATERIEL CORP. MAMARONECK, NEW YORK	
ALUMINUM		SIDE PLATE, LEFT	
MATERIAL	WEIGHT PER PC.		GSB-1
5052 H32			
TYPE & TEMPER	QVD 5/16/56	HH	28
HEAT TREAT. SPEC.			
SA04-YEL-IRIDITE			
FINISH & SPEC. NO.			
			MS-940