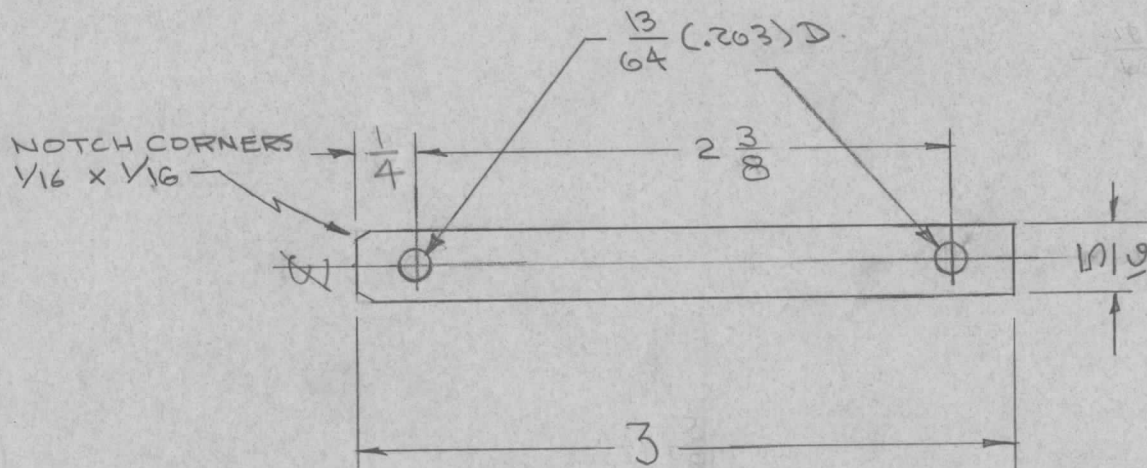


REQ. PER UNIT	USED ON			MS-921	B
	MODEL	ASS'Y. NO.	DATE		
1	RTF		4/13/56		



ISSUE	ITEM	CHANGED FROM	DATE	CH. NO.	DRAFTS	CHECKER	ENG. APP.	REQ. ITEM	PART NO.	DESCRIPTION	SYMBOL		
									.013	THE TECHNICAL MATERIEL CORP. MAMARONECK. NEW YORK	CONNECTOR, MULT. TO P/A		
B	1	1/4 WAS 5/16 CORNERS NOTCHED	12/13/56	2	16	JMR	AM		STOCK SIZE				
A	2	DIMENSIONS CHANGED	10/9/56	1	000	JMR	AM		COPPER				
	1	HOLE SIZES CHANGED							MATERIAL		RTF GPT-750		
		TOLERANCES							SOFT	JMR 4/13/56	JMR	WDC	
		SCALE:							TYPE & TEMPER	HEAT TREAT. SPEC.	DRAWN	CHECKED	FINAL APPROVAL
		DEC. DIM. ±							SILVER PLATE				
		FRAC. DIM. ± 1/64							.0005				MS-921 B
		ANGULAR DIM. ±							FINISH & SPEC. NO.	ELEC. DES. APP.	MECH. DES. APP.		