

5

4

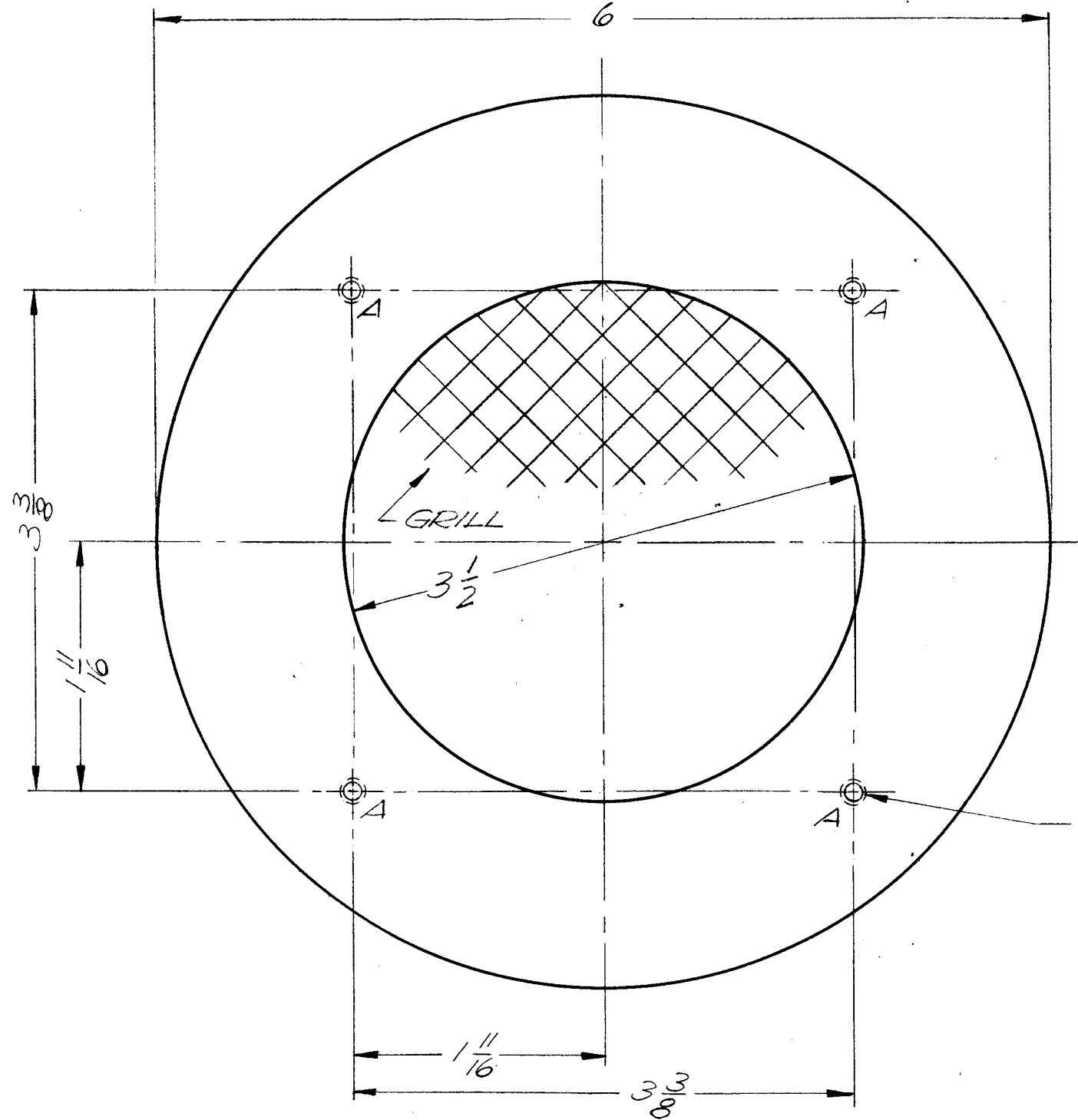
3

2

1

REVISIONS

ZONE	LTR	DESCRIPTION	DATE	E.M.N.NO	DRAFT	CHKD	APPD
	X	EXP. RELEASE	4/28/69		K.H.		
	Ø	ORIG RELEASE FOR PROD	1/2/69		CV		



NOTE:

REMOVE AND MODIFY GRILL PIECE ON AZ 8006 BY ADD. FOUR "A" HOLES.

DRILL & TAP FOR 10 - 32 (4 REQ.)

REQ'D	ITEM	PART NUMBER	DESCRIPTION	SYM.
-------	------	-------------	-------------	------

LIST OF MATERIAL

THE TECHNICAL MATERIEL CORP.
MAMARONECK, NEW YORK

MOD. BLOWER, MTG. PLATE
AZ 8006

	SPT 3K/VHF	AX 8089
QTY / UNIT	MODEL USED ON	ASS'Y NO.
APPLICATION		
	CODE	

NOTICE TO PERSONS RECEIVING THIS DRAWING
THE TECHNICAL MATERIEL CORPORATION claims proprietary right in the material disclosed hereon. This drawing is issued in confidence for engineering information only and may not be reproduced or used to manufacture anything shown hereon without permission from THE TECHNICAL MATERIEL CORPORATION to the user. This drawing is loaned for mutual assistance and is subject to recall at any time.

UNLESS OTHERWISE SPECIFIED DIMENSIONS ARE IN INCHES AND INCLUDE CHEMICALLY APPLIED OR PLATED FINISHES

DECIMALS .X ± .05 .XX ± .01 .XXX ± .005 FRACTIONS 1/64 TOLS. ANGLES 0° - 30'

MATERIAL SEE NOTE

FINISH SEE NOTE

FINAL APPROVAL	DATE
MECH. DES.	DATE
ELECT. DES.	DATE
CHECKED	DATE
DRAWN	DATE

SIZE	CODE IDENT. NO.	DWG NO.	ISSUE
B	82679	MS 8471	Ø

SCALE 1:1 SHEET OF

5

4

3

2

1