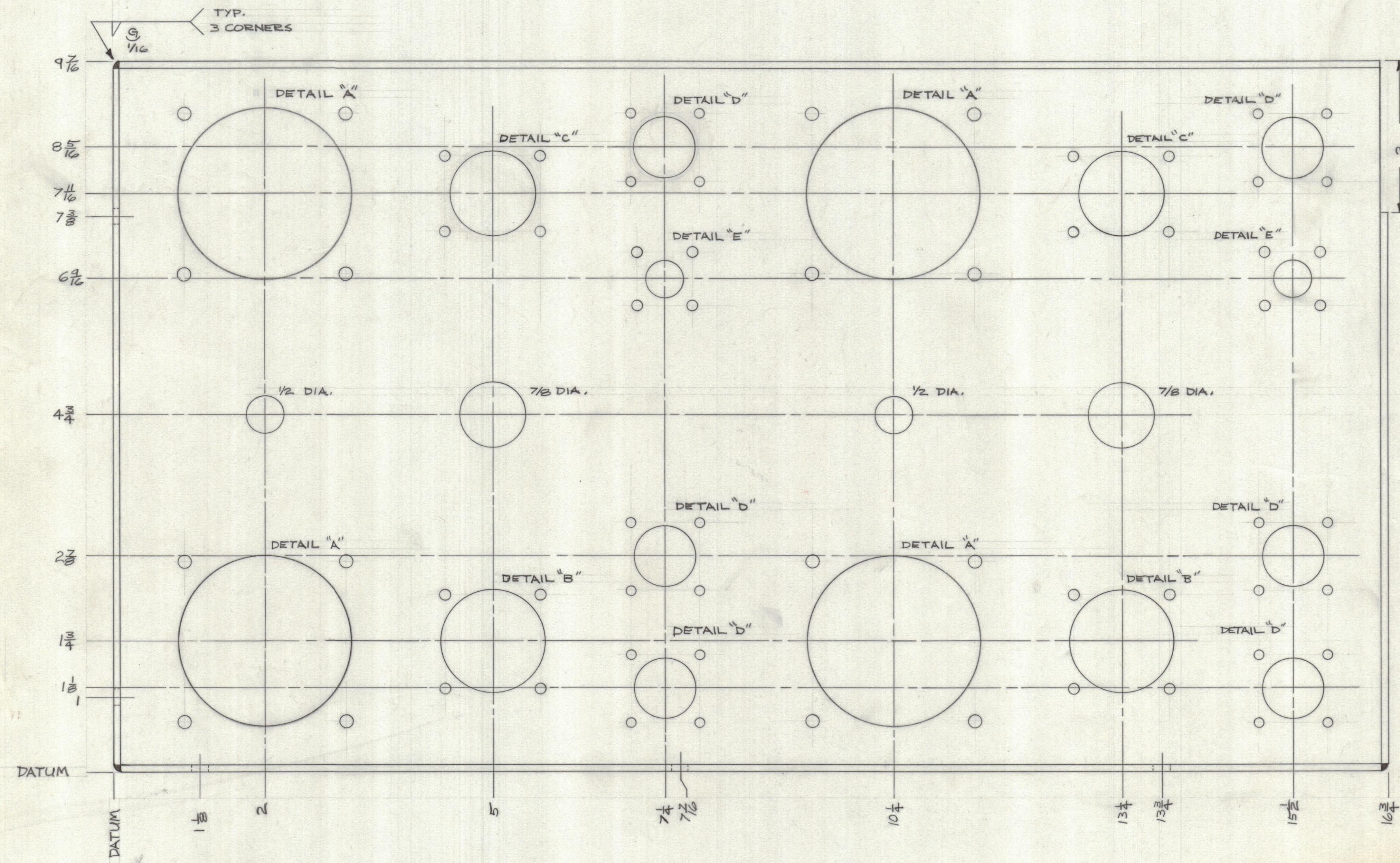
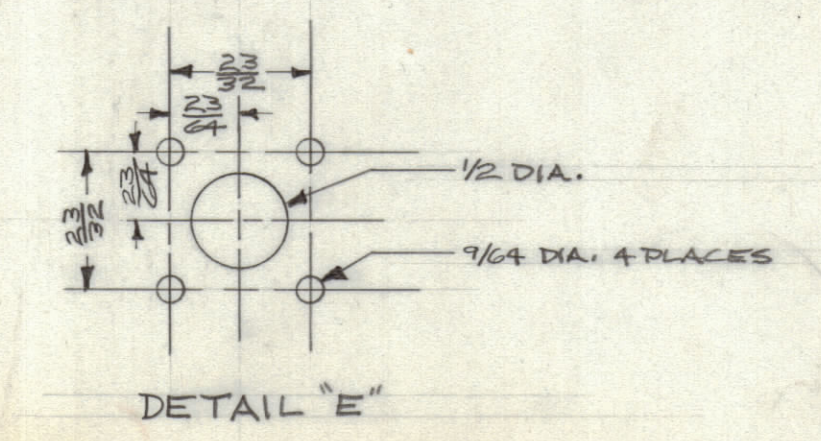
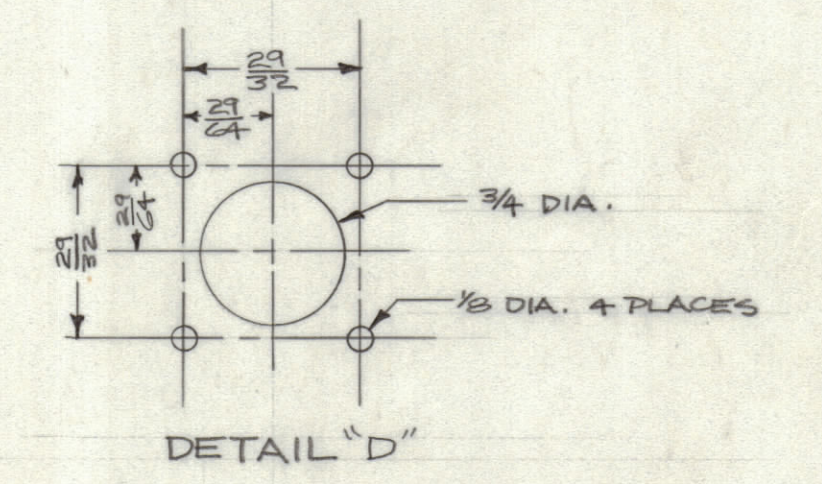
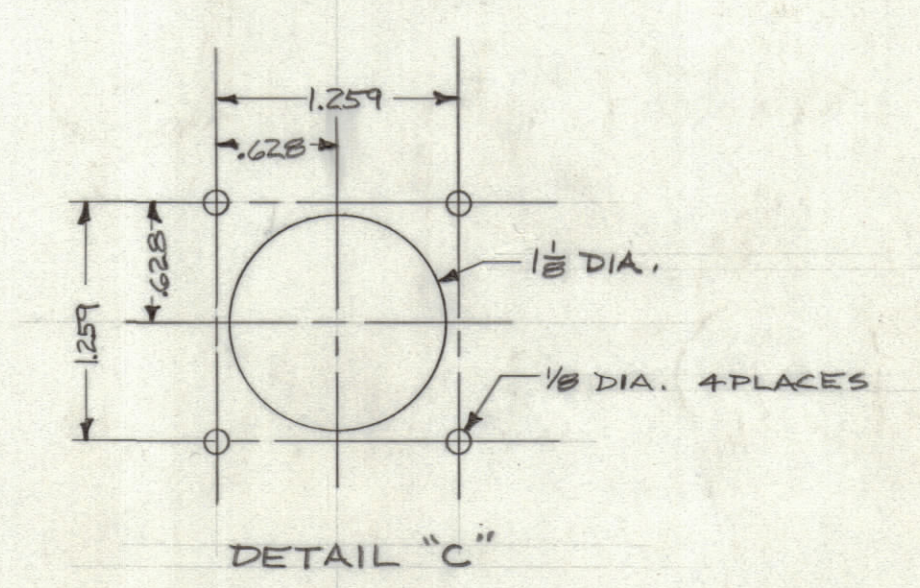
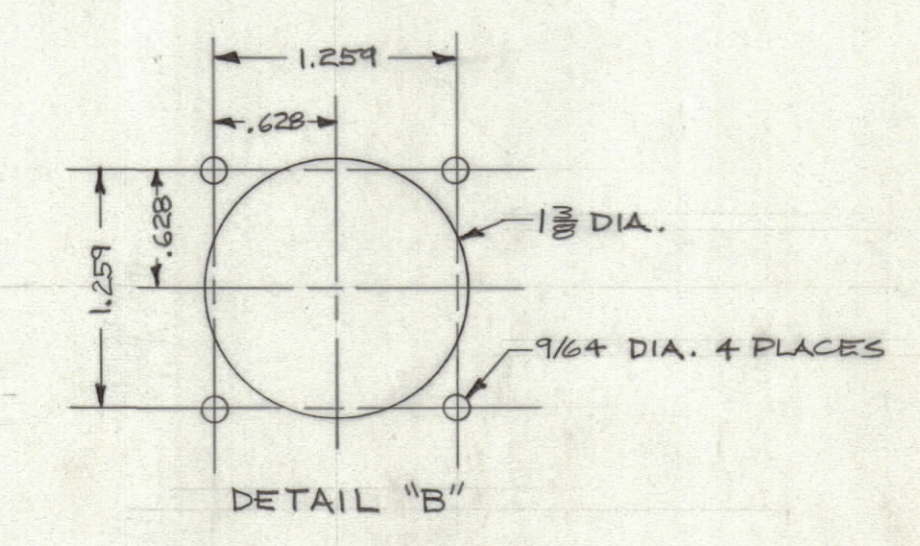
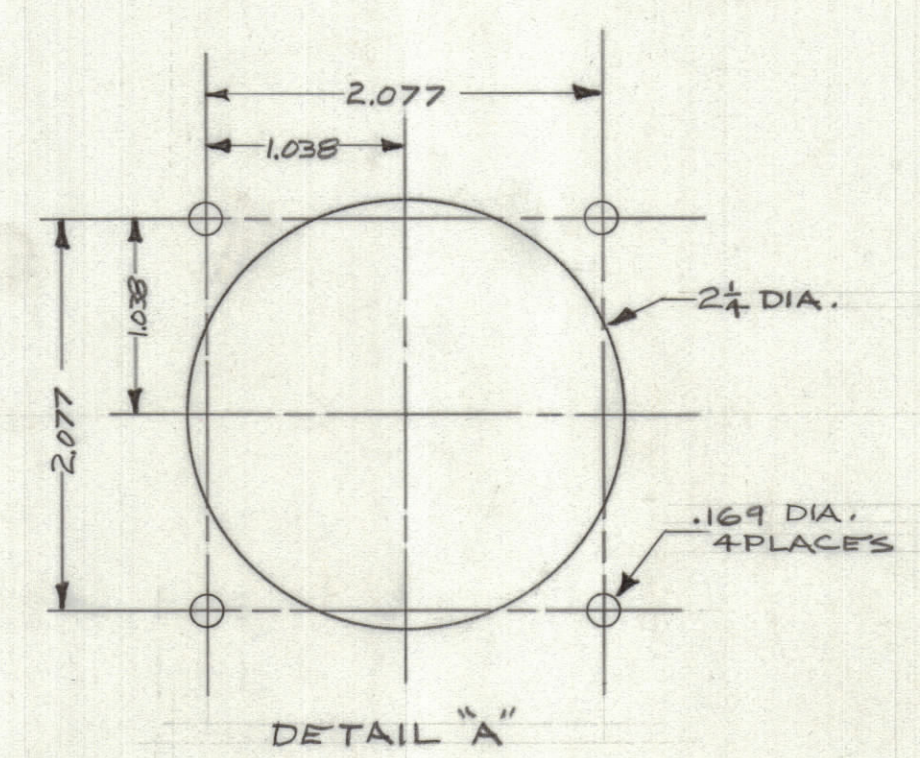
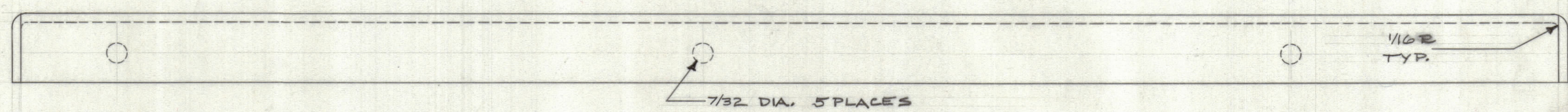


REVISIONS						
ZONE	LTR	DESCRIPTION	DATE	E.M.N.NO	DRAFT	CHKD
X		DWG. No. WAS 40M12D7095	8-22-61		C.9.218	
Ø		ORIGINAL RELEASE FOR PRODUCTION	9-15-61			



NOTE: -1 SHOWN  
-2 MIRROR IMAGE

1	SPT-3KVHF	AX8091-2
1	SPT-3KVHF	AX8091-1
QTY / UNIT	MODEL USED ON	ASS'Y NO.
APPLICATION		
CODE		
NOTICE TO PERSONS RECEIVING THIS DRAWING		
THE TECHNICAL MATERIEL CORPORATION claims proprietary right in the material disclosed herein. This drawing is issued in confidence for engineering information only and may not be reproduced or used to manufacture anything shown hereon without permission from THE TECHNICAL MATERIEL CORPORATION to the user. This drawing is loaned for mutual assistance and is subject to recall at any time.		

UNLESS OTHERWISE SPECIFIED DIMENSIONS ARE IN INCHES AND INCLUDE CHEMICALLY APPLIED OR PLATED FINISHES	
TOLERANCES ON	
DECIMALS	FRACTIONS
.X ± .05	± 1/64
.XX ± .01	ANGLES
.XXX ± .005	± 0°-30'

QTY. REQ.	ITEM	PART NO.	DESCRIPTION	SYMBOL
LIST OF MATERIAL				
THE TECHNICAL MATERIEL CORP. MAMARONECK, NEW YORK				
CONNECTOR MOUNTING PLATE				
MATERIAL		SIZE CODE IDENT. NO. DWG NO.		ISSUE
3/32 ALUM. ALLOY 5052H32		D 82679 40KMS83545		Ø
FINISH		SCALE 1-1		SHEET OF
GOLD IRIDITE				