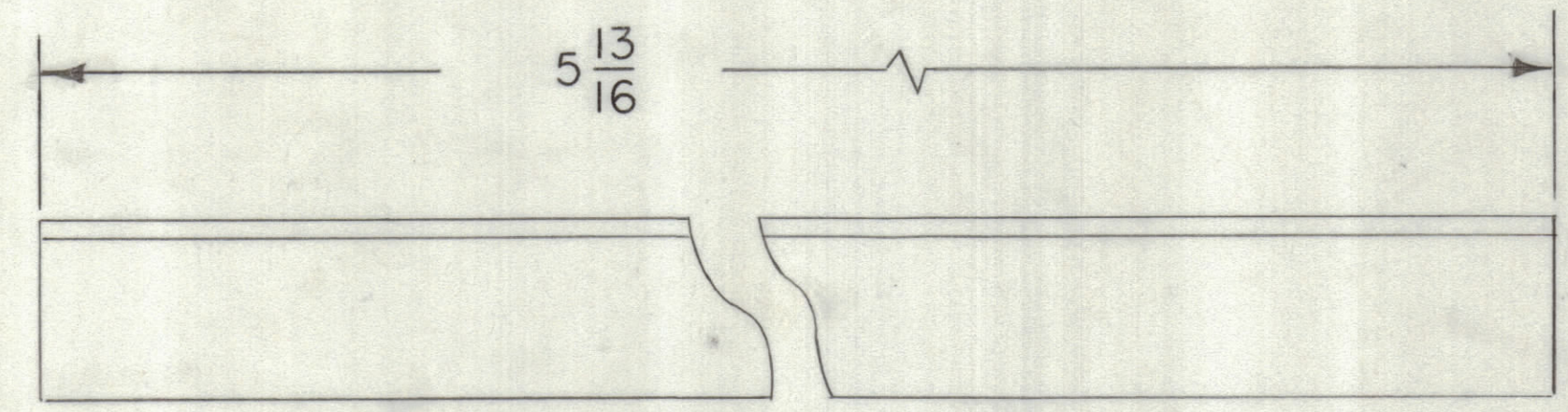
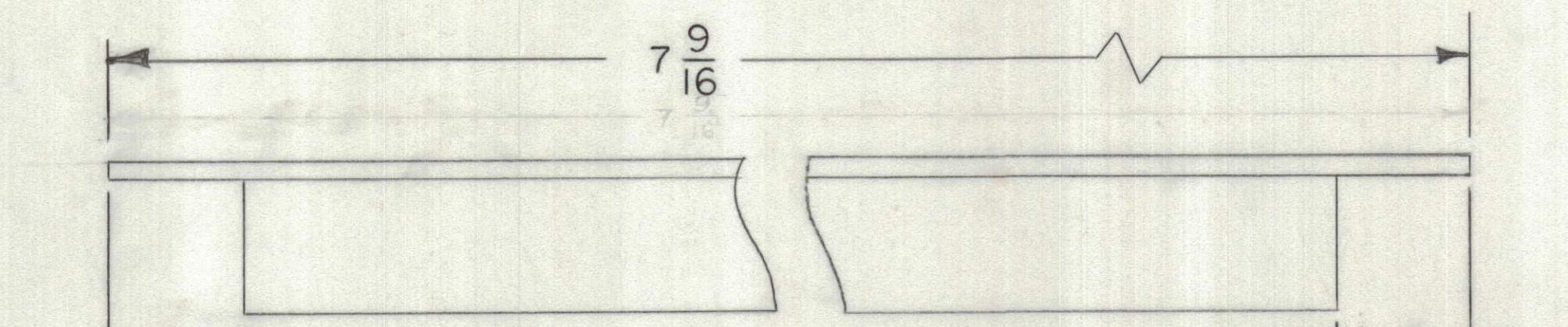


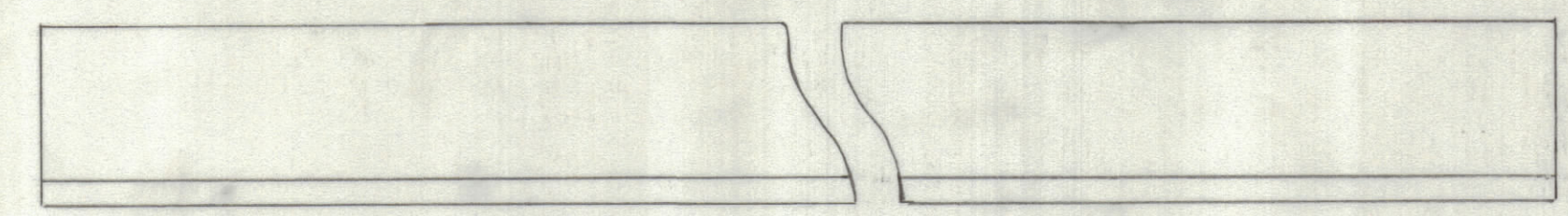
REVISIONS							
ZONE	LTR	DESCRIPTION	DATE	E.M.N.NO	DRAFT	CHKD	APPD
	A	ITEMS 5, 6, AND 7 ADDED FINISH AND MAT NOTES REVISED	15 MAR 68	-	RES	RES	RES
	X	DWG. No. WAS 40M12D7082	7-22-66		C. G. ROE		
	Ø	ORIGINAL RELEASE FOR PRODUCTION	8-15-69		HJT		



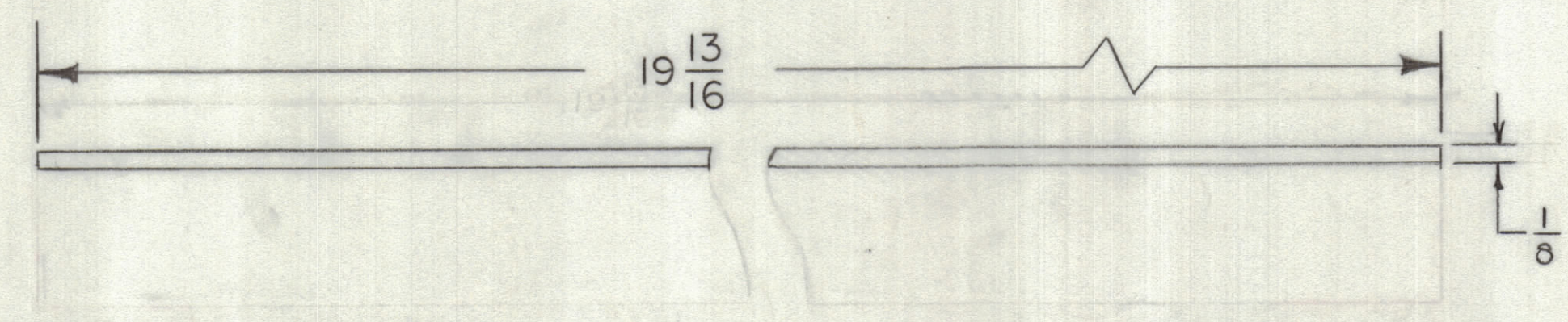
TOP ENDS - 6



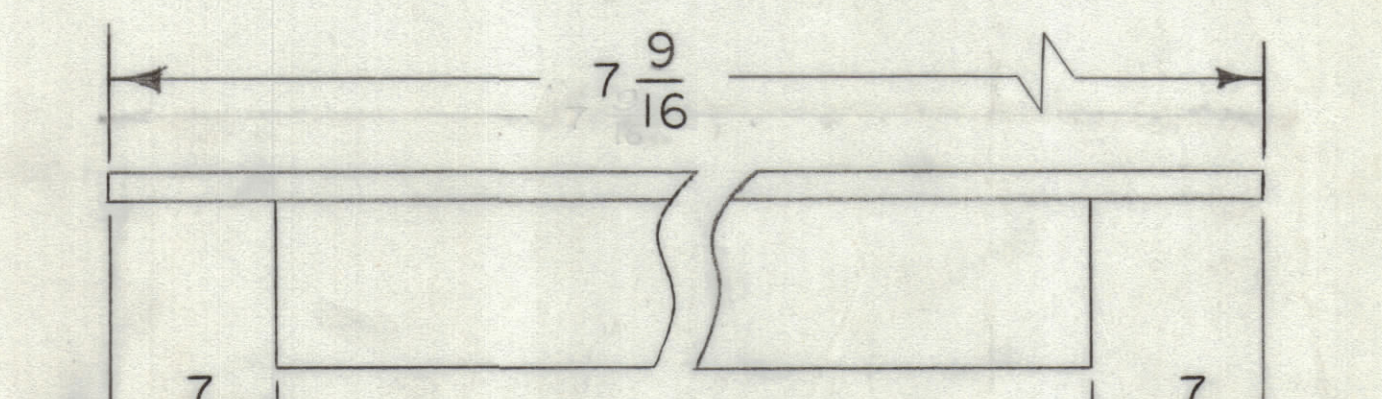
BOTTOM ENDS - 3



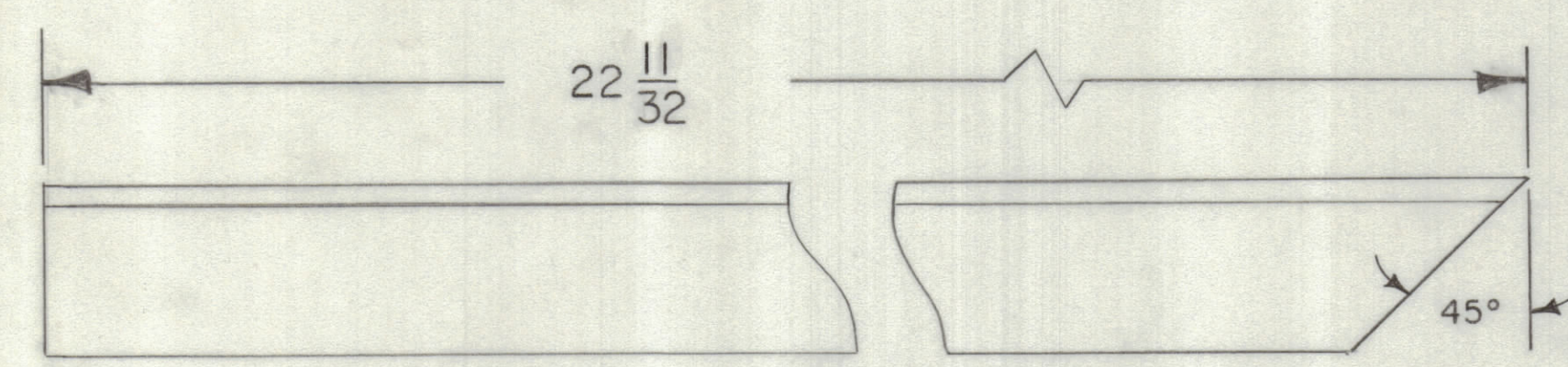
TOP FRONT AND REAR - 7



BOTTOM FRONT AND REAR - 5

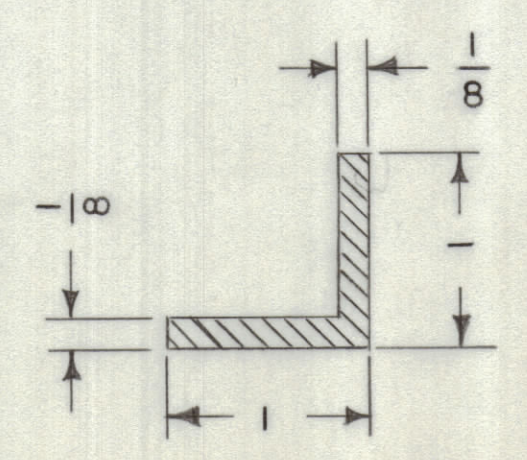


TOP CROSSMEMBER - 4



CORNER VERTICALS - 2, - 1 MIRROR IMAGE

NOTES
 1 MATERIAL 6063
 NOTE 2 FOR ASS'Y. SEE SHEET 6



TYPICAL CROSSSECTION
EXCEPT - 5

QTY / UNIT	MODEL USED ON	ASS'Y NO.
1	SPT-3KVHF	AP140
APPLICATION		
CODE		

NOTICE TO PERSONS RECEIVING THIS DRAWING
 THE TECHNICAL MATERIEL CORPORATION claims proprietary right in the material disclosed hereon. This drawing is issued in confidence for engineering information only and may not be reproduced or used to manufacture anything shown hereon without permission from THE TECHNICAL MATERIEL CORPORATION to the user. This drawing is loaned for mutual assistance and is subject to recall at any time.

DECIMALS	FRACTIONS
.X ± .05	± 1/64
.XX ± .01	ANGLES ± 0° - 30'
.XXX ± .005	

UNLESS OTHERWISE SPECIFIED DIMENSIONS ARE IN INCHES AND INCLUDE CHEMICALLY APPLIED OR PLATED FINISHES

QTY. REQ.	ITEM	PART NO.	DESCRIPTION	SYMBOL
LIST OF MATERIAL				
THE TECHNICAL MATERIEL CORP. MAMARONECK, NEW YORK				
FRAME DETAILS SCREEN SUPPLY				
SIZE	CODE IDENT. NO.	DWG NO.	ISSUE	
D	82679	40MMS83412	Ø	
SCALE 1:1			SHEET 7 OF	