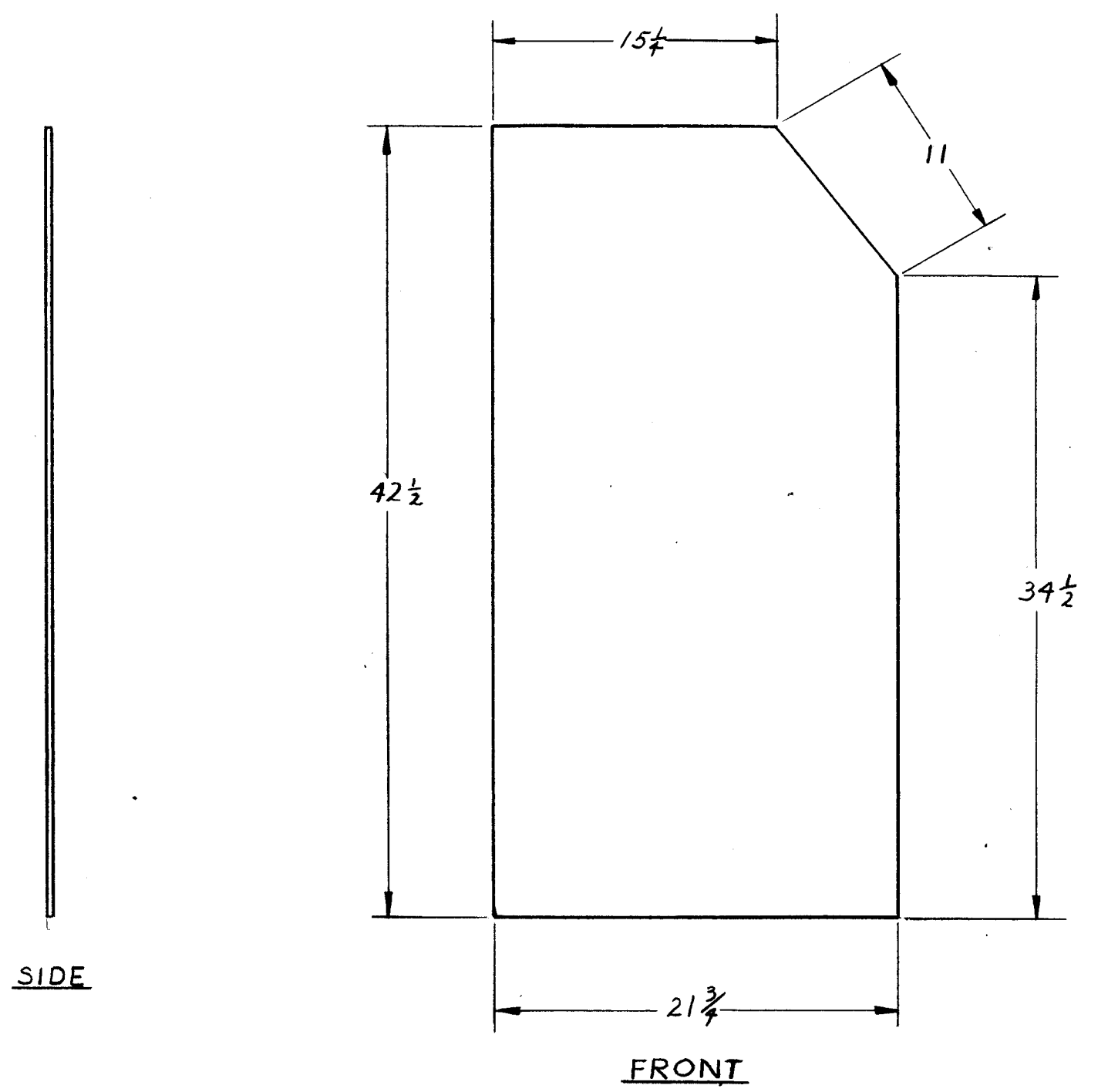


REVISIONS							
ZONE	LTR	DESCRIPTION	DATE	E.M.N.NO	DRAFT	CHKD	APPD
	Ø	ORIGINAL RELEASE FOR PRODUCTION	5/19/69	#	GE		



REQ'D	ITEM	PART NUMBER	DESCRIPTION	SYM.
LIST OF MATERIAL				
THE TECHNICAL MATERIEL CORP. MAMARONECK, NEW YORK				
SIDE SKIN				
SIZE	CODE IDENT. NO.	DWG NO.	ISSUE	
B	82679	MS 8253	Ø	
SCALE	x		SHEET 1 OF 1	

UNIT 17		
QTY / UNIT	MODEL USED ON	ASS'Y NO.
APPLICATION		
	CODE	

UNLESS OTHERWISE SPECIFIED DIMENSIONS ARE IN INCHES AND INCLUDE CHEMICALLY APPLIED OR PLATED FINISHES

DECIMALS .X ± .05 .XX ± .01 .XXX ± .005

FRACTIONS 1/64 TOLS. ANGLES 0° - 30'

MATERIAL .051 THK. 5052 ALUM.

FINISH S404 YEL. IRIDITE

FINAL APPROVAL *JAM* DATE 5/26/69

MECH. DES. DATE

ELECT. DES. DATE

CHECKED *S.M.O.* DATE 5/26/69

DRAWN *C. Grob* DATE 5/23/69

**NOTICE TO PERSONS RECEIVING THIS DRAWING**  
 THE TECHNICAL MATERIEL CORPORATION claims proprietary right in the material disclosed hereon. This drawing is issued in confidence for engineering information only and may not be reproduced or used to manufacture anything shown hereon without permission from THE TECHNICAL MATERIEL CORPORATION to the user. This drawing is loaned for mutual assistance and is subject to recall at any time.