

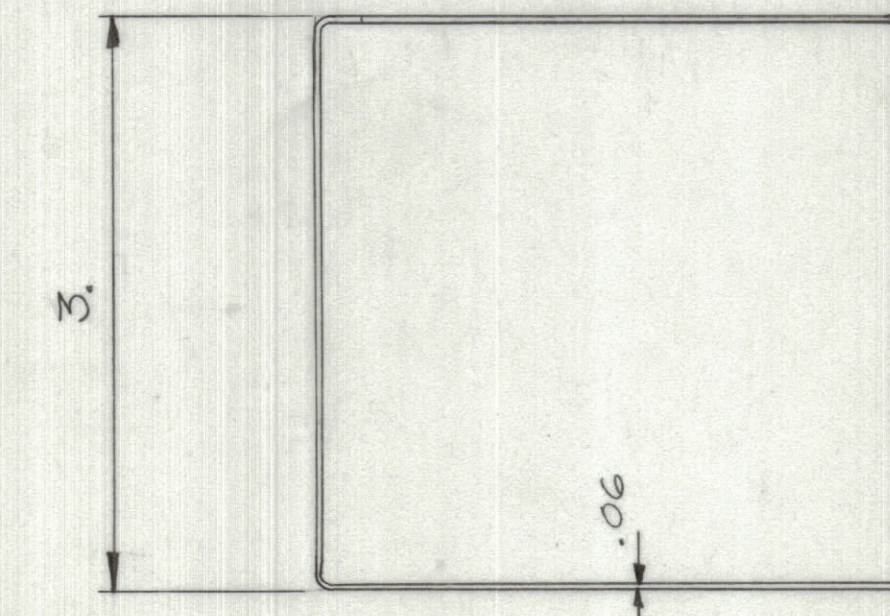
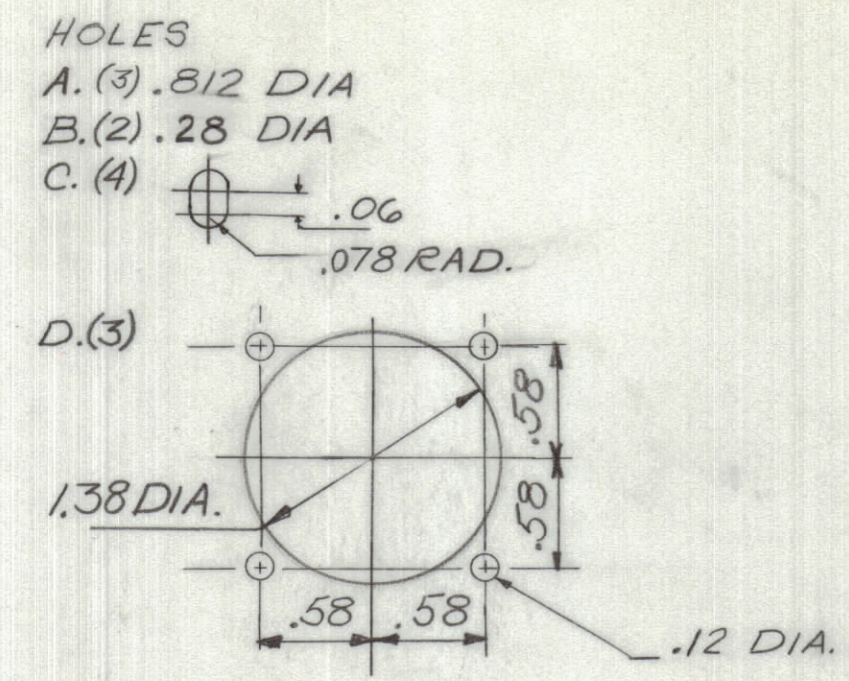
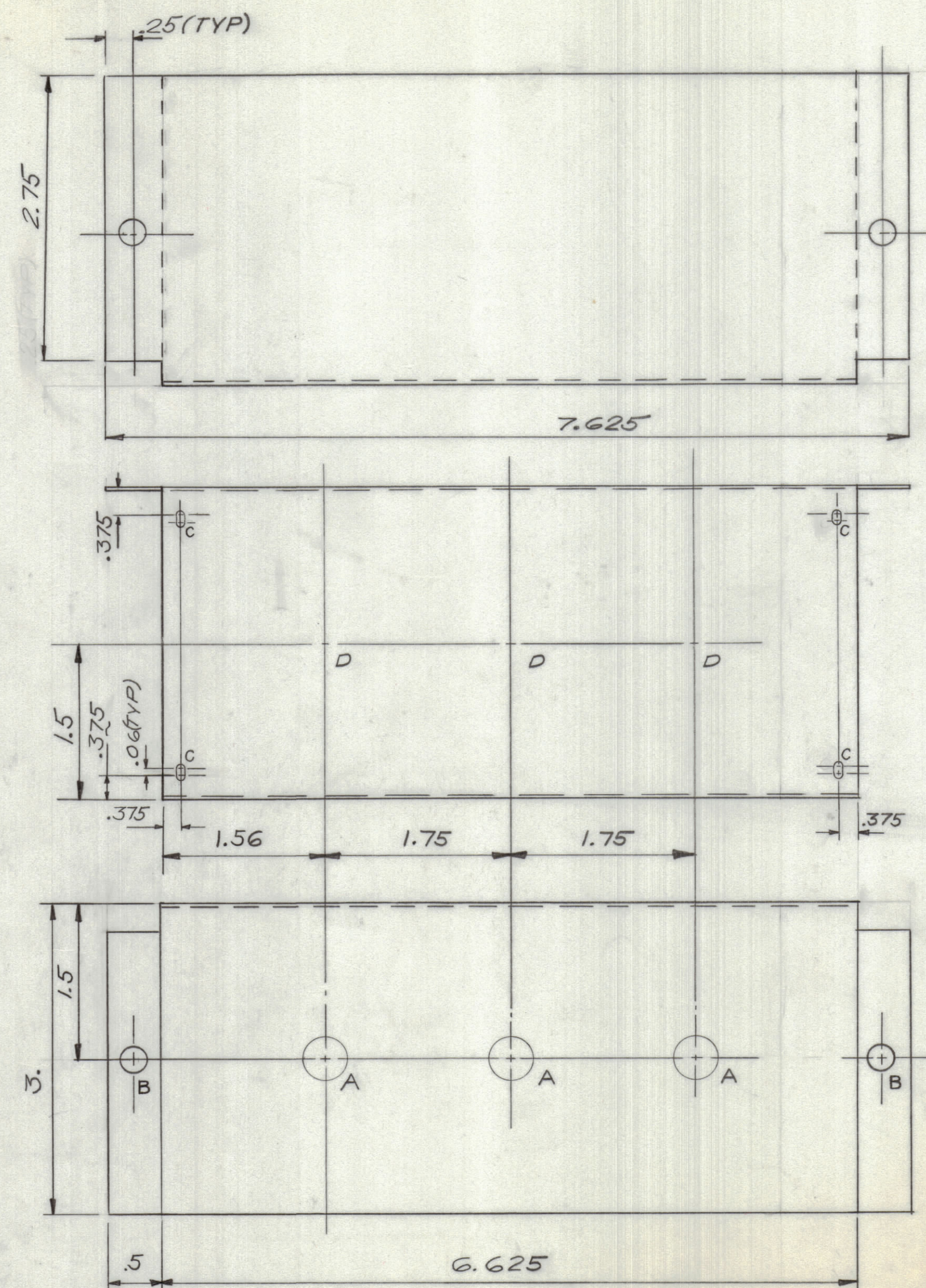
4

3

2

1

REVISIONS							
ZONE	LTR	DESCRIPTION	DATE	E.M.N.NO	DRAFT	CHKD	APPD



FINISH
3404 IRIDITE

1	AX 8046	19A
QTY / UNIT	MODEL USED ON	ASS'Y NO.
APPLICATION		
CODE		

NOTICE TO PERSONS RECEIVING THIS DRAWING
THE TECHNICAL MATERIEL CORPORATION claims proprietary right in the material disclosed hereon. This drawing is issued in confidence for engineering information only and may not be reproduced or used to manufacture anything shown hereon without permission from THE TECHNICAL MATERIEL CORPORATION to the user. This drawing is loaned for mutual assistance and is subject to recall at any time.

UNLESS OTHERWISE SPECIFIED DIMENSIONS ARE IN INCHES AND INCLUDE CHEMICALLY APPLIED OR PLATED FINISHES

TOLERANCES ON

DECIMALS	FRACTIONS
.X ± .05	± 1/64
.XX ± .01	ANGLES
.XXX ± .005	± 0° -30'

MATERIAL .064 THK
ALUM 5052-H32

FINISH
NOTED

QTY. REQ.	ITEM	PART NO.	DESCRIPTION	SYMBOL
LIST OF MATERIAL				
FINAL APPROVAL		DATE	THE TECHNICAL MATERIEL CORP.	
MECH. DES.		DATE	MAMARONECK, NEW YORK	
ELECT. DES.		DATE	PROJ IMP MATCH	
CHECKED		DATE	TRANSFORMER	
DRAWN		DATE	MTG. BRACKET	
SIZE	CODE	IDENT. NO.	DWG NO.	ISSUE
C	82679	MS	8186	Ø
SCALE			SHEET	OF

4

3

2

1

MS8186

A