

5

4

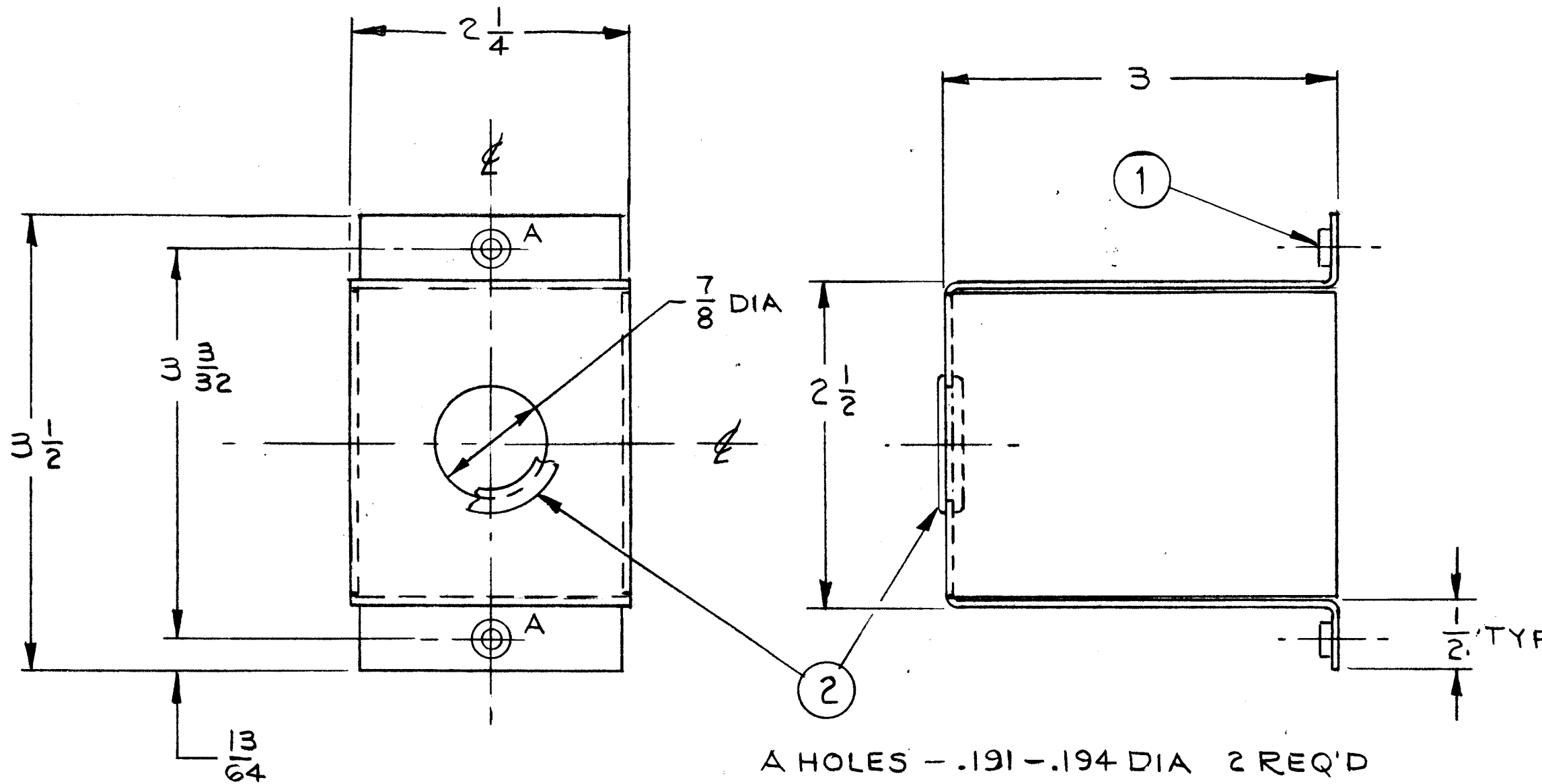
3

2

1

REVISIONS

ZONE	LTR	DESCRIPTION	DATE	E.M.N.NO	DRAFT	CHKD	APPD
------	-----	-------------	------	----------	-------	------	------



A HOLES - .191-.194 DIA 2 REQ'D

REQ'D	ITEM	PART NUMBER	DESCRIPTION	SYM.
1	2	EY102-8	GROMMET	
2	1	NT129-6-32-3	NUT, ROUND, SWAGE TYPE	

LIST OF MATERIAL

1	16D	
QTY / UNIT	MODEL USED ON	ASS'Y NO.
APPLICATION		
	CODE	

**NOTICE TO PERSONS RECEIVING THIS DRAWING**  
 THE TECHNICAL MATERIEL CORPORATION claims proprietary right in the material disclosed hereon. This drawing is issued in confidence for engineering information only and may not be reproduced or used to manufacture anything shown hereon without permission from THE TECHNICAL MATERIEL CORPORATION to the user. This drawing is loaned for mutual assistance and is subject to recall at any time.

UNLESS OTHERWISE SPECIFIED  
 DIMENSIONS ARE IN INCHES  
 AND INCLUDE CHEMICALLY APPLIED  
 OR PLATED FINISHES

DECIMALS	FRACTIONS
.X ± .05	1/64
.XX ± .01	TOLS. ANGLES
.XXX ± .005	0°-30'

MATERIAL .051 THK  
 ALUM 5052-H32  
 FINISH  
 S404 IRIDITE

FINAL APPROVAL	DATE
MECH. DES.	DATE
ELECT. DES.	DATE
CHECKED	DATE
DRAWN	DATE

THE TECHNICAL MATERIEL CORP.  
 MAMARONECK, NEW YORK

SWITCH BRACKET  
 UNIT 16D

SIZE	CODE IDENT. NO.	DWG NO.	ISSUE
B	82679	MS8160	Ø
SCALE	FULL	SHEET	OF