

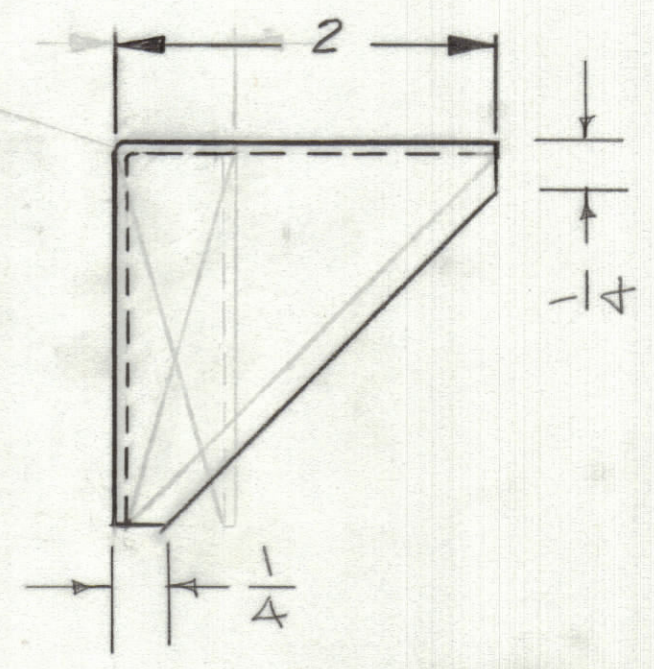
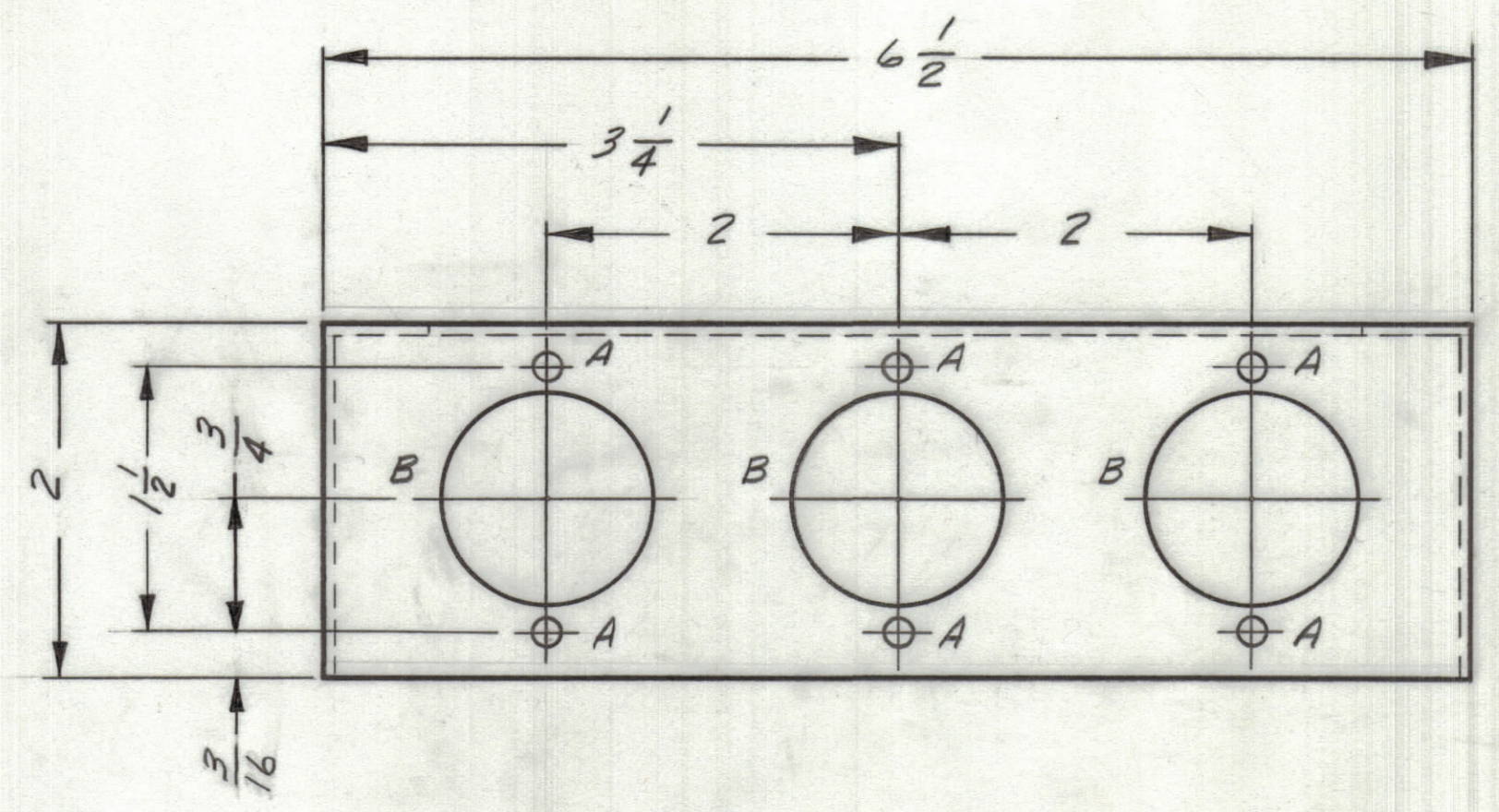
4

3

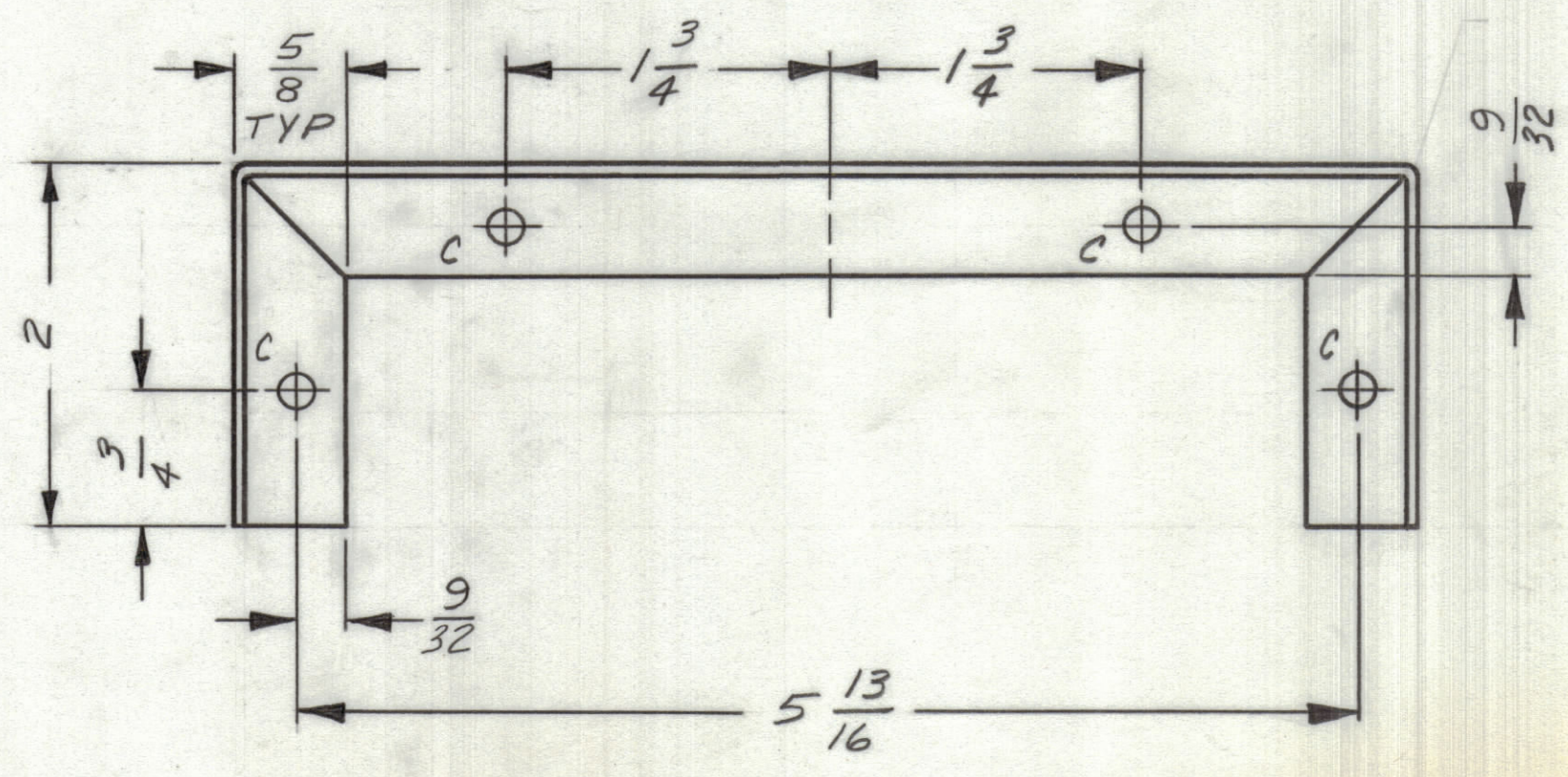
2

1

REVISIONS							
ZONE	LTR	DESCRIPTION	DATE	E.M.N.NO	DRAFT	CHKD	APPD



HOLES:  
 A - 5/32 DIA 6 REQD  
 B - 13/16 DIA 3 REQD  
 C - 3/16 DIA 4 REQD



REF: LD 8020

QTY. REQ.	ITEM	PART NO.	DESCRIPTION	SYMBOL
LIST OF MATERIAL				
THE TECHNICAL MATERIEL CORP. MAMARONECK, NEW YORK				
BRACKET, RELAY MTG				
FINAL APPROVAL <i>JMM</i>		DATE 1-2-68	N	
MECH. DES. <i>PM</i>		DATE 1-2-68		
ELECT. DES.		DATE		
CHECKED G. IRLANDI		DATE 1-2-68	N	
DRAWN G.E. ZUCKER		DATE 12-11-67		
MATERIAL .064 5052 H32 ALUM			SIZE C	CODE IDENT. NO. 82679
FINISH 5404 IRIDITE			DWG NO. MS8126	ISSUE Ø
SCALE			SHEET	OF

1	UNIT 7	ASS'Y NO.
QTY / UNIT	MODEL USED ON	
APPLICATION		
CODE		
NOTICE TO PERSONS RECEIVING THIS DRAWING		
<small>THE TECHNICAL MATERIEL CORPORATION claims proprietary right in the material disclosed hereon. This drawing is issued in confidence for engineering information only and may not be reproduced or used to manufacture anything shown hereon without permission from THE TECHNICAL MATERIEL CORPORATION to the user. This drawing is loaned for mutual assistance and is subject to recall at any time.</small>		

4

3

2

1

MS8126