

4

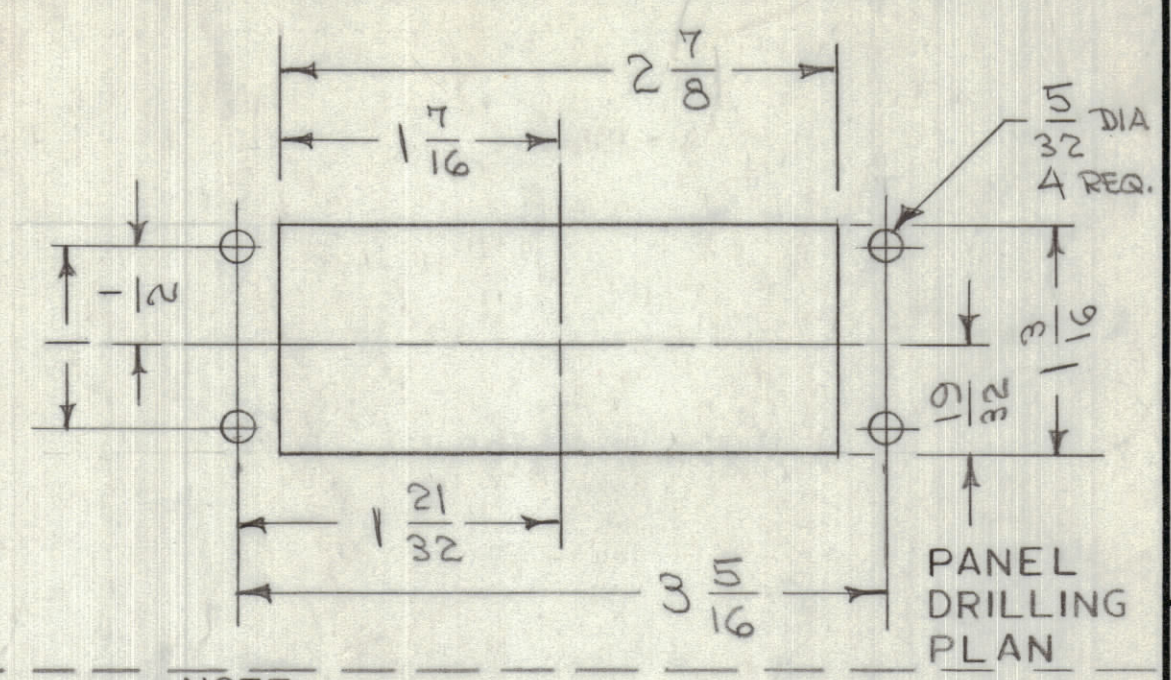
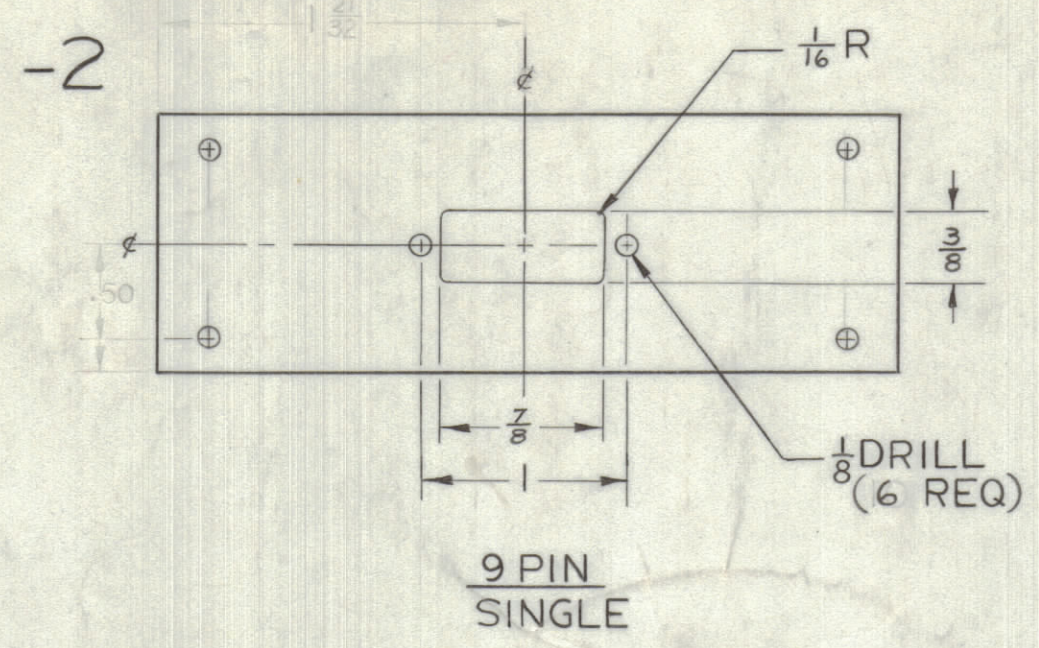
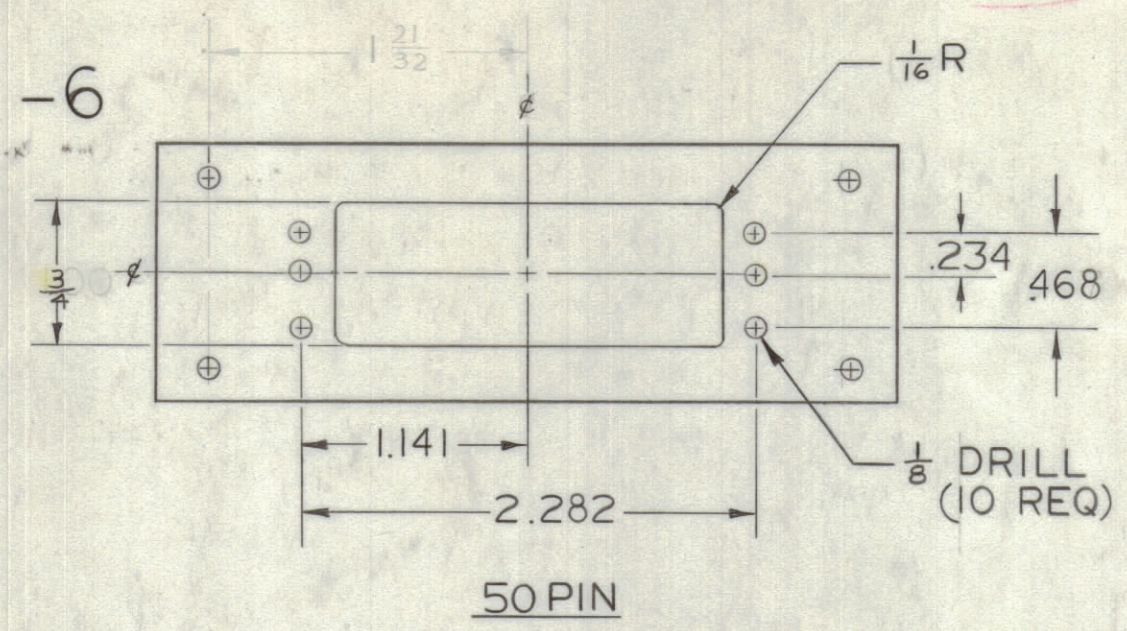
3

2

1

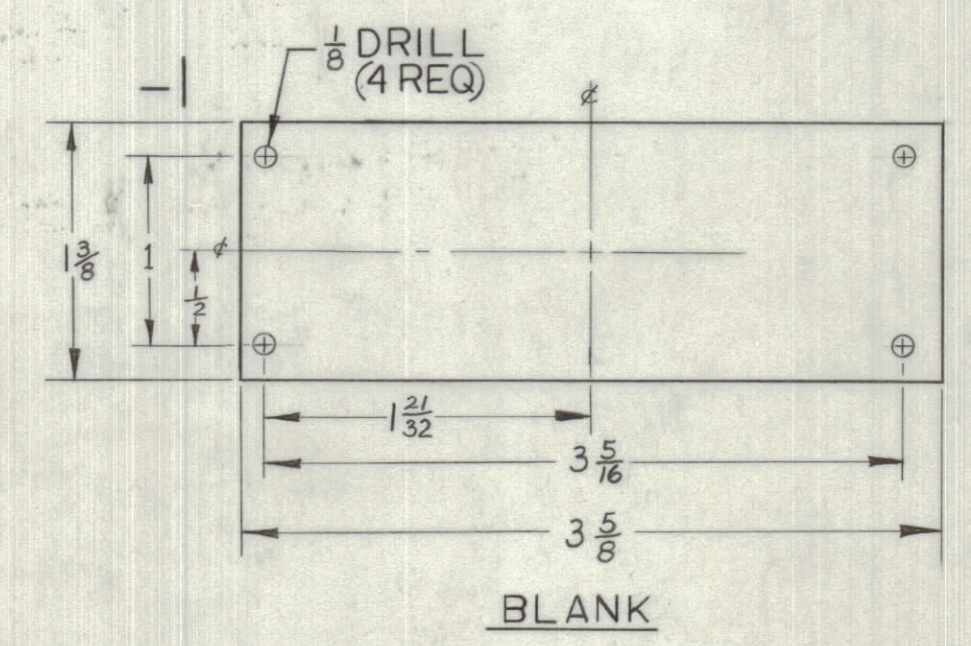
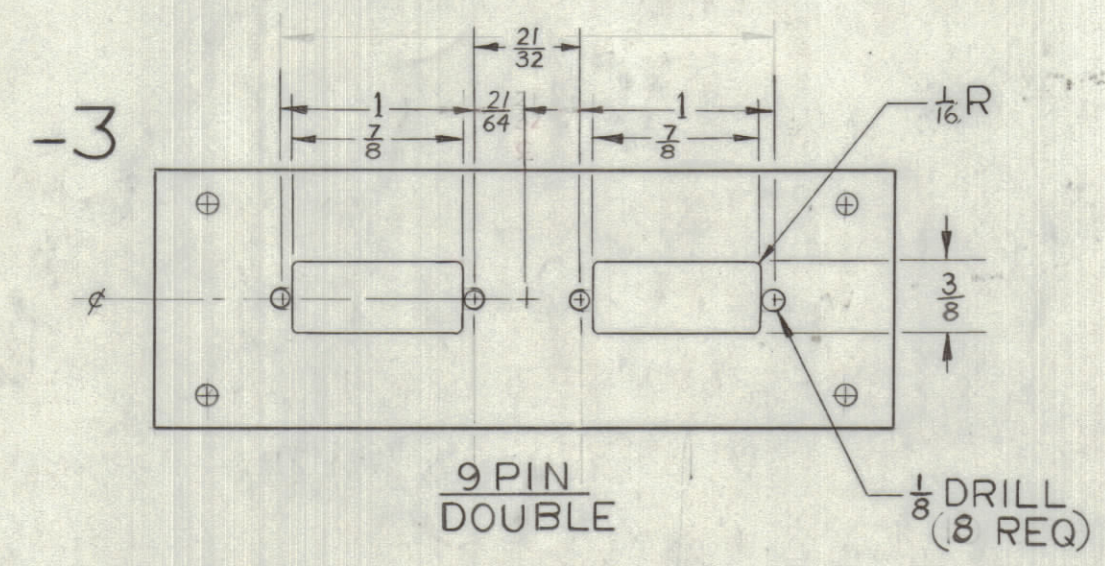
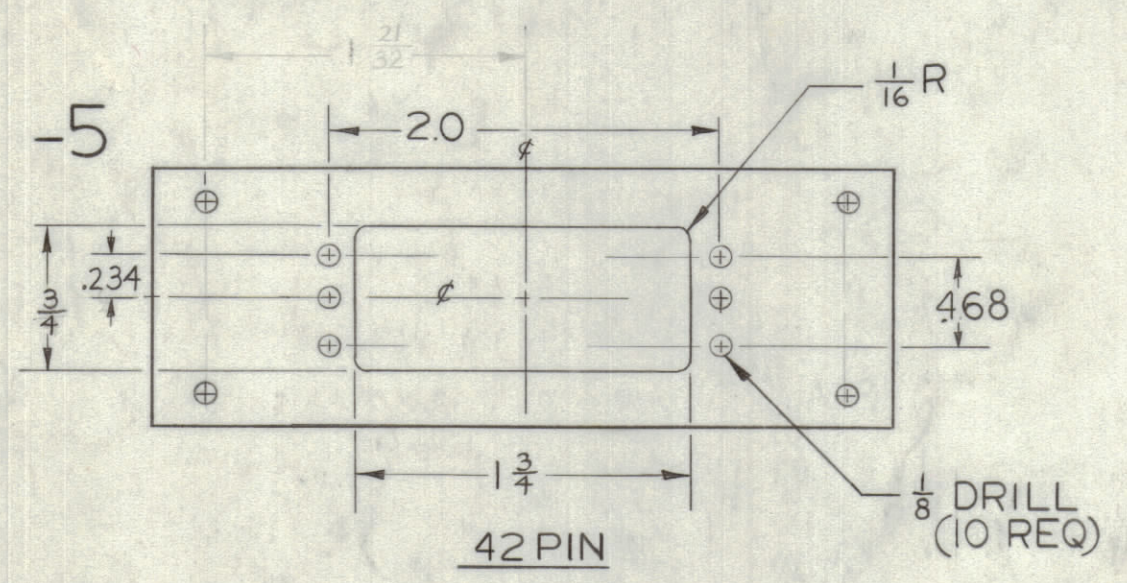
REVISIONS						
ZONE	LTR	DESCRIPTION	DATE	E.M.N.NO	DRAFT	CHKD APPD

D

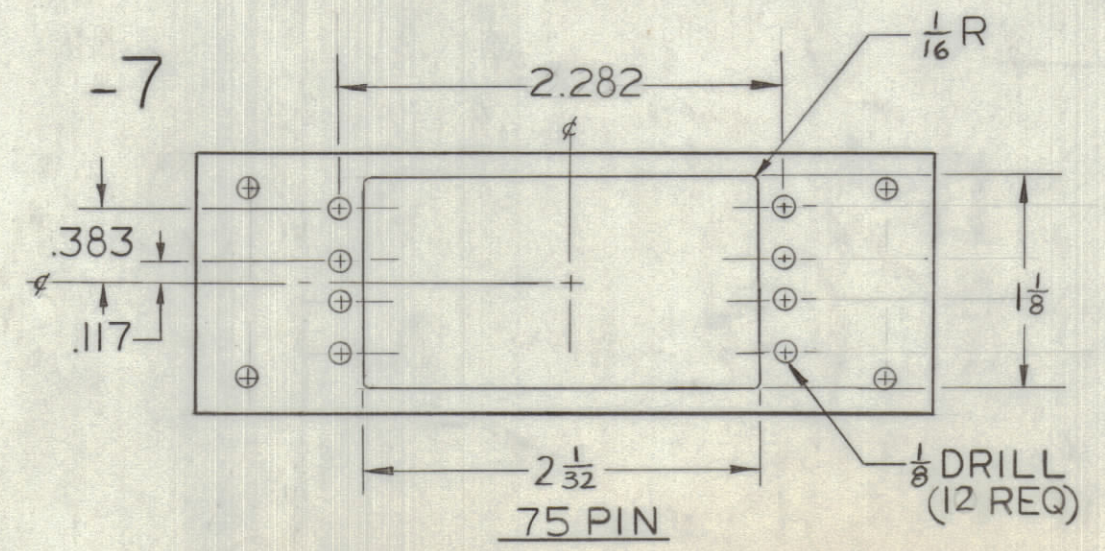
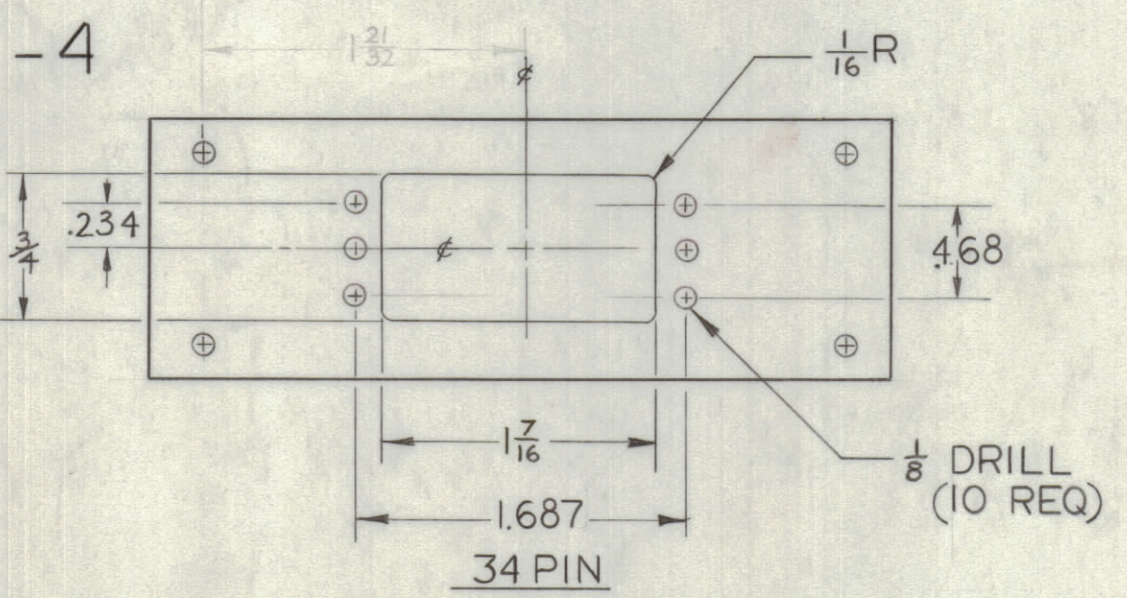


NOTE:
 1. ALL BLANKS EQUAL ON 3 5/8 x 1 3/8 DIM.
 2. ALL MOUNTING HOLES 1/8 DIA 4 REQ ON 3 5/8 x 1 CTR TO CTR NT.

C



B



REF. DWG MS8004

A

QTY / UNIT	MODEL USED ON	ASS'Y NO.
APPLICATION		
CODE		

NOTICE TO PERSONS RECEIVING THIS DRAWING
 THE TECHNICAL MATERIEL CORPORATION claims proprietary right in the material disclosed hereon. This drawing is issued in confidence for engineering information only and may not be reproduced or used to manufacture anything shown hereon without permission from THE TECHNICAL MATERIEL CORPORATION to the user. This drawing is loaned for mutual assistance and is subject to recall at any time.

UNLESS OTHERWISE SPECIFIED DIMENSIONS ARE IN INCHES AND INCLUDE CHEMICALLY APPLIED OR PLATED FINISHES

TOLERANCES ON
 DECIMALS .X ± .05
 .XX ± .01
 .XXX ± .005
 FRACTIONS ± 1/64
 ANGLES ± 0° -30'

MATERIAL 5050 H32 .041 ALUMINUM
 FINISH 5053 A04 IRIDITE

QTY. REQ.	ITEM	PART NO.	DESCRIPTION	SYMBOL
LIST OF MATERIAL				
THE TECHNICAL MATERIEL CORP. MAMARONECK, NEW YORK				
ADAPTER PLATES, AUDIO JACK PANELS				
SIZE	CODE	IDENT. NO.	DWG NO.	ISSUE
C	82679	MS8079		Ø
SCALE				SHEET 1 OF 1

4

3

2

1

MS8079

Ø

A