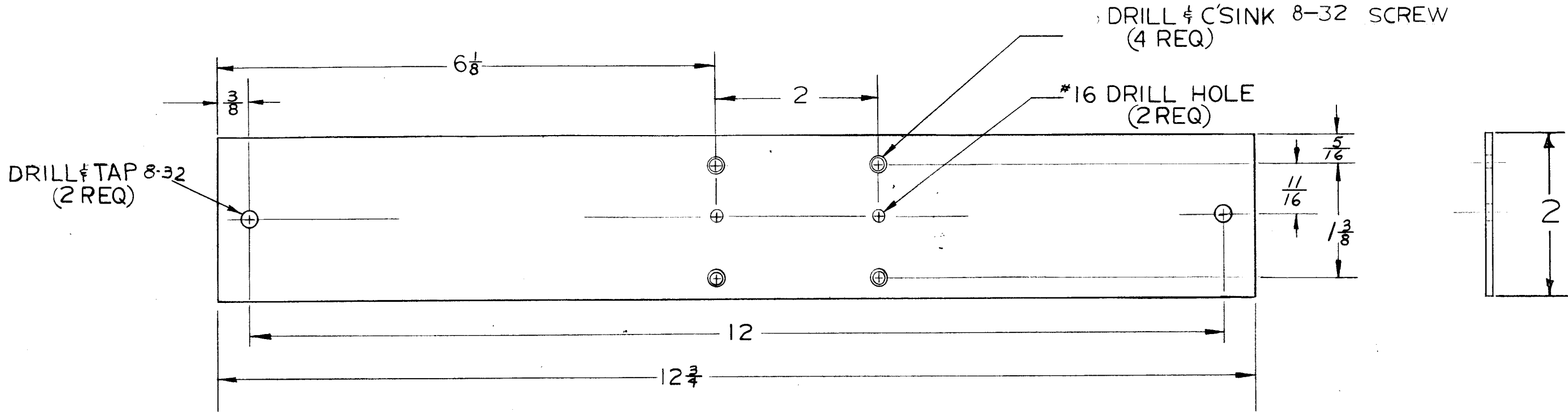


REVISIONS						
ZONE	LTR	DESCRIPTION	DATE	E.M.N.NO	DRAFT	CHKD APPD



HEWLET PACKARD
ADAPTER KIT 1490-0721

REQ'D	ITEM	PART NUMBER	DESCRIPTION	SYM.
LIST OF MATERIAL				
THE TECHNICAL MATERIEL CORP. MAMARONECK, NEW YORK				
BRACKET ADAPTER, LEFT				
QTY / UNIT		MODEL USED ON	ASS'Y NO.	
1		UNIT 11		
APPLICATION				
CODE				
NOTICE TO PERSONS RECEIVING THIS DRAWING THE TECHNICAL MATERIEL CORPORATION claims proprietary right in the material disclosed hereon. This drawing is issued in confidence for engineering information only and may not be reproduced or used to manufacture anything shown hereon without permission from THE TECHNICAL MATERIEL CORPORATION to the user. This drawing is loaned for mutual assistance and is subject to recall at any time.				
DECIMALS .X ± .05 .XX ± .01 .XXX ± .005		FRACTIONS 1/64 ANGLES 0° .30'		FINISH IRIDITE
MATERIAL 2024-T3 1/8 ALUM HARD		FINAL APPROVAL <i>S.P.M.</i> DATE 11/29/67 MECH. DES. <i>L. NOTAPANG</i> DATE 11/13/67 ELECT. DES. DATE CHECKED G. ORLANDI DATE 11-21-67 DRAWN C. Grob DATE 11/		
SIZE	CODE IDENT. NO.	DWG NO.	ISSUE	
B	82679	MS8055	Ø	
SCALE 3/4 = 1			SHEET 1 OF 1	