

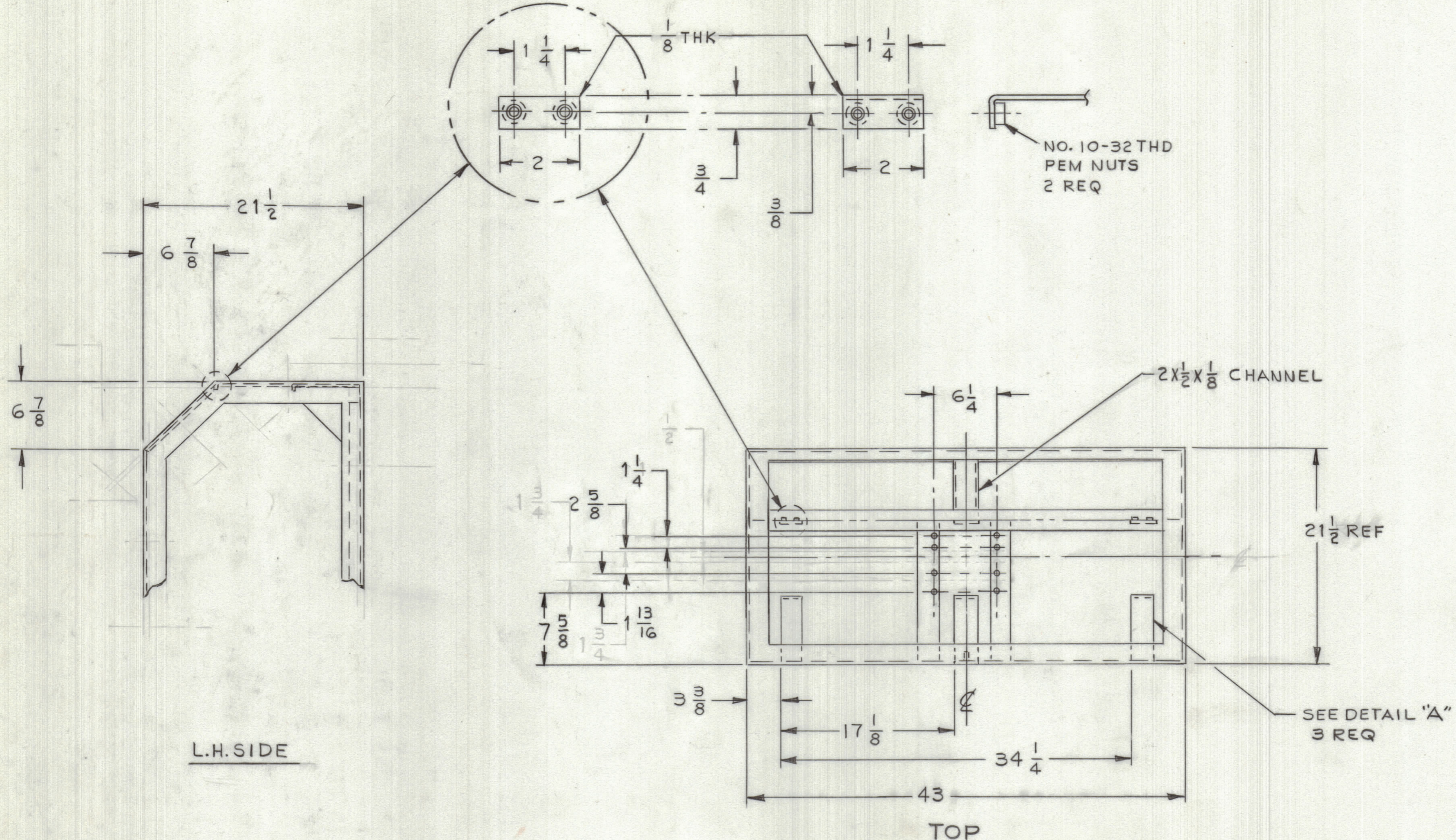
REVISIONS						
ZONE	LTR	DESCRIPTION	DATE	E.M.N.NO	DRAFT	CHKD APPD

D
C
B
A

D
C
B
A

SCALE 1/2
3 REQ

DETAIL A
SCALE 1/2



L.H. SIDE

TOP

QTY. REQ.	ITEM	PART NO.	DESCRIPTION	SYMBOL
-----------	------	----------	-------------	--------

LIST OF MATERIAL

UNLESS OTHERWISE SPECIFIED DIMENSIONS ARE IN INCHES AND INCLUDE CHEMICALLY APPLIED OR PLATED FINISHES		FINAL APPROVAL <i>[Signature]</i>	DATE 4-2-67
TOLERANCES ON		MECH. DES. L NOTARANGELO	DATE 11-2-67
DECIMALS	FRACTIONS	ELECT. DES.	DATE
.X ± .05	± 1/64	CHECKED <i>[Signature]</i>	DATE 11-2-67
.XX ± .01	ANGLES	DRAWN <i>[Signature]</i>	DATE 11-2-67
.XXX ± .005	± 0° -30'		

THE TECHNICAL MATERIEL CORP.
MAMARONECK, NEW YORK

MODIFICATION
TER 20K-50

QTY / UNIT	MODEL USED ON	ASS'Y NO.
APPLICATION		
CODE		

NOTICE TO PERSONS RECEIVING THIS DRAWING
THE TECHNICAL MATERIEL CORPORATION claims proprietary right in the material disclosed hereon. This drawing is issued in confidence for engineering information only and may not be reproduced or used to manufacture anything shown hereon without permission from THE TECHNICAL MATERIEL CORPORATION to the user. This drawing is loaned for mutual assistance and is subject to recall at any time.

SIZE	CODE IDENT. NO.	DWG NO.	ISSUE
C	82679	MS 8035	Ø
SCALE		SHEET	OF

4

3

2

1

MS 8035
Ø

A