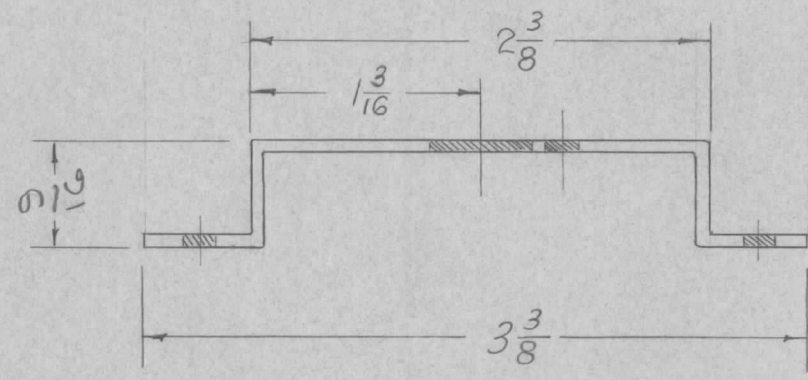
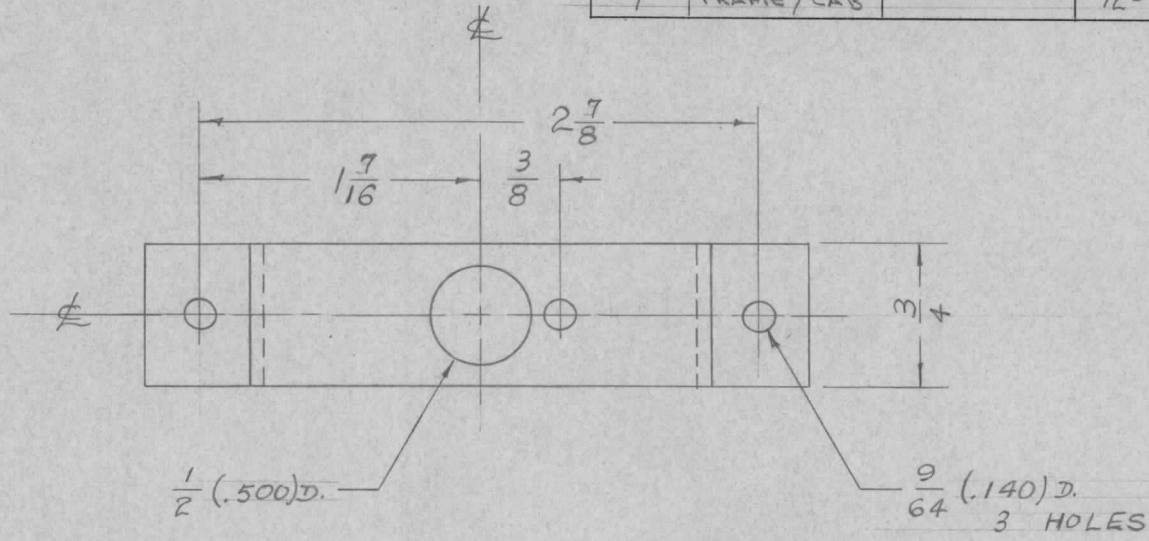


REQ. PER UNIT	USED ON			MS-773	B
	MODEL	ASS'Y. NO.	DATE		
1	FRAME/CAB		12-30-55		



BLANK SIZE
3/4 X 4 1/4

ISSUE	ITEM	CHANGED FROM	DATE	CH. NO.	DRAFTS	CHECKER	ENG. APP.	REQ. ITEM	PART NO.	DESCRIPTION	SYMBOL		
									.064	THE TECHNICAL MATERIEL CORP. MAMARONECK, NEW YORK	BRACKET SWITCH		
B	1	S404-IRIDITE WAS S101-CAUSTIC DIP	12-7 59	1001	P	EMN			STOCK SIZE				
A	1	9/16 WAS 1/2	4/11/66	1	CAF	WDC			ALUMINUM				
TOLERANCES								MATERIAL					
DEC. DIM. \pm			SCALE:					5052-H32	—H—	P3 12-30-55	WDC		
FRAC. DIM. \pm 1/64			MAXIMUM ALLOWABLE TOLERANCES HAVE BEEN DETERMINED AND ANY DEVIATIONS WILL BE CAUSE FOR REJECTION. REMOVE ALL BURRS AND SHARP EDGES					TYPE & TEMPER		HEAT TREAT. SPEC.	DRAWN	CHECKED	FINAL APPROVAL
ANGULAR DIM. \pm								S404 IRIDITE					
								FINISH & SPEC. NO.		ELEC. DES. APP.	MECH. DES. APP.		