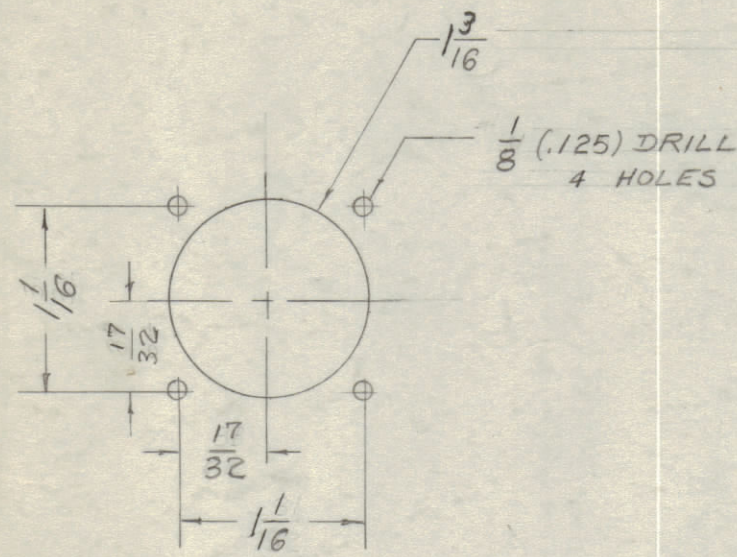
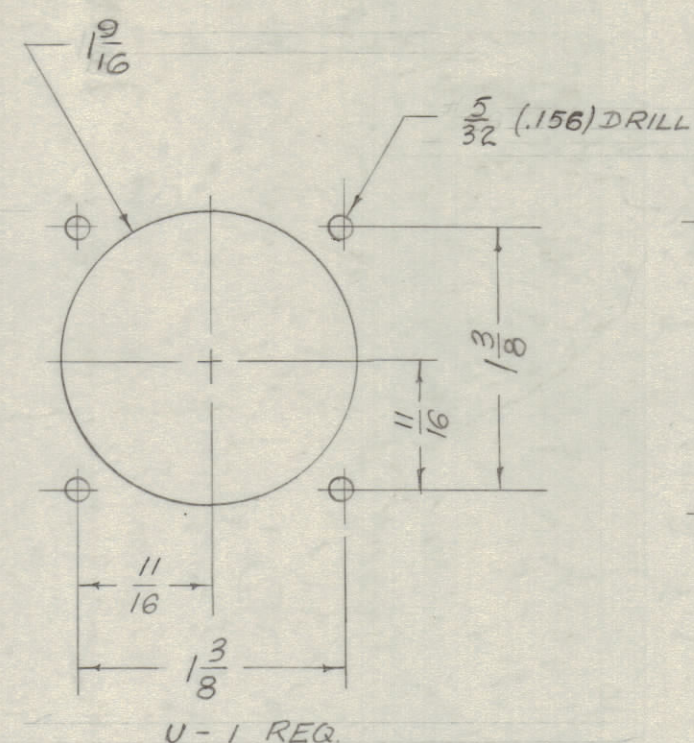


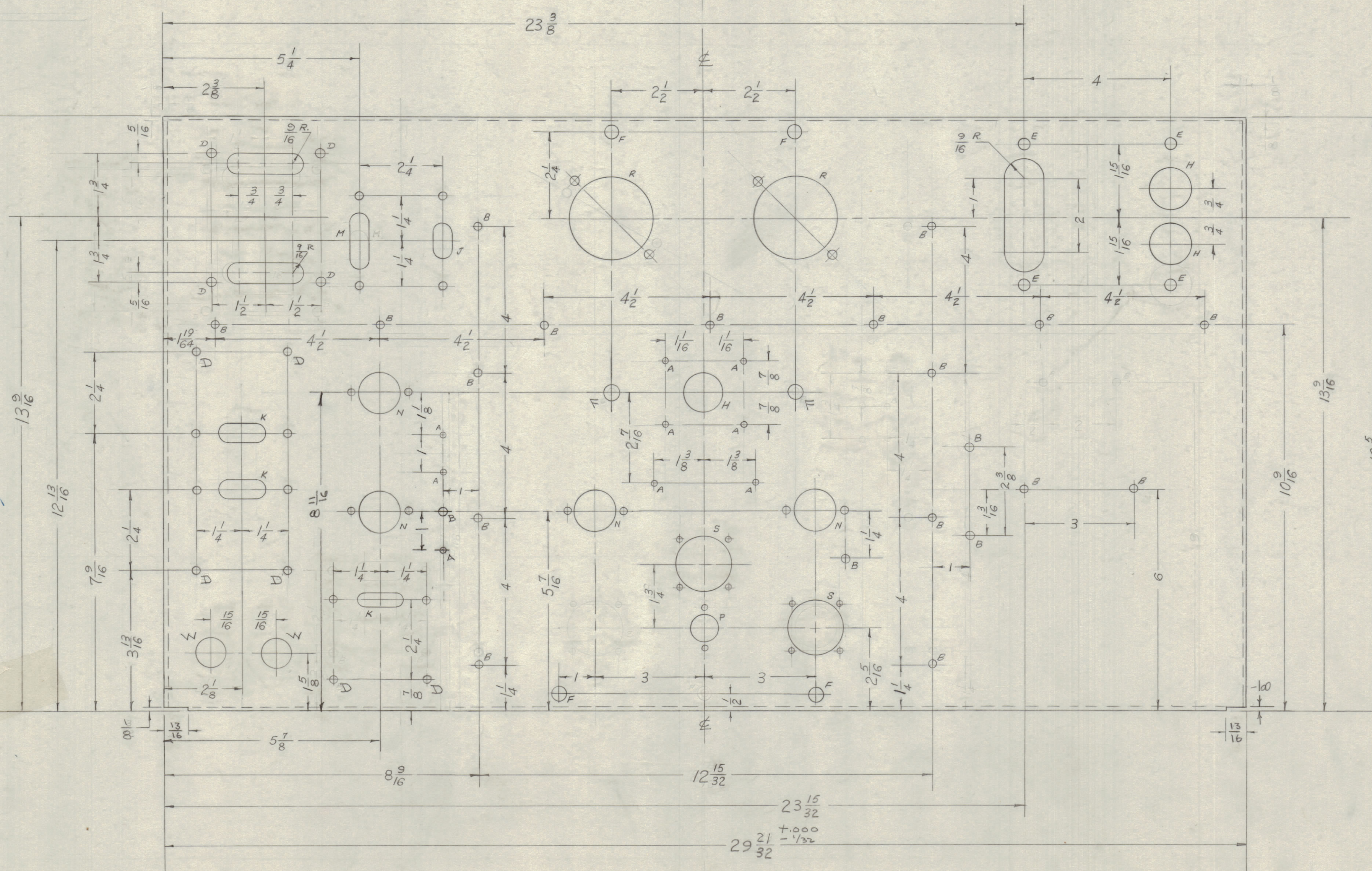
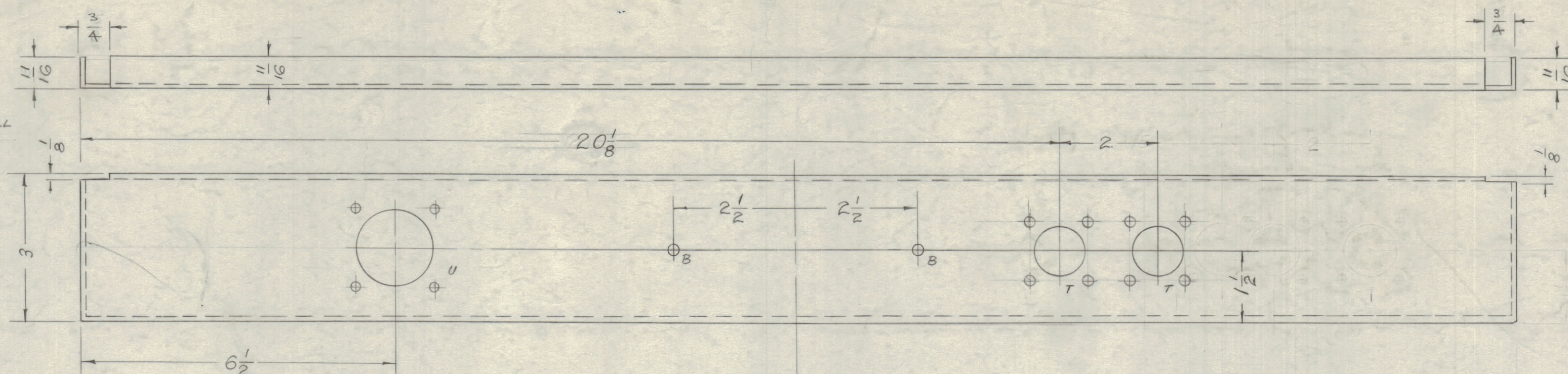
IF IT IS FOUND DESIRABLE TO CHANGE ANY TOLERANCE OR OTHER DETAIL SPECIFIED ON THIS DRAWING NOTIFY THE PURCHASER PROMPTLY.  
 MAXIMUM ALLOWABLE TOLERANCES HAVE BEEN DETERMINED AND DEVIATIONS WILL BE CAUSE FOR REJECTION. REMOVE ALL BURRS AND SHARP EDGES



T-2 REQ.

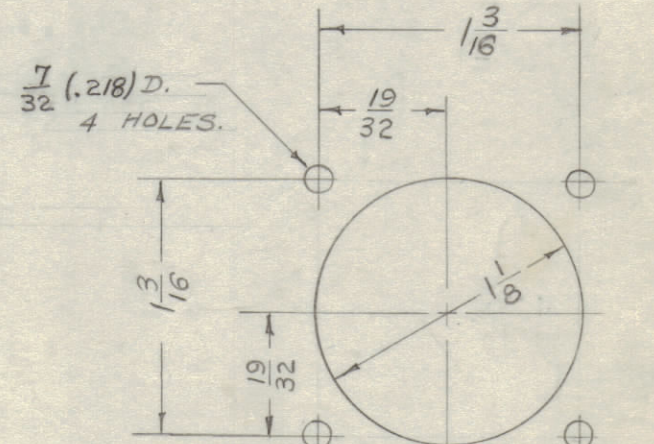
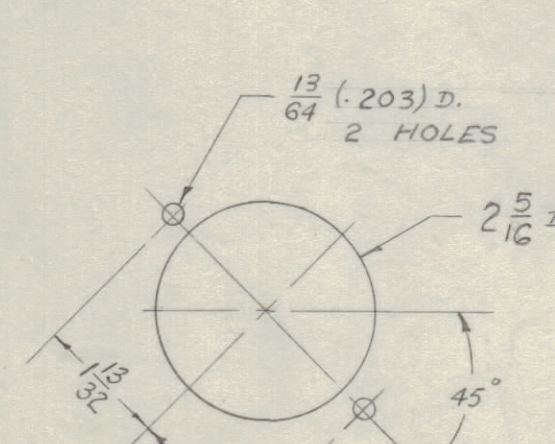
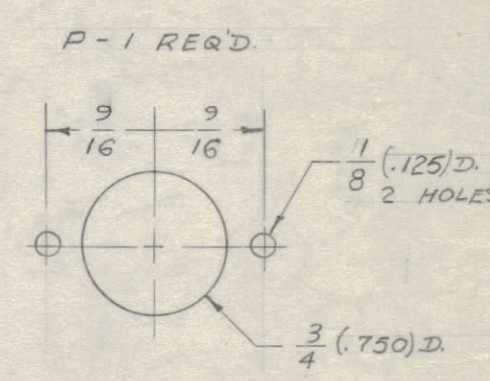
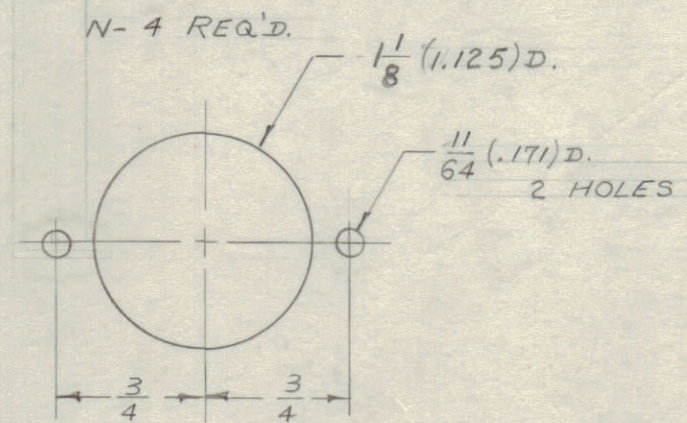
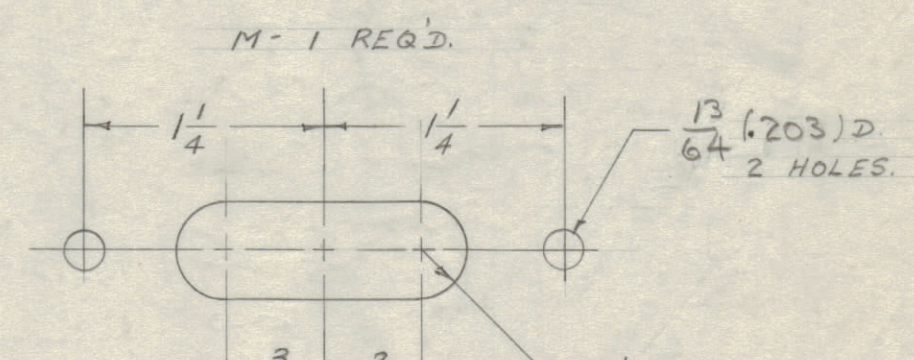
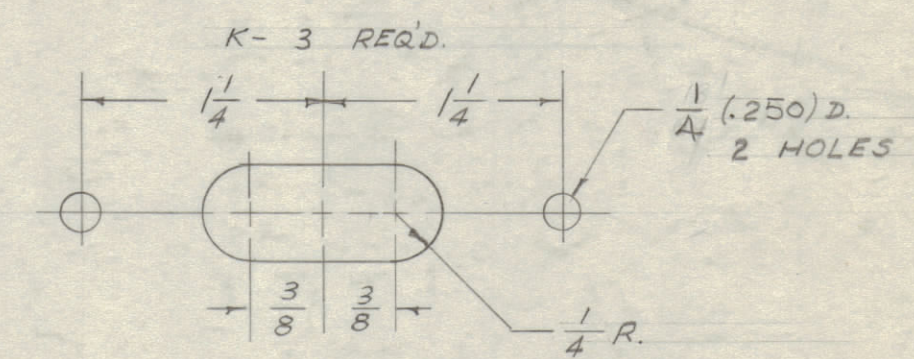
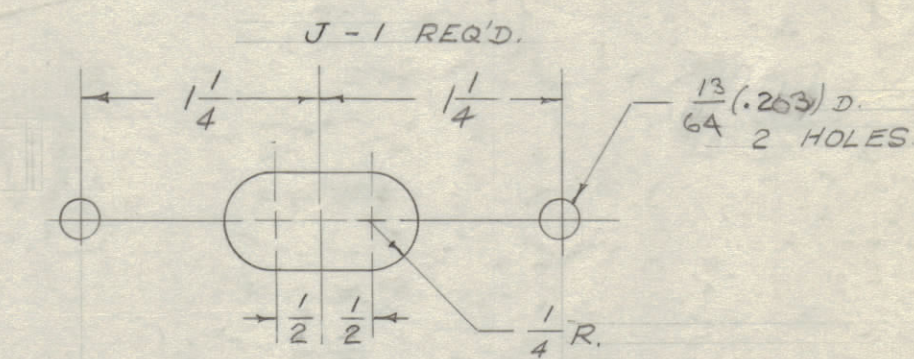


U-1 REQ.



SAME OPPOSITE SIDE

- A- 11/64 (.171)D. 9 HOLES REQ'D.
- B- 13/64 (.203)D. 23 " "
- C- 1/4 (.250)D. 2 " "
- D- 1/4 (.250)D. 2 " "
- E- 5/16 (.312)D. 4 " "
- F- 3/8 (.375)D. 6 " "
- G- 1/2 (.500)D. 2 " "
- H- 1/8 (.125)D. 3 " "
- I- 13/64 x 13/32 16 SLOTS " "
- J- 3/4 (.750) 2 HOLES " "



F	1	S-404 YEL IRIDITE WAS S-101 CAUSTIC DIP	7/9/59	1001	AB		EMN
E	2	6 HOLES DELETED	10/1/54	5	15		
D	1	1 HOLES WAS 27	11/3/54	4	14		
C	1	1 A-4 HOLES ADDED	5/6/56	3	13		
B	1	1 K Detail was 13/64 HOLES	5/6/56	3	13		
A	1	1 S Detail was 13/64 HOLES	3/24/56	1	13		

ISSUE	ITEM	CHANGED FROM	DATE	CN. NO.	DRAFTS	CHECKER	ENG. APP.
TOLERANCES							
SCALE:							
ALL OTHERS	DEC. DIM. ±	FRAC. DIM. ± 1/64	DRILL PUNCH, COMMERCIAL STOCK SIZES AND MANUFACTURERS TOLERANCES ARE NOT INCLUDED.				

REQ. PER UNIT	ITEM	PART NO.	DESCRIPTION	SYMBOL
	.081		THE TECHNICAL MATERIEL CORP. MAMARONECK, NEW YORK	
	STOCK SIZE			
	ALUMINUM		MODULATOR CHASSIS	
	MATERIAL WEIGHT PER PC.			
	5052 - H32		GPT - 750	
	TYPE & TEMPER			
			10-7-55	
	DRAWN			
	ELEC. DES. APP.			
	MECH. DES. APP.			
	HEAT TREAT. SPEC.			
	CHECKED			
	FINAL APPROVAL			
	S-404 YEL IRIDITE			
	FINISH & SPEC. NO.			

1	R.T.M.	PROJECT NO.	ABS'Y. NO.	12-29-55	DATE
USED ON					

MS-728 F