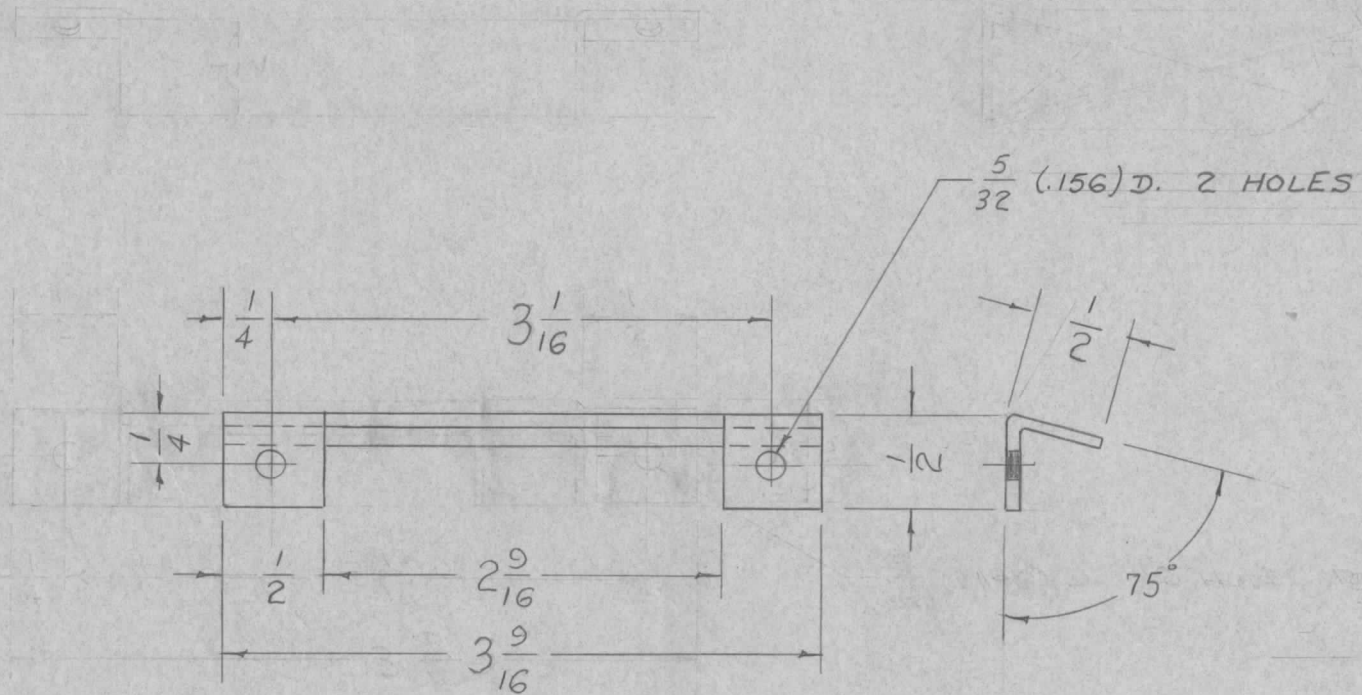


REQ. PER UNIT	USED ON		
	MODEL	ASS'Y. NO.	DATE
1	RTF		10-3-55
1	RTF-2	P/A	11/20/58

MS-724 B



ISSUE	ITEM	CHANGED FROM	DATE	CH. NO.	DRAFTS	CHECKER	ENG. APP.	REQ. ITEM	PART NO.	DESCRIPTION	SYMBOL	
								.051		THE TECHNICAL MATERIEL CORP. MAMARONECK, NEW YORK		
								STOCK SIZE				
B	1	S404 IRIDITE WAS S101 CAUSTIC DIP						ALUMINUM		AIR VANE, R.F. FINAL		
A	1	COMPLETELY REVISED	1-30-56	1	PB	JAL	WC	MATERIAL		POW/AMP		
TOLERANCES			SCALE:					52S H32		DD. 10-3-55	JAL	WC
DEC. DIM. ±			MAXIMUM ALLOWABLE TOLERANCES HAVE BEEN DETERMINED AND ANY DEVIATIONS WILL BE CAUSE FOR REJECTION. REMOVE ALL BURRS AND SHARP EDGES					TYPE & TEMPER	HEAT TREAT. SPEC.	DRAWN	CHECKED	FINAL APPROVAL
FRAC. DIM. ± V64								S404-IRIDITE		1/11/56	WC	MS-724
ANGULAR DIM. ± 1°								FINISH & SPEC. NO.	ELEC. DES. APP.	MECH. DES. APP.		