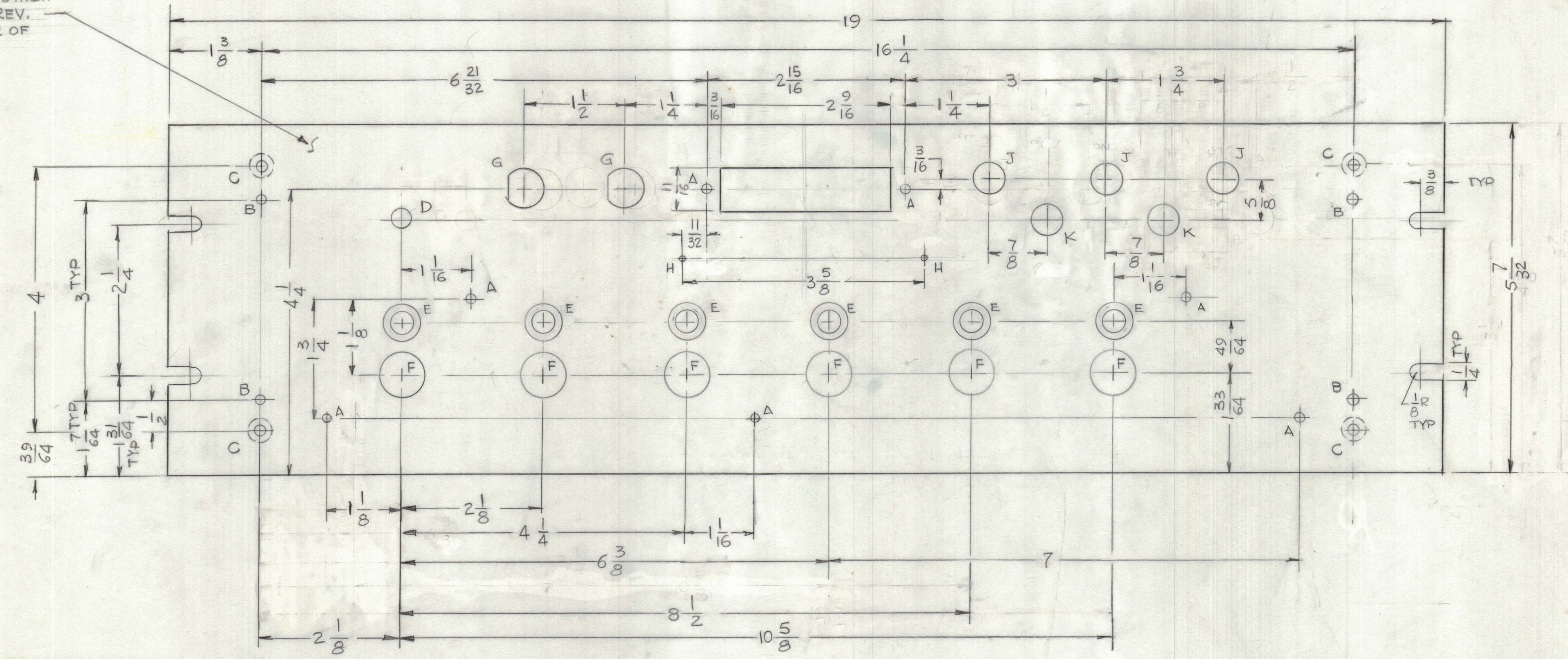


REVISIONS				
E.M.N.O.	DRAFT	CHKD	ZONE	LTR
DESCRIPTION			DATE	APPROVED

MARK TMC P/NO. 1/8 HIGH  
GOTHIC W/LATEST REV.  
LETTER OR REAR OF  
PANEL.



**MACHINING:**

- MILL ALL EDGES.
- HOLES MUST BE DRILLED, UNLESS OTHERWISE SPECIFIED.
- LATERAL BOW OF PANEL MUST BE KEPT TO .031 TOLERANCE.
- PANEL MUST BE FREE OF ALL MACHINING MARKS, GOUGES AND SCRATCHES. IF NECESSARY, SAND FRONT OF PANEL WITH NO. 120 GRIT SANDPAPER.

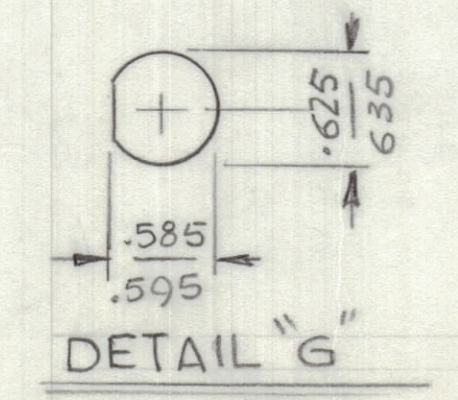
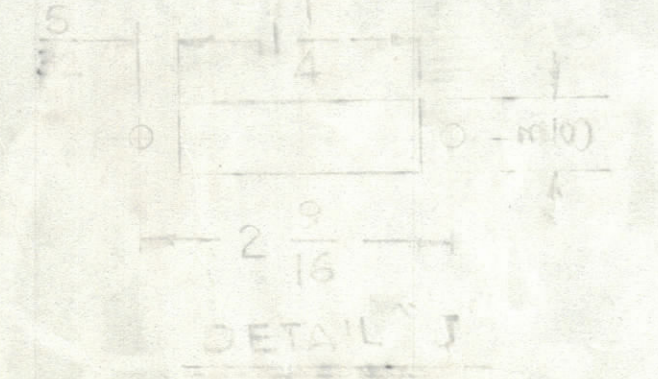
**FINISH NOTES:**

- S404 - IRIDITE 14-2 AL-COAT.
- S114 - ZINC CHROMATE PRIMER

FRONT AND EDGES ONLY  
MIL-E-10509 TYPE 3 CLASS 2- SEMI GLASS BAKING ENAMEL

**HOLE :**

A - 11/64 DIA 5 REQ'D  
 B - 13/64 DIA 4 REQ'D  
 C - .196 DIA C/SNK 82° TO .390 DIA 4 REQ'D  
 D - 13/32 DIA 1 REQ'D  
 E - 11/32 DIA C/SNK 82° TO 19/32 DIA 6 REQ'D  
 F - 11/16 DIA 6 REQ'D  
 G - SEE DETAIL 2 REQ'D  
 H - DRILL # 49 (073) 2 REQ'D  
 J - 15/32 DIA 3 REQ'D  
 K - 1/2 DIA 2 REQ'D



QTY. REQ.	ITEM	PART NO.	DESCRIPTION	SYMBOL
REF: LD2123				
LIST OF MATERIAL				
FINAL APPROVAL		DATE		
MECH. DES.		DATE		
ELECT. DES.		DATE		
CHECKED		DATE		
DRAWN		DATE		
MATERIAL 3/16THK ALUM ALLOY 2024 T3		SIZE CODE IDENT NO. DWG NO.		
FINISH SEE NOTE		D 82679 MS7005-2		
SCALE 1:1		SHEET 2 OF 2		

MFO		
QTY / UNIT	MODEL USED ON	ASS'Y NO.
APPLICATION		
CODE		

**NOTICE TO PERSONS RECEIVING THIS DRAWING**  
 THE TECHNICAL MATERIEL CORPORATION claims proprietary right in the material disclosed hereon. This drawing is issued in confidence for engineering information only and may not be reproduced or used to manufacture anything shown hereon without permission from THE TECHNICAL MATERIEL CORPORATION to the user. This drawing is loaned for mutual assistance and is subject to recall at any time.

D

C

B

A

D

C

B

A