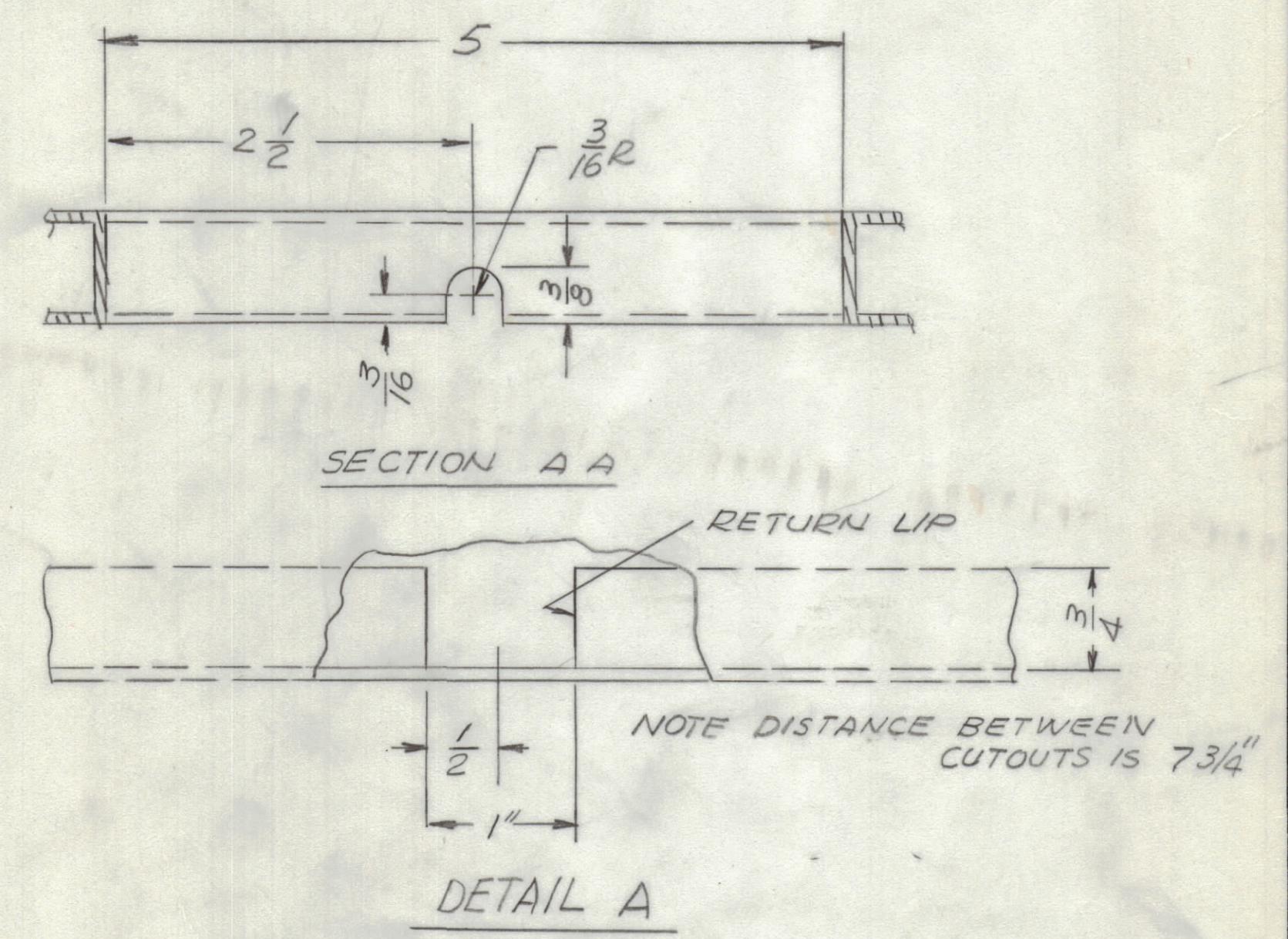
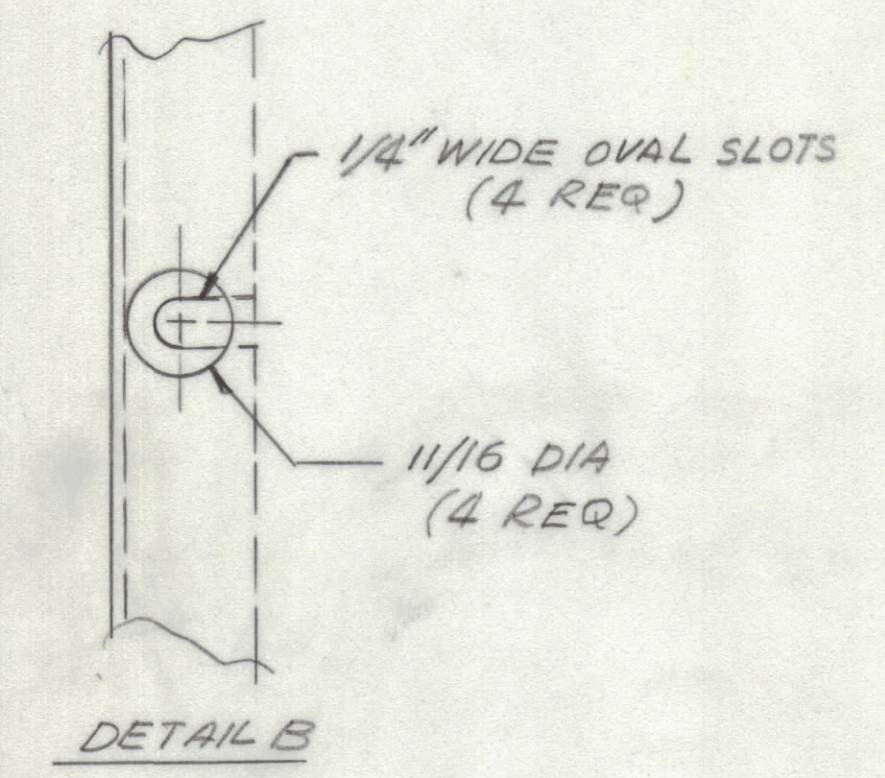
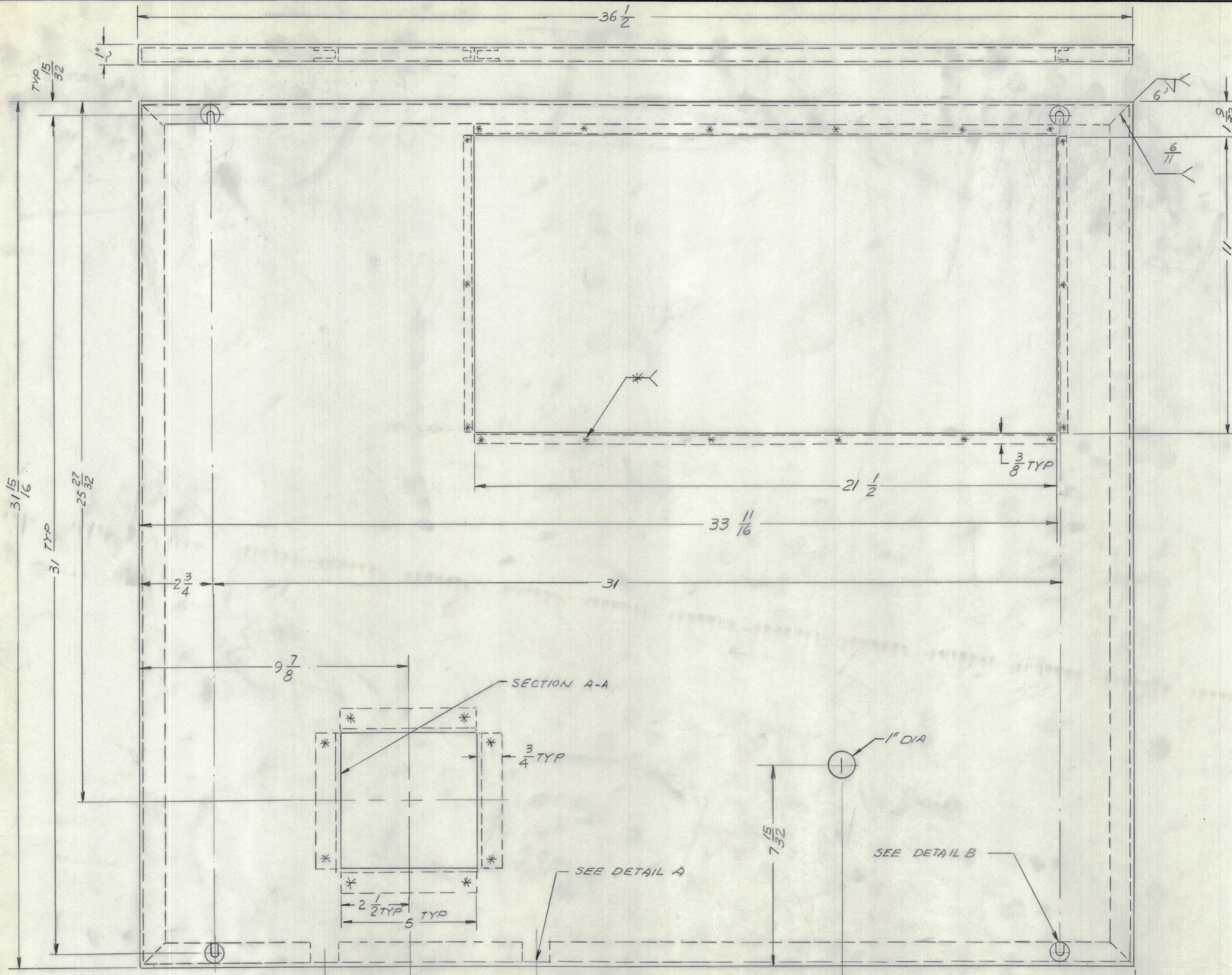


REVISIONS							
E.M.N.NO	DRAFT	CHKD	ZONE	LTR	DESCRIPTION	DATE	APPROVED
					X EXP. RELEASE		

9/76



FINISH NOTES
 S371-DEGREASING FOR STEEL
 S-114-ZINC CHROMATE PRIMER
 S-520-BLUE GRAY TEXTURED VINYL
 OR PRIME & PAINT AS PER
 CUSTOMER SPECIFICATIONS

1	HFLM-10K/1	
QTY / UNIT	MODEL USED ON	ASS'Y NO.
APPLICATION		
CODE		
<small>NOTICE TO PERSONS RECEIVING THIS DRAWING</small> <small>THE TECHNICAL MATERIEL CORPORATION claims proprietary right in the material disclosed hereon. This drawing is issued in confidence for engineering information only and may not be reproduced or used to manufacture anything shown hereon without permission from THE TECHNICAL MATERIEL CORPORATION to the user. This drawing is loaned for mutual assistance and is subject to recall at any time.</small>		

UNLESS OTHERWISE SPECIFIED DIMENSIONS ARE IN INCHES AND INCLUDE CHEMICALLY APPLIED OR PLATED FINISHES		FINAL APPROVAL	DATE
TOLERANCES ON		MECH. DES.	DATE
DECIMALS	FRACTIONS	ELECT. DES.	DATE
X ± .05	± 1/64	CHECKED	DATE
.XX ± .01	ANGLES	DRAWN	DATE
.XXX ± .005	± 0° -30'	G.D.L.	3/4/72
MATERIAL		SIZE CODE IDENT NO. DWG NO.	
#13 GAUGE STEEL		D	82679 MS6693
FINISH		ISSUE	
AS NOTED		1	

QTY. REQ.	ITEM	PART NO.	DESCRIPTION	SYMBOL
LIST OF MATERIAL				
THE TECHNICAL MATERIEL CORP. MAMARONECK, NEW YORK				
COVER, TOP				
SCALE 1/2		SHEET OF		