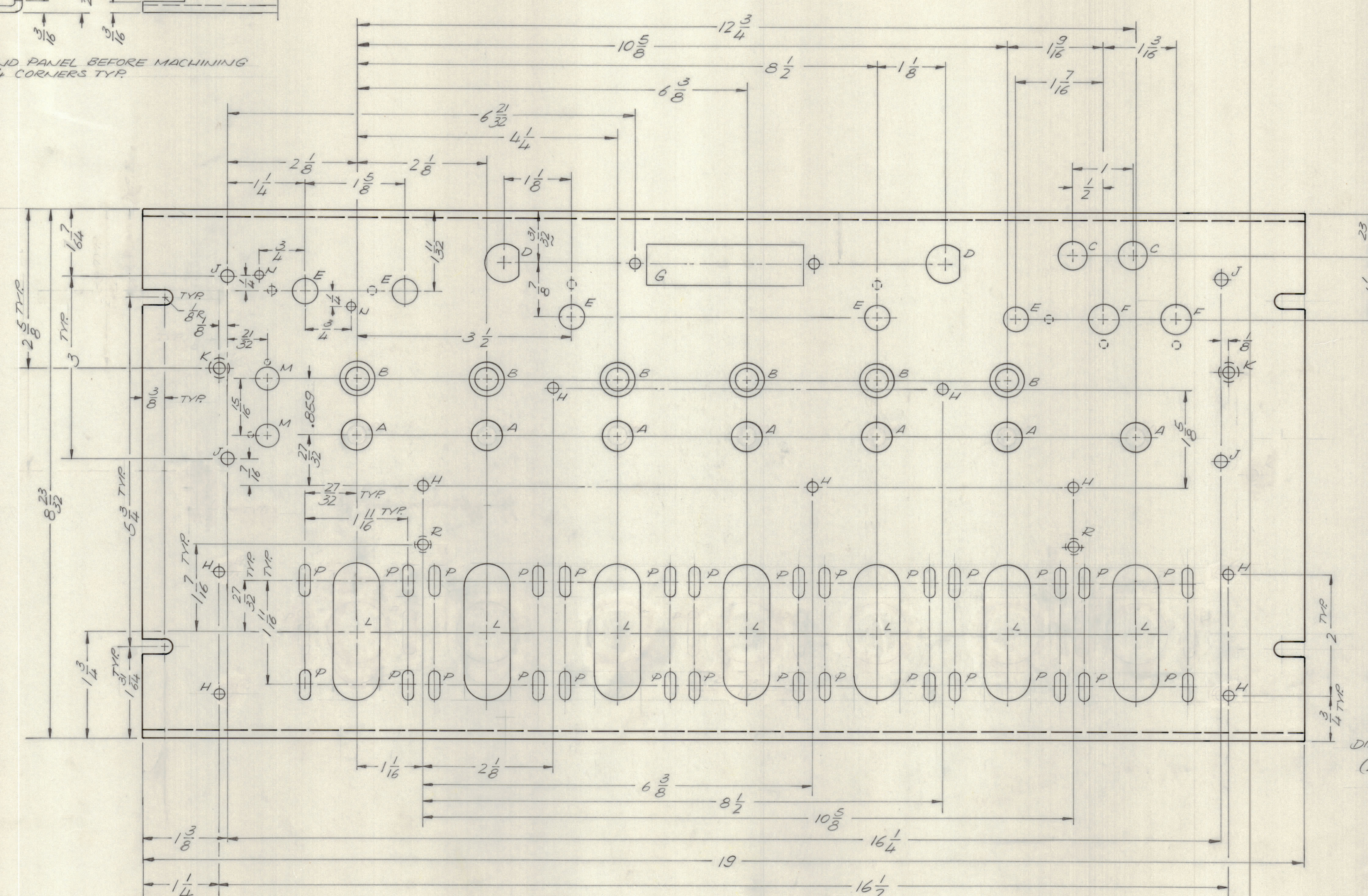
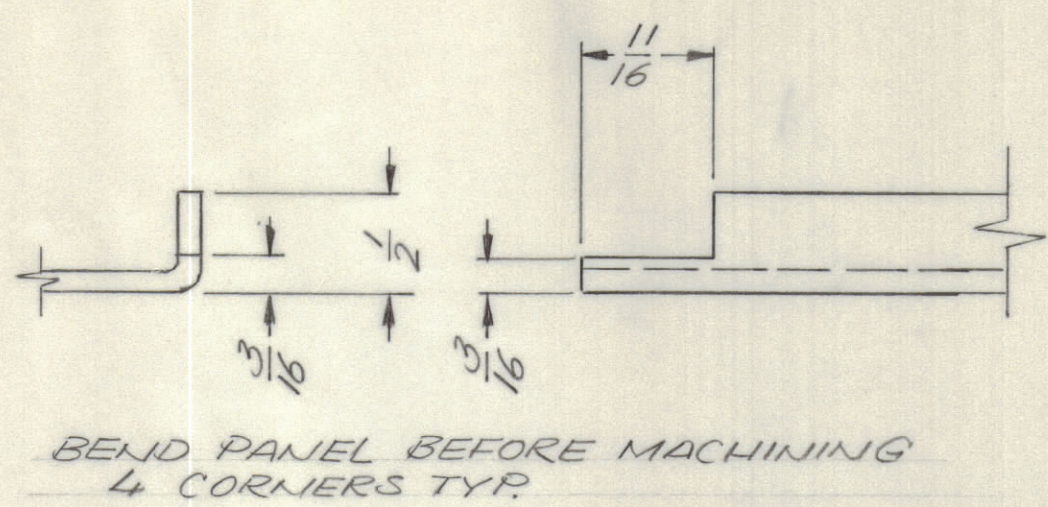
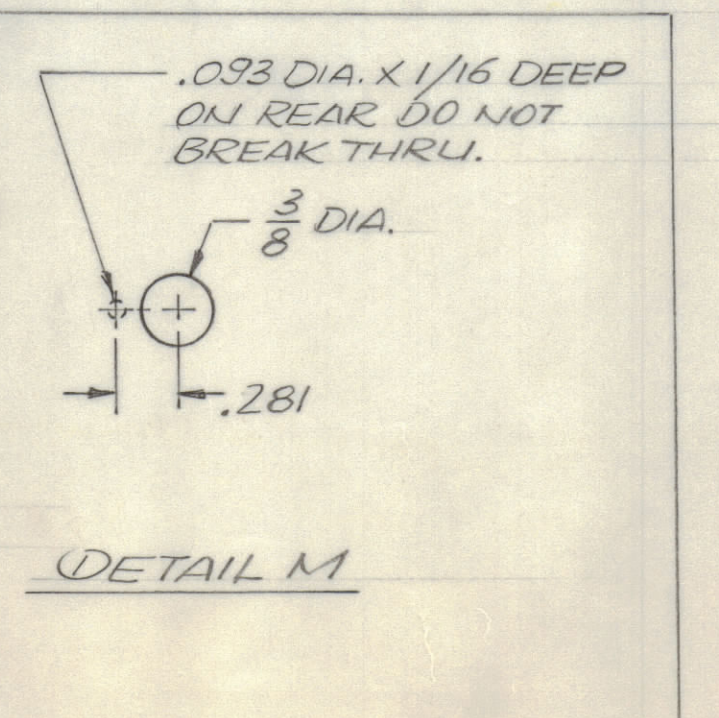
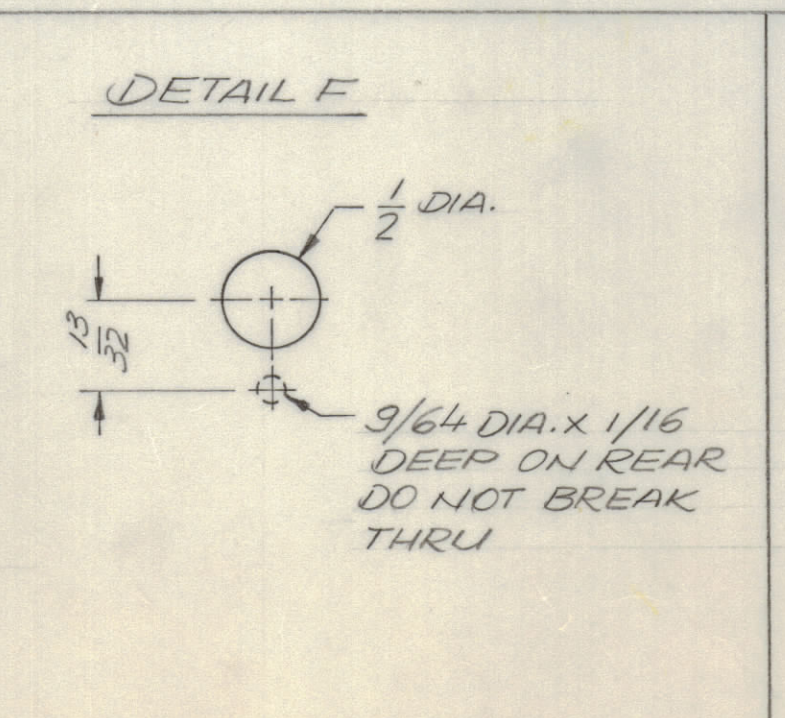
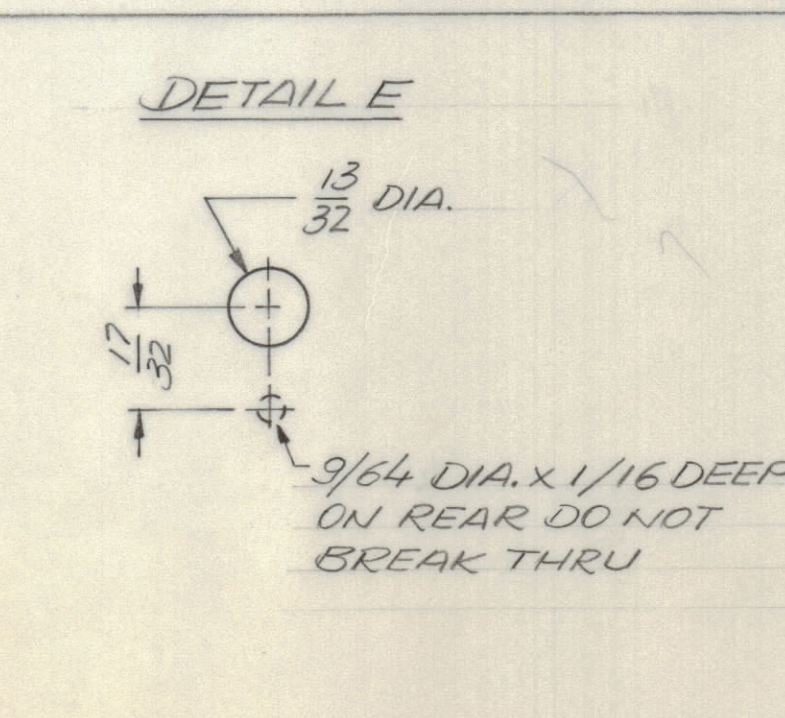
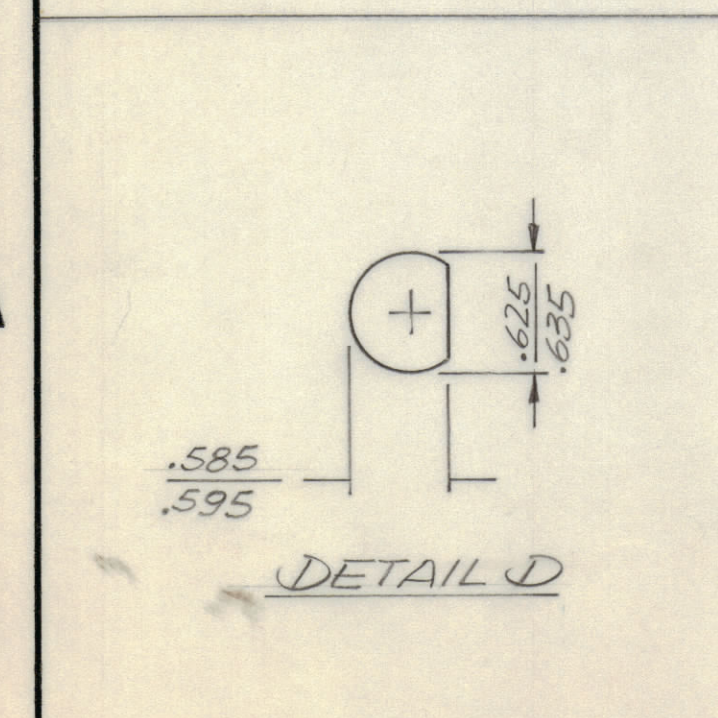
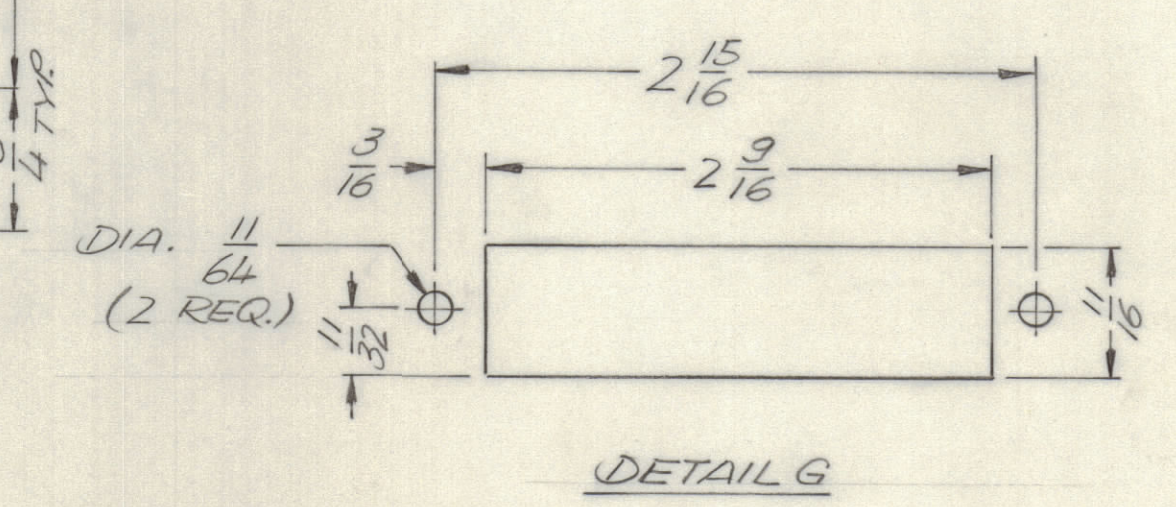


REVISIONS							
E.M.N.O	DRAFT	CHKD	ZONE	LTR	DESCRIPTION	DATE	APPROVED
				X	ADD 2 R.HLS RELOCATE P SLOTS INWARD	2/9/73	
				X1	L SLOTS WERE HLS (TO ACCEPT NEW LEAD)	2/15/73	
				X2	INCREASED WIDTH OF L HLS WAS 3/4	2/22/73	
				Ø	ORIGINAL RELEASE FOR PRODUCTION	3/29/73	



HOLE - DESCRIPTION - REQ.

A	1/2 DIA.	7
B	3/8 DIA C'SNK TO 9/16	6
C	15/32 DIA	2
D	SEE DETAIL	2
E		5
F		2
G	SEE DETAIL	1
H	11/64 DIA	9
J	13/64 DIA.	4
K	.196 DIA. C'SNK TO .390	2
L	7/8 x 2 1/4 SLOT	7
M	SEE DETAIL	2
N	9/64 DIA.	2
P	11/64 x 1/2 SLOT	28
R	C'SNK FOR 0632 SC	2



FINISH NOTES:
 1. S404 - IRIDITE 14-2 AL-COAT.
 2. S114 - ZINC CHROMATE PRIMER } FRONT AND
 3. S115 - SMOOTH GRAY ENAMEL } EDGES ONLY
 OR
 PRIME AND PAINT PER CUSTOMER'S SPECIFICATIONS

KIT 392		
QTY / UNIT	MODEL USED ON	ASS'Y NO.
1		
APPLICATION		
CODE		

REF. LD 2540

UNLESS OTHERWISE SPECIFIED DIMENSIONS ARE IN INCHES AND INCLUDE CHEMICALLY APPLIED OR PLATED FINISHES

TOLERANCES ON

DECIMALS	FRACTIONS
X ± .05	± 1/64
.XX ± .01	ANGLES ± 0° - 30'
.XXX ± .005	

MATERIAL 1/8 ALUM 5052 H32

FINISH

QTY. REQ.	ITEM	PART NO.	DESCRIPTION	SYMBOL
F. BLUETTI LIST OF MATERIAL				
THE TECHNICAL MATERIEL CORP. MAMARONECK, NEW YORK				
PANEL FRONT				
SIZE D		CODE 82679	IDENT NO. MS6440	DWG NO.
SCALE		SHEET		OF