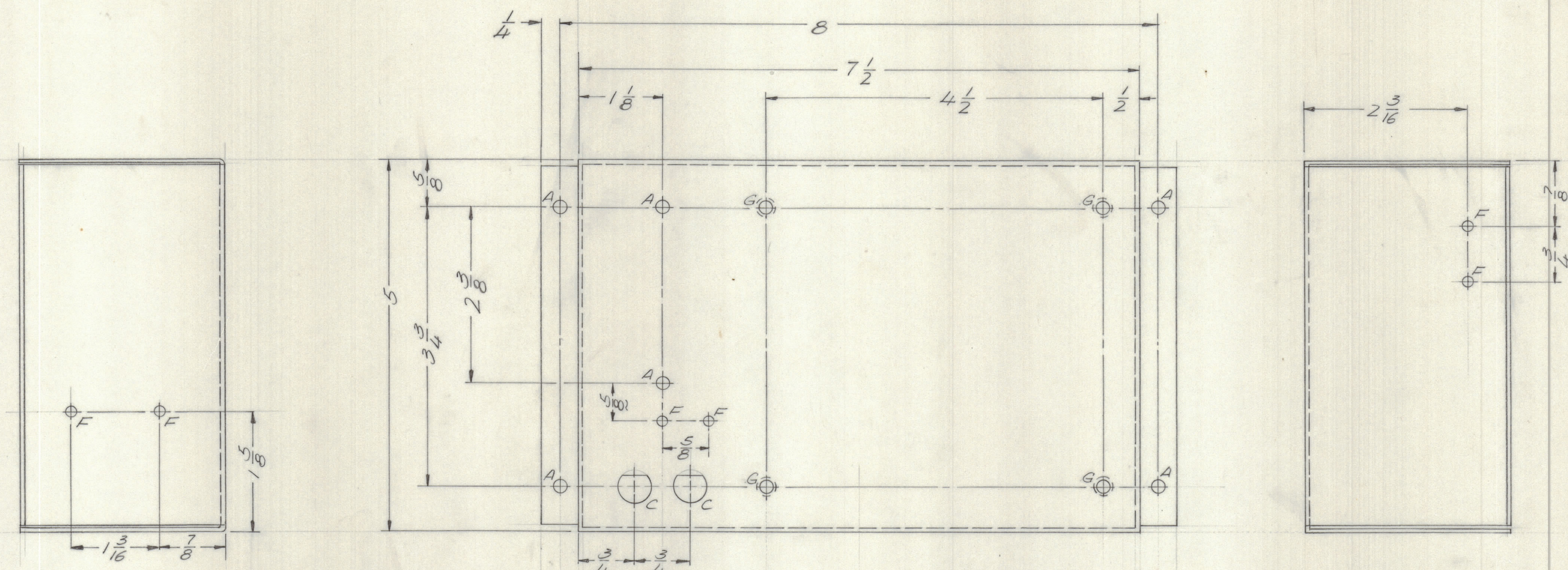
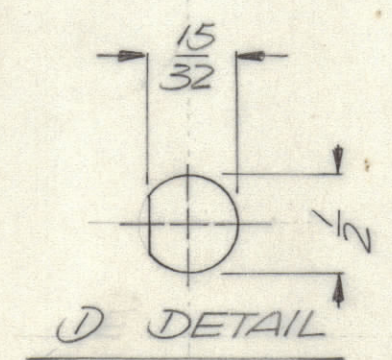
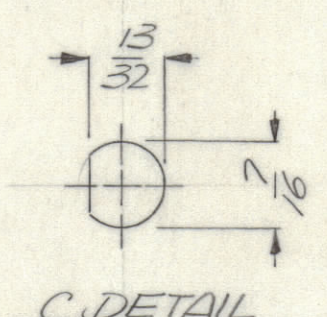
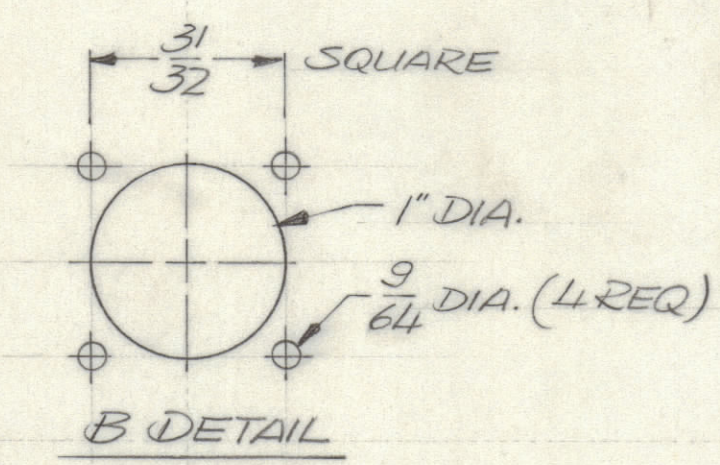


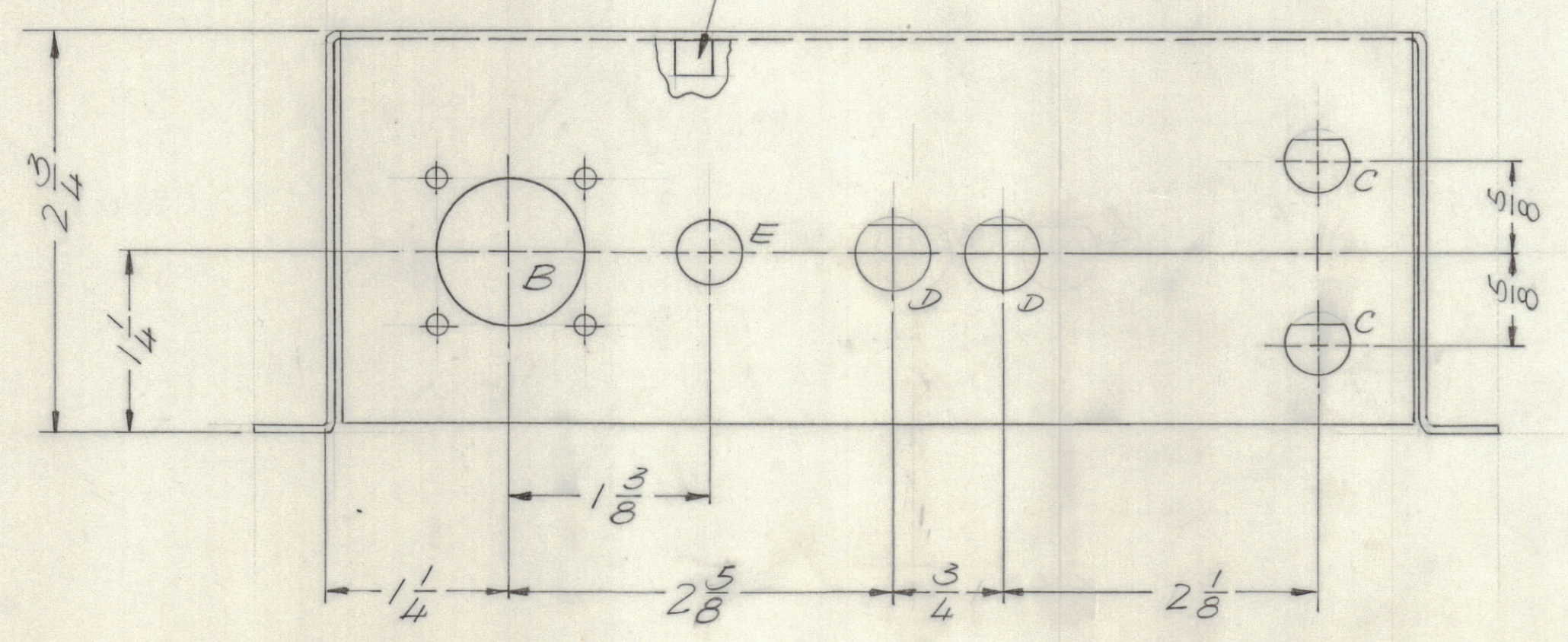
REVISIONS							
E.M.N.O.	DRAFT	CHKD	ZONE	LTR	DESCRIPTION	DATE	APPROVED
	W			Ø	ORIGINAL RELEASE FOR PRODUCTION	12/14/72	



- HOLE DESCRIPTION REQ.**
- A — 1/64 DIA. — 6
  - B — SEE DETAIL — 1
  - C — SEE DETAIL — 4
  - D — SEE DETAIL — 2
  - E — 7/16 DIA. — 1
  - F — 9/64 DIA. — 6
  - G — .189 DIA. — 4



① MOUNT AS SHOWN  
(4 PLACES)



QTY. REQ.	ITEM	PART NO.	DESCRIPTION	SYMBOL
4	1	TE108-1	STANDOFF, RIVIT. TYPE	G

FINAL APPROVAL		DATE	THE TECHNICAL MATERIEL CORP.	
MECH. DES.		12/10/72	MAMARONECK, NEW YORK	
ELECT. DES.			CHASSIS MAIN	
CHECKED				
DRAWN		GE 12-12-72		

REF. LD 2531

KIT 3458 346-1A		
QTY / UNIT	MODEL USED ON	ASS'Y NO.
APPLICATION		
CODE		
NOTICE TO PERSONS RECEIVING THIS DRAWING		
THE TECHNICAL MATERIEL CORPORATION claims proprietary right in the material disclosed hereon. This drawing is issued in confidence for engineering information only and may not be reproduced or used to manufacture anything shown hereon without permission from THE TECHNICAL MATERIEL CORPORATION to the user. This drawing is loaned for mutual assistance and is subject to recall at any time.		

TOLERANCES ON	
DECIMALS	FRACTIONS
.X ± .05	± 1/64
.XX ± .01	ANGLES
.XXX ± .005	± 0° -30'

SIZE	CODE	IDENT NO.	DWG NO.	ISSUE
D		82679	MS 6414	Ø