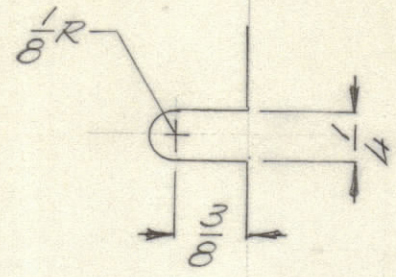
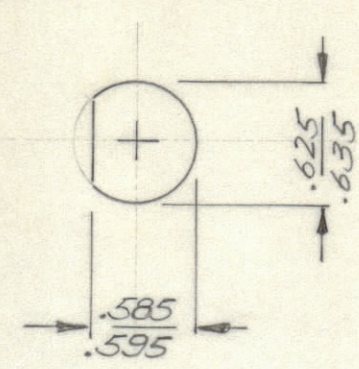


REVISIONS							
E.M.N.NO	DRAFT	CHKD	ZONE	LTR	DESCRIPTION	DATE	APPROVED
	W			Ø	ORIGINAL RELEASE FOR PRODUCTION	1/7/72	

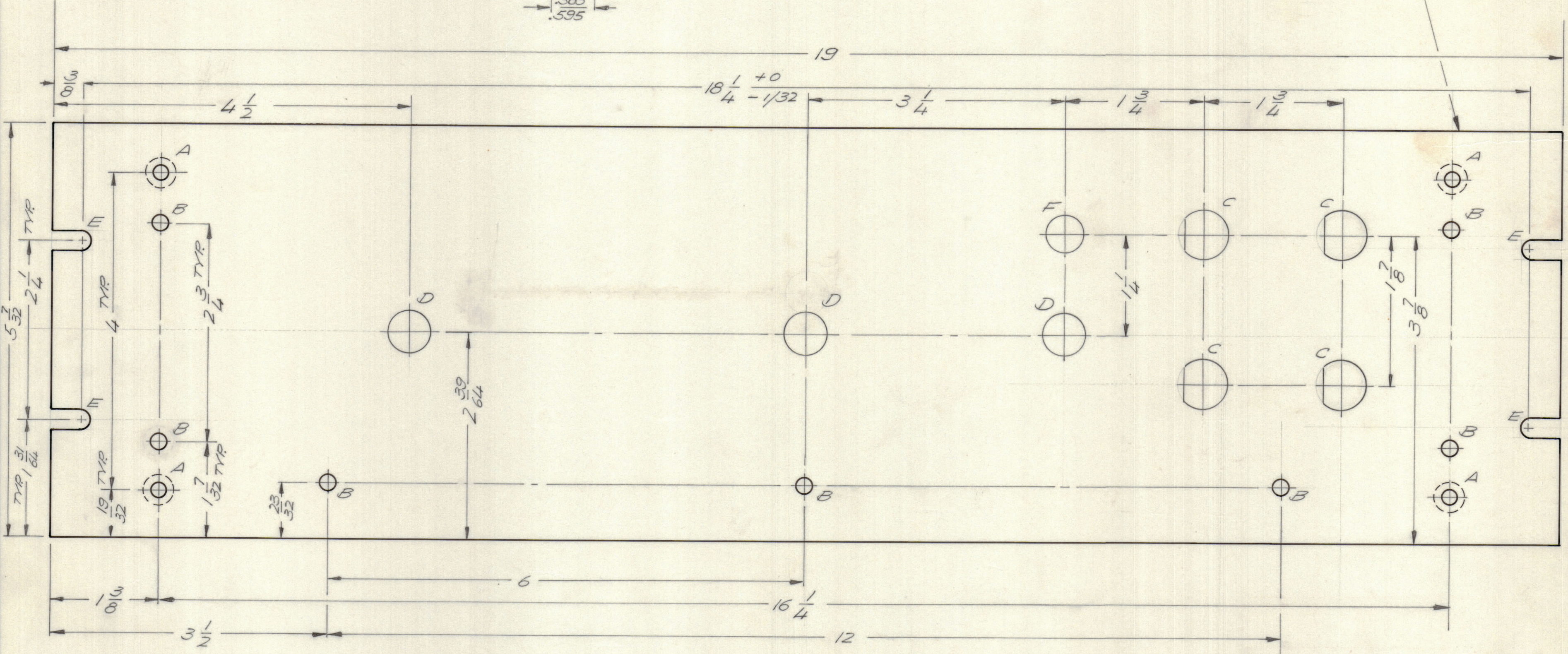
DETAIL E



DETAIL C



MARK TMC PART NUMBER
1/8 HIGH GOTHIC WITH LATEST
REVISION LETTER ON REAR OF PANEL



HOLE DESCRIPTION REQ.

A	.196 DIA. & C'SHUK 82° TO .390	4
B	13/64 DIA.	7
C	SEE DETAIL "C"	4
D	17/32 DIA.	3
E	SEE DETAIL "E"	4
F	15/32 DIA.	1

FINISH NOTES:
 1. S404 - IRIDITE 14-2 AL-COAT.
 2. S114 - ZINC CHROMATE PRIMER } FRONT AND
 3. S115 - SMOOTH GRAY ENAMEL } EDGES ONLY
 OR
 PRIME AND PAINT PER CUSTOMER'S SPECIFICATIONS

QTY / UNIT	MODEL USED ON	ASS'Y NO.
1	RDCR1YA	AXS16Z
APPLICATION		
CODE		

NOTICE TO PERSONS RECEIVING THIS DRAWING
 THE TECHNICAL MATERIEL CORPORATION claims proprietary right in the material disclosed hereon. This drawing is issued in confidence for engineering information only and may not be reproduced or used to manufacture anything shown hereon without permission from THE TECHNICAL MATERIEL CORPORATION to the user. This drawing is loaned for mutual assistance and is subject to recall at any time.

REF LD2509
 UNLESS OTHERWISE SPECIFIED DIMENSIONS ARE IN INCHES AND INCLUDE CHEMICALLY APPLIED OR PLATED FINISHES
 TOLERANCES ON
 DECIMALS X ± .05 XX ± .01 .XXX ± .005
 FRACTIONS ± 1/64 ANGLES ± 0° -30'
 MATERIAL 3/16 ALUM 2024 T3
 FINISH AS NOTED

QTY. REQ.	ITEM	PART NO.	DESCRIPTION	SYMBOL
LIST OF MATERIAL				
FINAL APPROVAL S.D. 1-6-72				
MECH. DES. 12-15-71				
ELECT. DES.				
CHECKED 8/2 1-6-72				
DRAWN EVANGELIST 10/26/71				
THE TECHNICAL MATERIEL CORP. MAMARONECK, NEW YORK				
PANEL FRONT				
SIZE	CODE	IDENT NO.	DWG NO.	ISSUE
C	82679		MS6333	Ø
SCALE 1:1			SHEET OF	