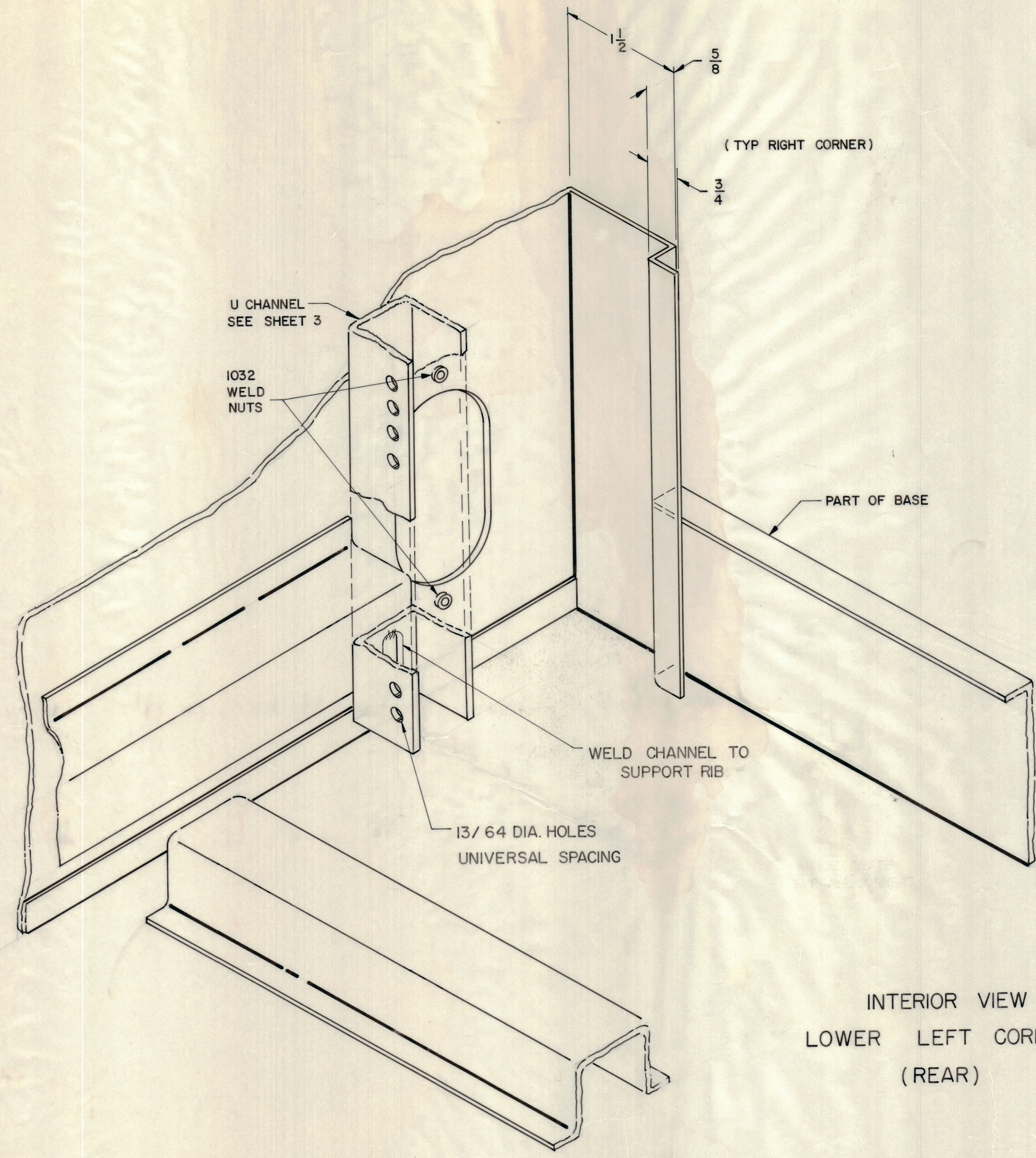
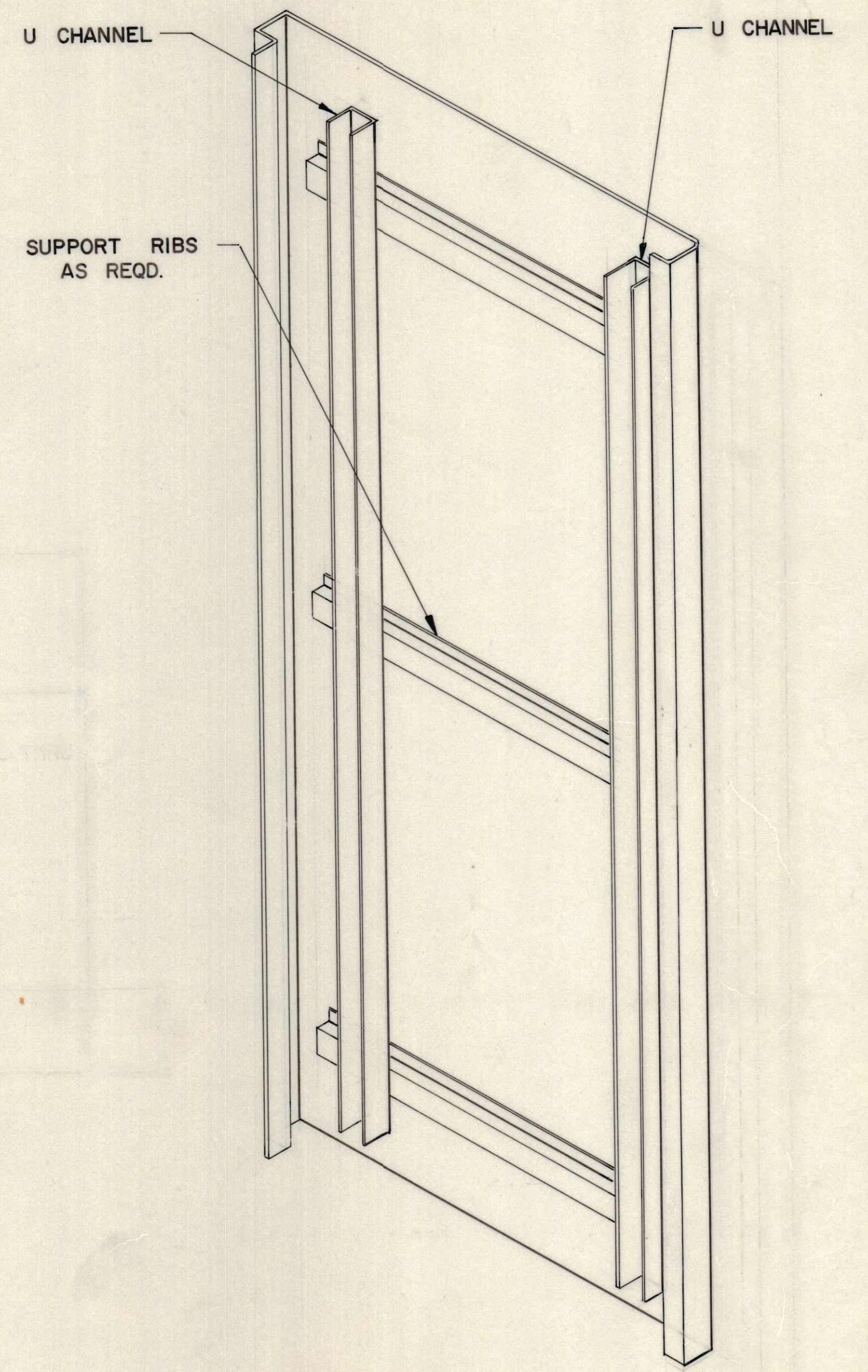


REVISIONS						
E.M.N.NO	DRAFT	CHKD	ZONE	LTR	DESCRIPTION	DATE
21220	W.D.				ORIGINAL RELEASE FOR PRODUCTION	10/1/71
21336	G.D.L.			A	SEE SHEET ONE	4-30-75
				B	SEE SHEET 8	12-13-75



INTERIOR VIEW
LOWER LEFT CORNER
(REAR)



SIDE SKIN
AS SHOWN BEFORE
ASSEMBLY
SEE SHEET 3 FOR CORNER DETAILS

CAB-40, 50, 60		
QTY / UNIT	MODEL USED ON	ASS'Y NO.
APPLICATION		
CODE		
NOTICE TO PERSONS RECEIVING THIS DRAWING THE TECHNICAL MATERIEL CORPORATION claims proprietary right in the material disclosed hereon. This drawing is issued in confidence for engineering information only and may not be reproduced or used to manufacture anything shown hereon without permission from THE TECHNICAL MATERIEL CORPORATION to the user. This drawing is loaned for mutual assistance and is subject to recall at any time.		

UNLESS OTHERWISE SPECIFIED
DIMENSIONS ARE IN INCHES
AND INCLUDE CHEMICALLY APPLIED
OR PLATED FINISHES

TOLERANCES ON
DECIMALS FRACTIONS
X ± .05 ± 1/64
.XX ± .01 ANGLES
XXX ± .005 ± 0° -30'

MATERIAL
SEE SHEET 1

FINISH
SEE SHEET 1

QTY. REQ.	ITEM	PART NO.	DESCRIPTION	SYMBOL
F. BUONETTI RE. LIST OF MATERIAL				
THE TECHNICAL MATERIEL CORP. MAMARONECK, NEW YORK				
REAR CORNER & SKIN CABINET, ELECTRICAL EQUIP				
SIZE	CODE	IDENT NO.	DWG NO.	ISSUE
D	82679		MS 6230	B
SCALE NTS				SHEET 4 OF 8