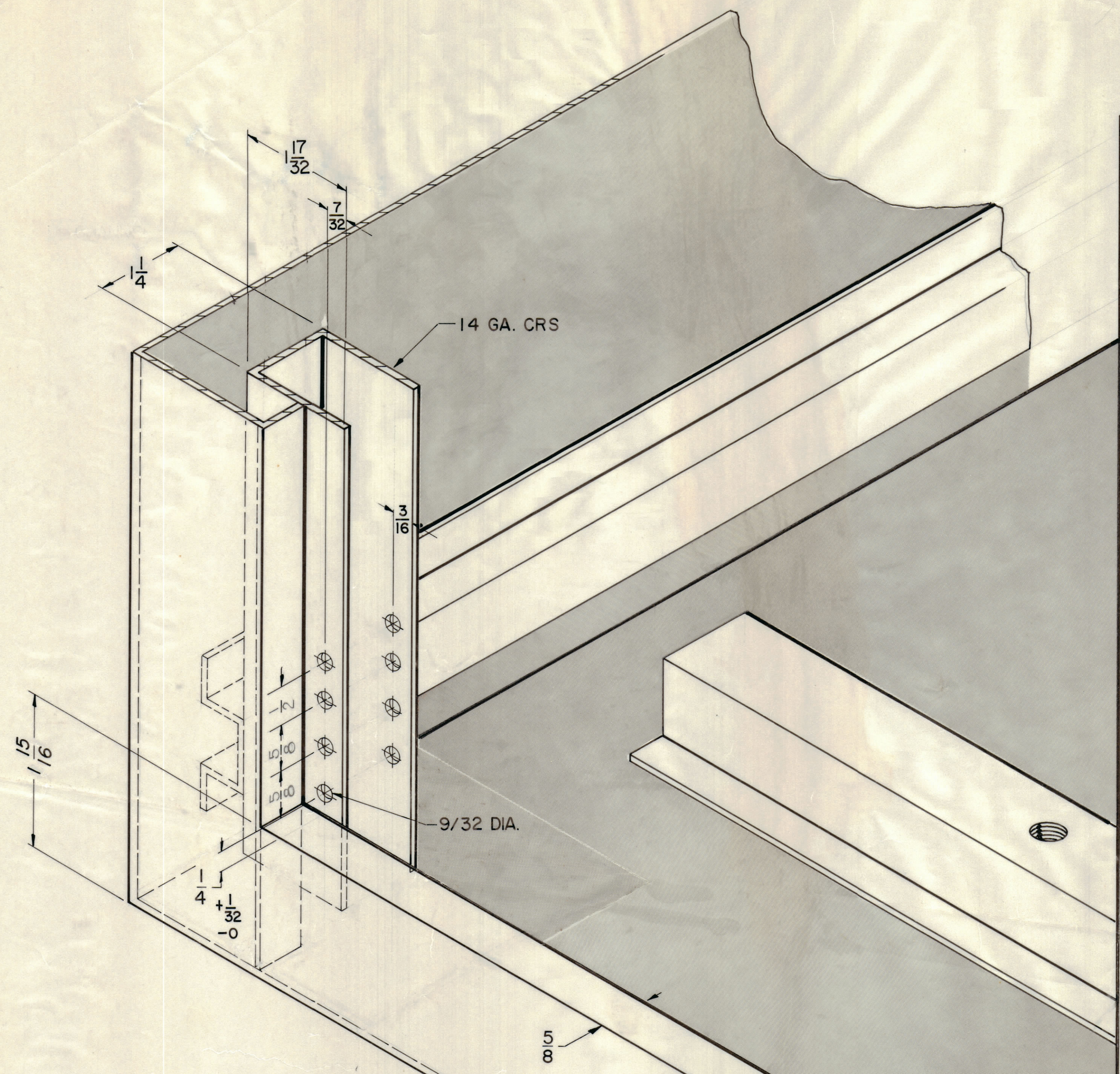
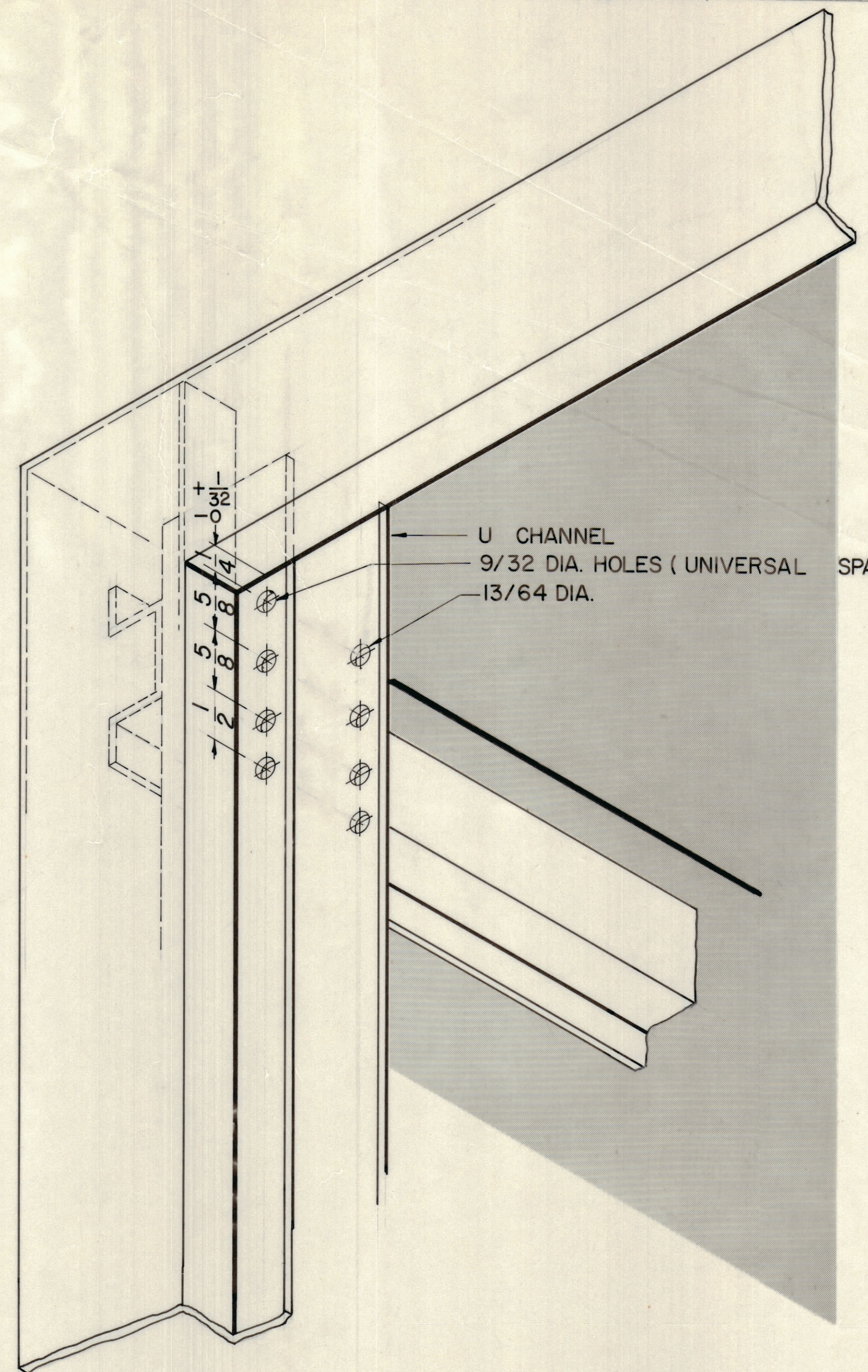


REVISIONS							
E.M.N.NO	DRAFT	CHKD	ZONE	LTR	DESCRIPTION	DATE	APPROVED
	0			0	ORIGINAL RELEASE FOR PRODUCTION	10/17/71	
21220	S.D.			A	SEE SHEET ONE	4-30-75	
21336	S.D.			B	SEE SHEET 2	13-12-75	



FRONT LOWER LEFT CORNER

9/32 & 13/64 DIA. MEMBER HOLES TO BE ON A HORIZONTAL PLANE WITHIN 1/64
 LEFT & RIGHT MEMBER HOLES TO BE ON A HORIZONTAL PLAIN WITHIN 1/64
 FRONT & REAR MEMBER HOLES TO BE ON A HORIZONTAL PLAIN WITHIN 1/32



TOP LEFT CORNER

CAB-40.50.60		
QTY / UNIT	MODEL USED ON	ASS'Y NO.
APPLICATION		
CODE		
NOTICE TO PERSONS RECEIVING THIS DRAWING THE TECHNICAL MATERIEL CORPORATION claims proprietary right in the material disclosed herein. This drawing is issued in confidence for engineering information only and may not be reproduced or used to manufacture anything shown hereon without permission from THE TECHNICAL MATERIEL CORPORATION to the user. This drawing is loaned for mutual assistance and is subject to recall at any time.		

QTY. REQ.	ITEM	PART NO.	DESCRIPTION	SYMBOL
F. BUDETTI, PE.				
LIST OF MATERIAL				
THE TECHNICAL MATERIEL CORP. MAMARONECK, NEW YORK				
CORNER BENDS CABINET, ELECTRICAL EQUIP				
MATERIAL		SIZE CODE IDENT NO. DWG NO.		ISSUE
FINISH		D 82679 MS 6230		B
SCALE HTS				SHEET 3 OF 8