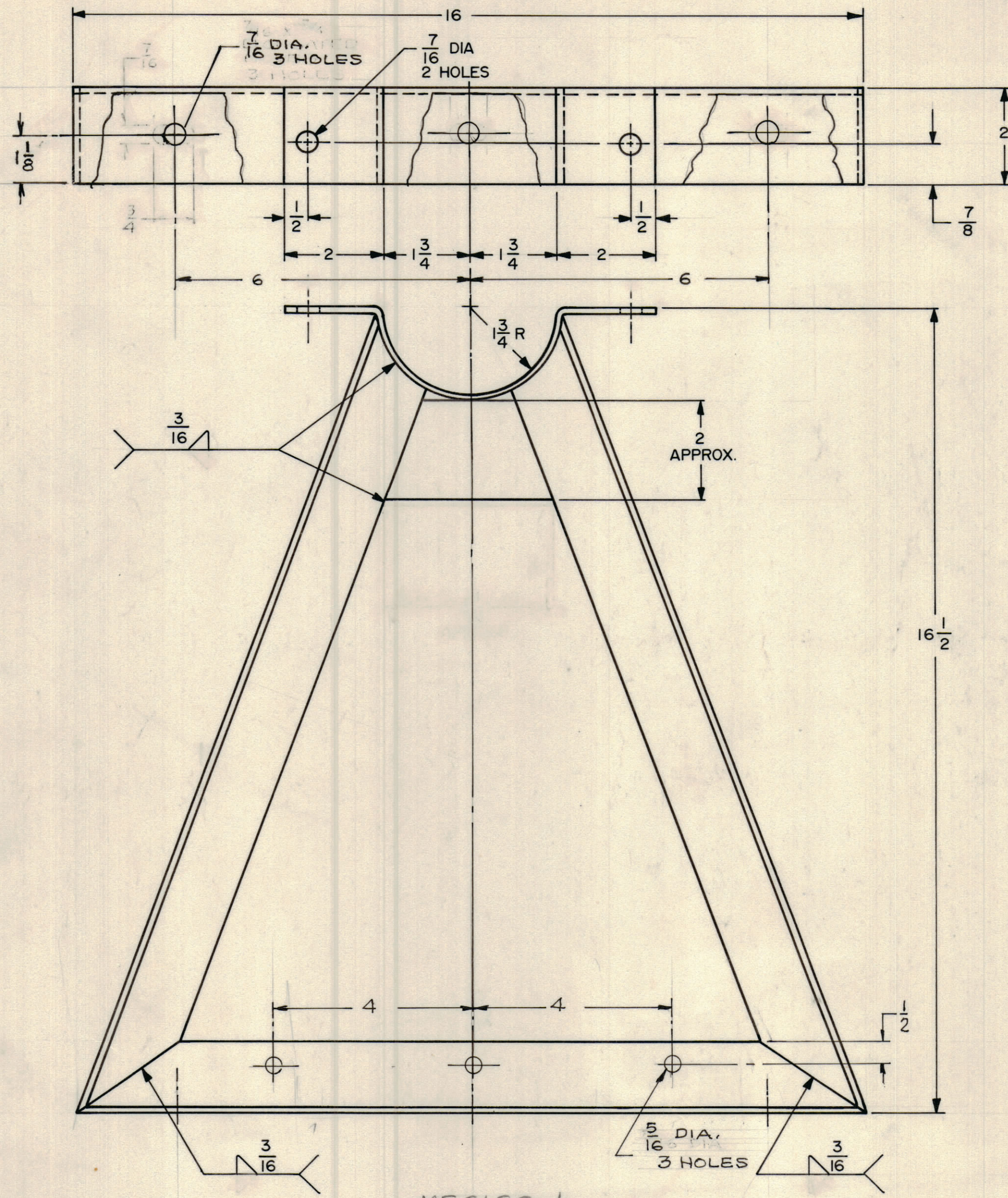
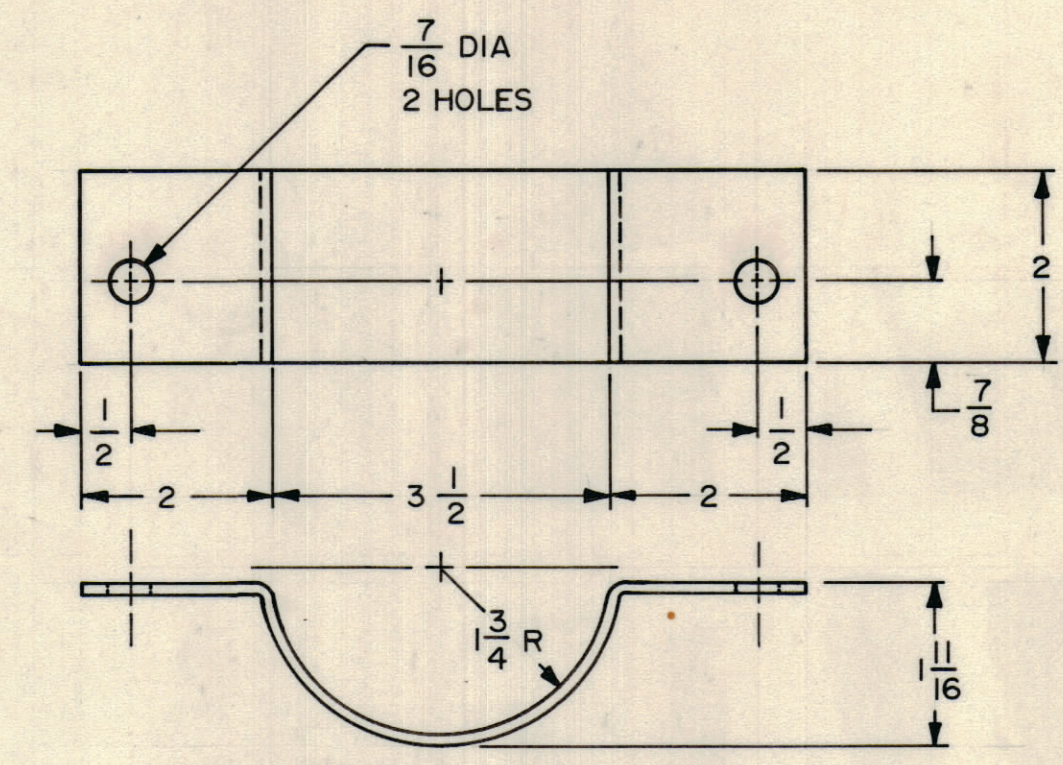


REVISIONS						
ZONE	LTR	DESCRIPTION	DATE	DRAFT	CHK'D	APPD
	A	ADDED (3) 7/16 DIA. HOLES ADDED (3) 5/16 DIA. HOLES	5/4/72	ESF	<i>[Signature]</i>	



MS6160-1



MS6160-2

NOTES.  
 1. CRADLE: 6063-T5 ALUMINUM OR EQUAL. 2 X 1 1/2 X 1/8  
 SADDLE: 5052-H34 ALUMINUM.

QTY REQ	QTY REQ	QTY REQ	ITEM	PART NO.	MANUFACTURER	DESCRIPTION	SYM

INTERPRET DRAWING PER LISTED DOCUMENTS	
DIMENSIONING MIL - STD - 8	UNLESS OTHERWISE SPECIFIED DIMENSIONS ARE IN INCHES AND INCLUDE CHEMICALLY APPLIED OR PLATED FINISHES REMOVE ALL BURRS AND SHARP EDGES  TOLERANCES ON FRACTIONS ANGLES DECIMALS  MATERIAL SEE NOTE 1.  FINISH
SURFACE ROUGHNESS MIL - STD - 10	
ABBREVIATIONS MIL - STD - 12	
ELECTRONIC SYMBOLS MIL - STD - 15	
WELDING SYMBOLS JAN - STD - 19	
NEXT ASSY	USED ON
APPLICATION	
NOTICE TO PERSONS RECEIVING THIS DRAWING THE TMC SYSTEMS AND POWER CORPORATION claims proprietary right in the material disclosed hereon. This drawing is issued in confidence for engineering information only and may not be reproduced or used to manufacture anything shown hereon without permission from THE TMC SYSTEMS AND POWER CORPORATION to the user. This drawing is loaned for mutual assistance and is subject to recall at any time.	

DRAWN C. FORLINI	DATE 2-9-73
CHECKED	DATE
D. ENG. <i>[Signature]</i>	DATE 2-12-73
P. ENG.	DATE
P. MGR.	DATE
CHIEF, ENG. DEPT. <i>[Signature]</i>	DATE 1/12/73

THE TMC SYSTEMS AND POWER CORPORATION SPRINGFIELD, VIRGINIA			
<b>MUFFLER SUPPORT</b>			
SIZE C	CODE IDENT NO 24146	DWG. NO. MS 6160	REV A
SCALE 1/2" = 1"		SHEET 1 OF 1	