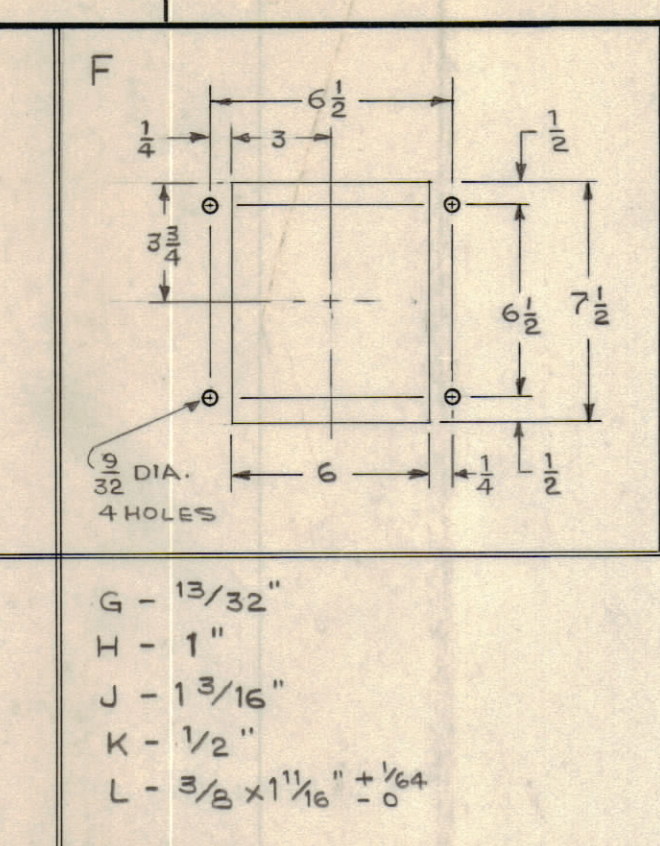
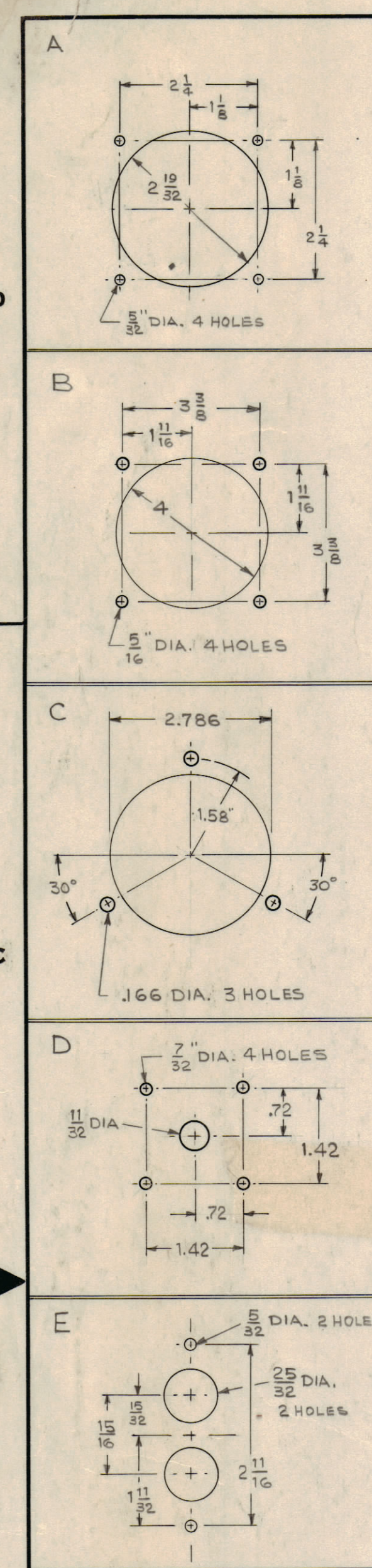
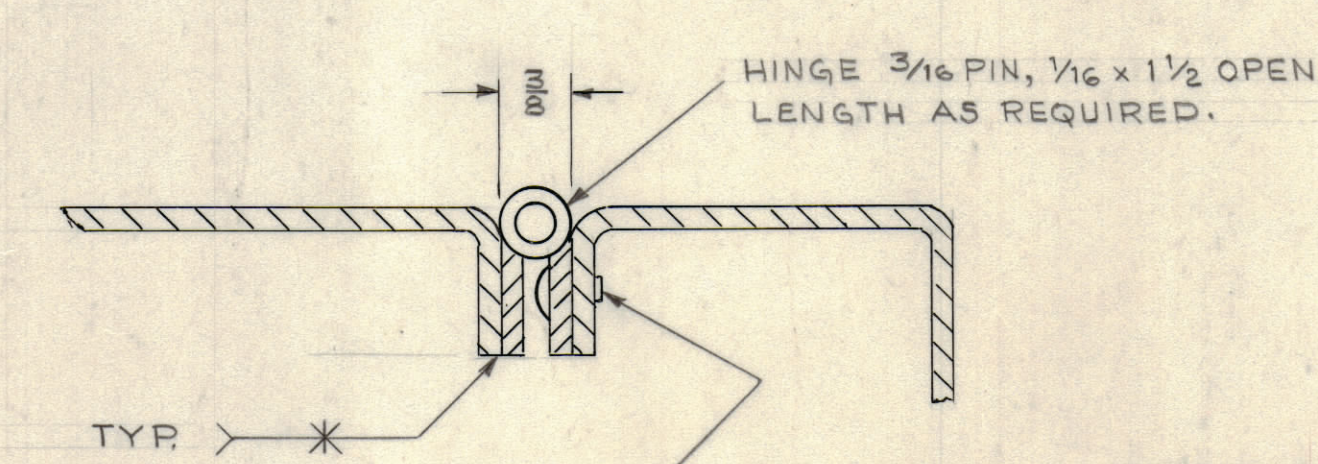
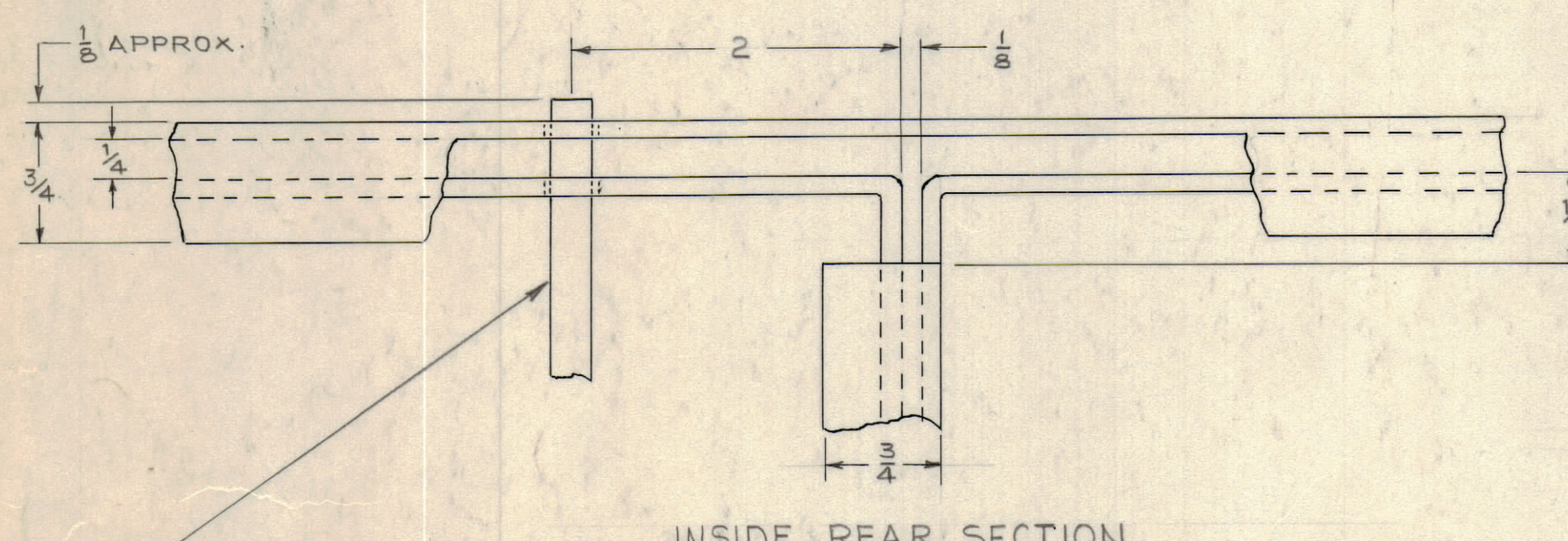
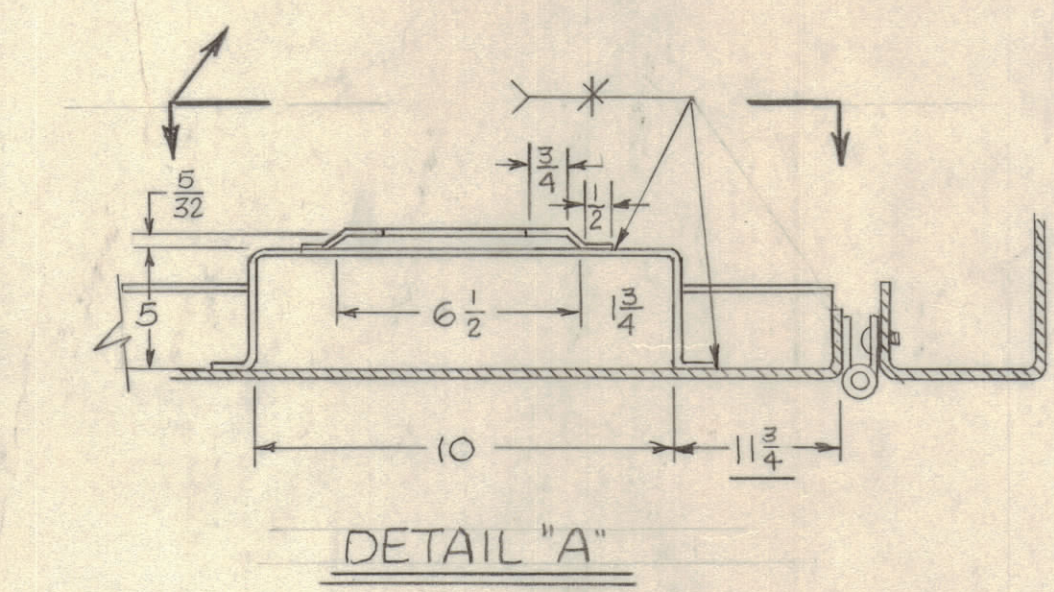
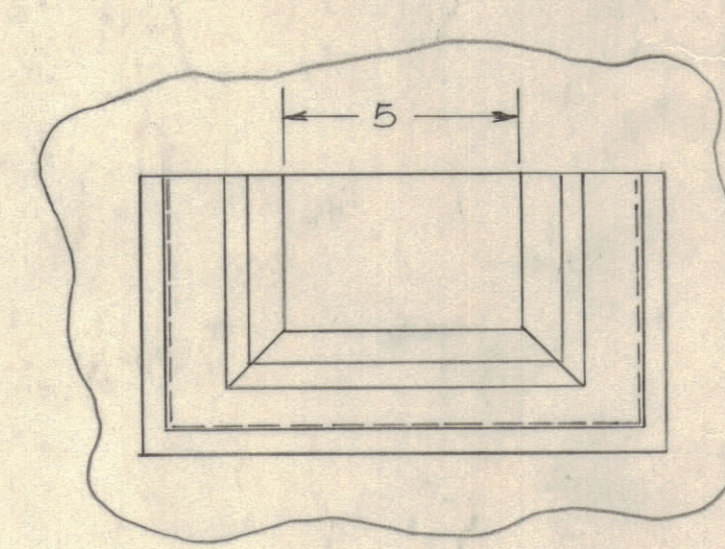
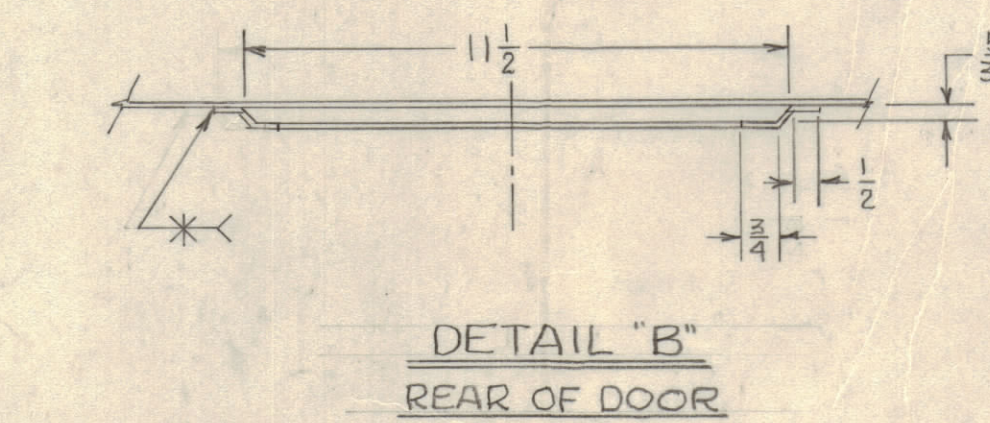
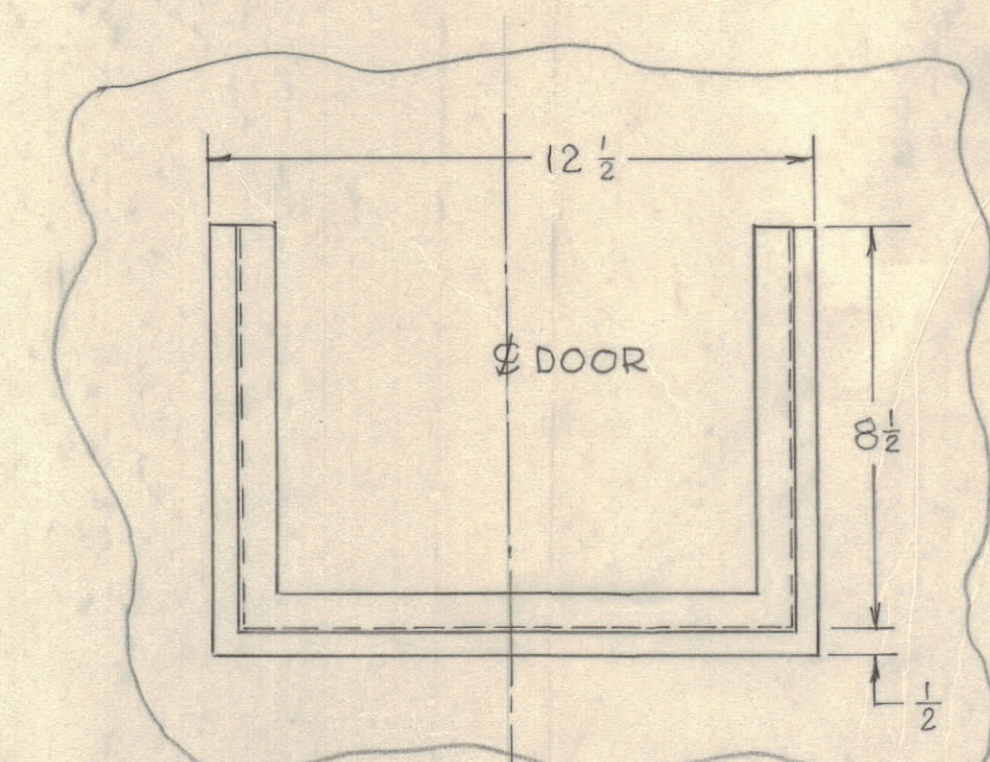
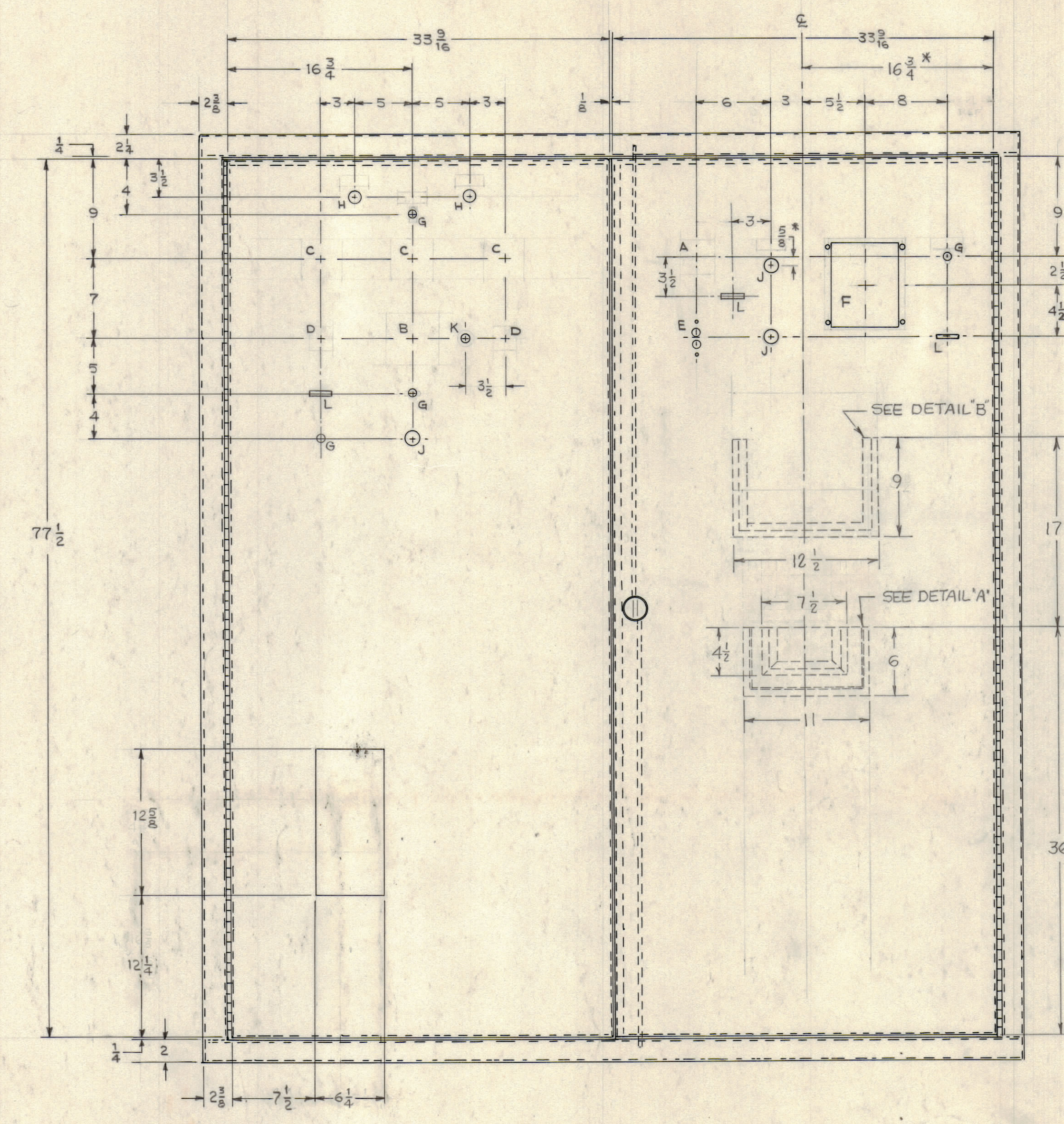


ZONE		LTR		DESCRIPTION	DATE	DRAFT	CHK'D	APP'D
A		REV. AS PER ASTERICK *			11-25-72	RM		



G - 13/32"
H - 1"
J - 1 3/16"
K - 1/2"
L - 3/8" x 1 1/16" + 1/64"



TAP 10-32 UNC-2B
NO. 10-32 x 3/8" LG.

DOOR MOUNTING DETAIL
TYPICAL BOTH DOORS
SCALE 1/1

DOOR LATCH DIMENSION CAN CHANGE, LATCH IS TO BE PROVIDED AND FITTED BY CABINET MANUFACTURE.

DOORS
SCALE 1/1

QTY REQ	QTY REQ	QTY REQ	ITEM	PART NO.	MANUFACTURER	DESCRIPTION	SYM	
			PARTS LIST					
			INTERPRET DRAWING PER LISTED DOCUMENTS					
			UNLESS OTHERWISE SPECIFIED DIMENSIONS ARE IN INCHES AND INCLUDE CHEMICALLY APPLIED OR PLATED FINISHES REMOVE ALL BURRS AND SHARP EDGES					
			TOLERANCES ON FRACTIONS ANGLES DECIMALS					
			MATERIAL 11 GA. CRS					
			FINISH					
			DRAWN MITCH DATE 10-23-72					
			CHECKED DATE					
			D. ENG. DATE					
			P. ENG. CRB DATE Nov 72					
			P. MGR. DATE					
			CHIEF, ENG. DEPT. DATE					
			THE TMC SYSTEMS AND POWER CORPORATION					
			SPRINGFIELD, VIRGINIA					
			CONTROL CABINET FABRICATION ASSEMBLY					
			120/208 VOLT SYSTEM. FAA					
			SIZE	CODE IDENT NO	DWG. NO.	REV		
			D	24146	MS6140	A		
			SCALE					
			SHEET 1 OF 3					

NOTICE TO PERSONS RECEIVING THIS DRAWING
THE TMC SYSTEMS AND POWER CORPORATION claims proprietary right in the material disclosed hereon. This drawing is issued in confidence for engineering information only and may not be reproduced or used to manufacture anything shown hereon without permission from THE TMC SYSTEMS AND POWER CORPORATION to the user. This drawing is loaned for mutual assistance and is subject to recall at any time.