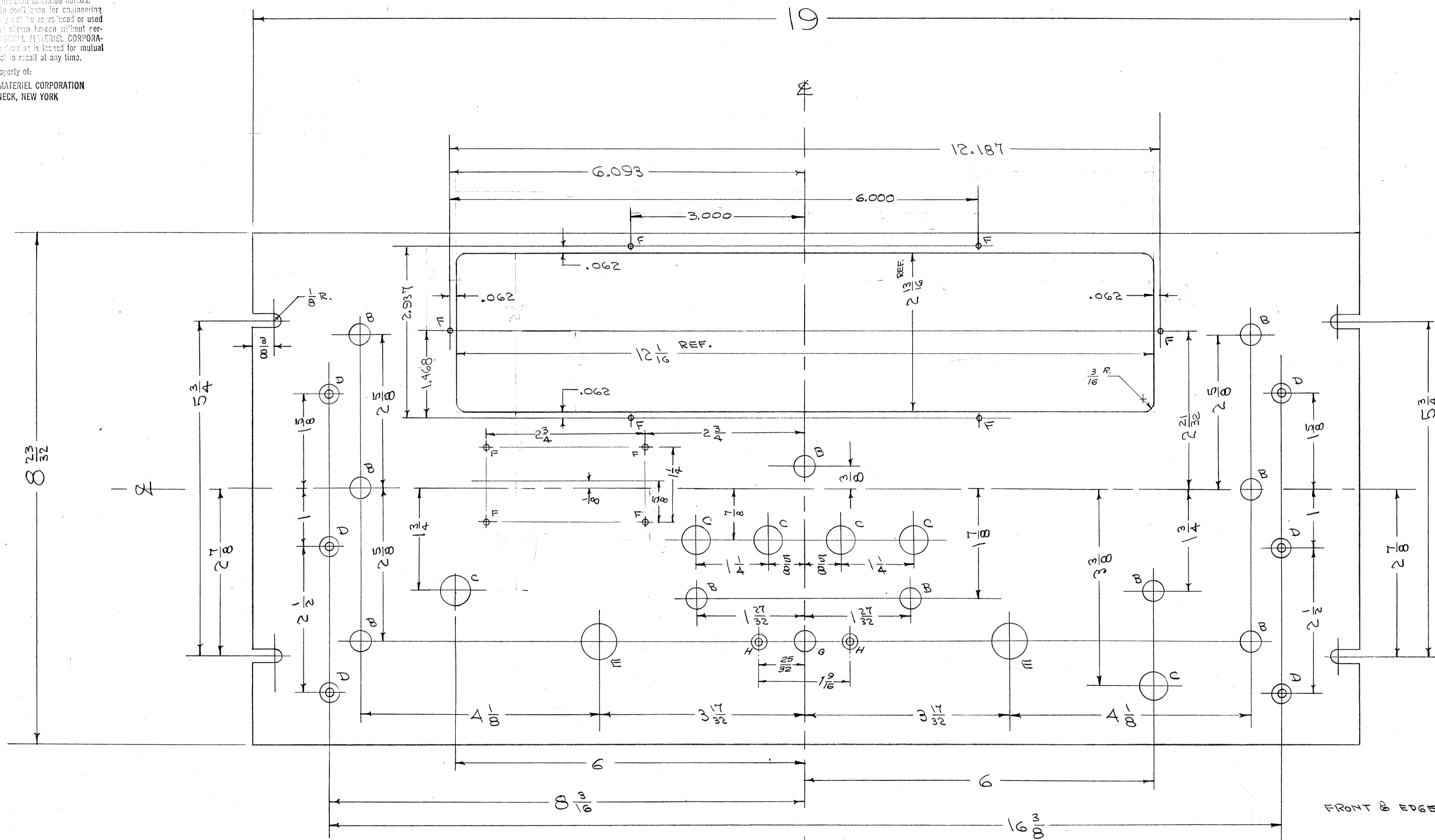


IF IT IS FOUND DESIRABLE TO CHANGE ANY TOLERANCE OR OTHER DETAIL SPECIFIED ON THIS DRAWING NOTIFY THE PURCHASER PROMPTLY.
 MAXIMUM ALLOWABLE TOLERANCES HAVE BEEN DETERMINED AND DEVIATIONS WILL BE CAUSE FOR REJECTION. REMOVE ALL BURRS AND SHARP EDGES

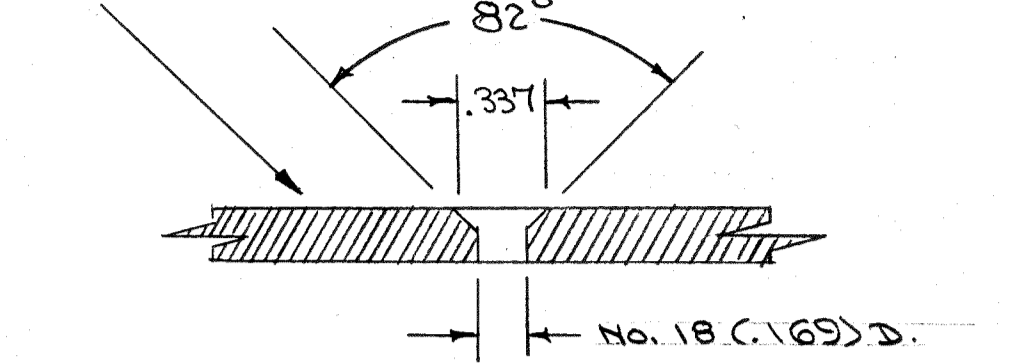
NOTICE TO PERSONS RECEIVING THIS DRAWING

THE TECHNICAL MATERIEL CORPORATION claims copyright in the material disclosed hereon. This drawing is issued in confidence for engineering purposes only and may not be reproduced or used to manufacture anything herein without permission from THE TECHNICAL MATERIEL CORPORATION to the user. This drawing is loaned for mutual assistance and is subject to recall at any time.

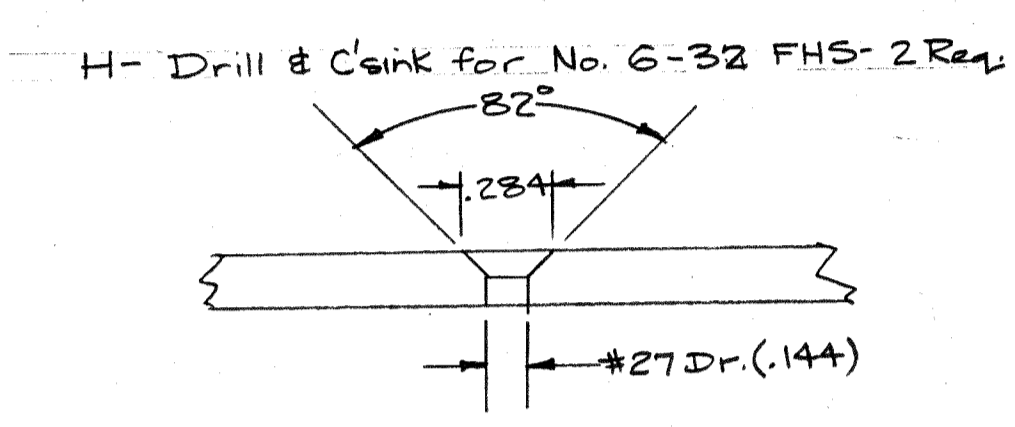
Property of:
 THE TECHNICAL MATERIEL CORPORATION
 MAMARONECK, NEW YORK



B- 25/64 (.390) D. 10 HOLES REQ.
 C- 3/64 (.484) D. 6 " "
 D- SEE DETAIL 6 " "



E- 5/8 (.625) D. 2 HOLES REQ.
 F- No A7 (.078) D. 10 " "
 G- 17/32 (.531) D. 1 " "



H- Drill & C'sink for No. 6-32 FHS- 2 Req.

FRONT OF PANEL

FRONT & EDGES ONLY

NOTE: FINISH
 S-404 IRIDITE
 S-114 ZINC CHROMATE PRIMER
 S-115 SMOOTH GRAY ENAMEL
 OR- PRIME & PAINT TO CUSTOMER'S SPECIFICATION.

ISSUE	ITEM	CHANGED FROM	DATE	CH. NO.	DRAFTS	CHECKER	ENG. APP.
H	1	S-404 IRIDITE WAS S-101 CAUSTIC DIP	12/22/55	1001	AB	EMM	WJC
G	1	TWO "H" HOLES ADDED TO ACCOM. NEW LOCATION OF DETENT B WAS 2 1/2	12/22/55	7	16	WJC	WJC
F	1	2 1/2 WAS 2 1/16	12/22/55	C	MR	WJC	WJC
E	1	SIXE STATE HOLE HOLES ADDED TO HOLES	12/22/55	S	MR	WJC	WJC
D	1	DIMENSIONS & DIMENSIONING CHGD.	12/22/55	A	WJC	WJC	WJC
C	1	"C" HOLE ADDED	12/22/55	3	WJC	WJC	WJC
B	2	3/16 R ADDED	12/22/55	2	WJC	WJC	WJC
A	1	"B" HOLE WAS "B"	12/22/55	1	WJC	WJC	WJC
A	1	#47 DRILL WAS #50	12/22/55	1	WJC	WJC	WJC

TOLERANCES		SCALE:
ALL	DEC. DIM. ± .005	DRILL PUNCH, COMMERCIAL STOCK
OTHERS	FRAC. DIM. ± 1/64	SIZES AND MANUFACTURERS
	ANGULAR DIM. ±	TOLERANCES ARE NOT INCLUDED.

REF. DWG. LD-216-2

REQ. PER UNIT	MODEL	PROJECT NO.	ASSY. NO.	DATE	SYMBOL
1	GPR (R)	297		A-11-55	MS-641 H

REQ. ITEM	PART NO.	DESCRIPTION	SYMBOL
	3/16 THK.	THE TECHNICAL MATERIEL CORP. MAMARONECK, NEW YORK	
	ALUMINUM	FRONT PANEL, RACK	
	24 S T3	GPR (R)	
	TYPE & TEMPER	CDD. 4-1155	HH
		DRAWN	ELEC. DES. APP. MECH. DES. APP.
		CHECKED	FINAL APPROVAL
			MS-641 H

MS-641 H