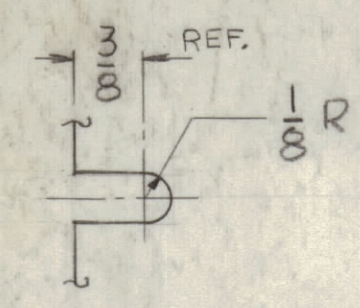


4

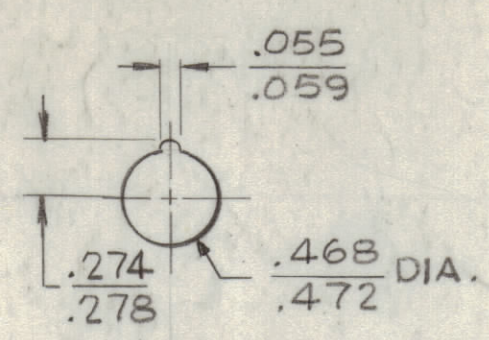
3

2

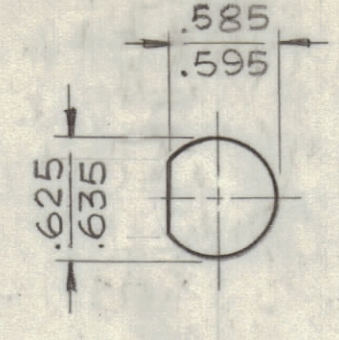
1



DETAIL F



DETAIL C

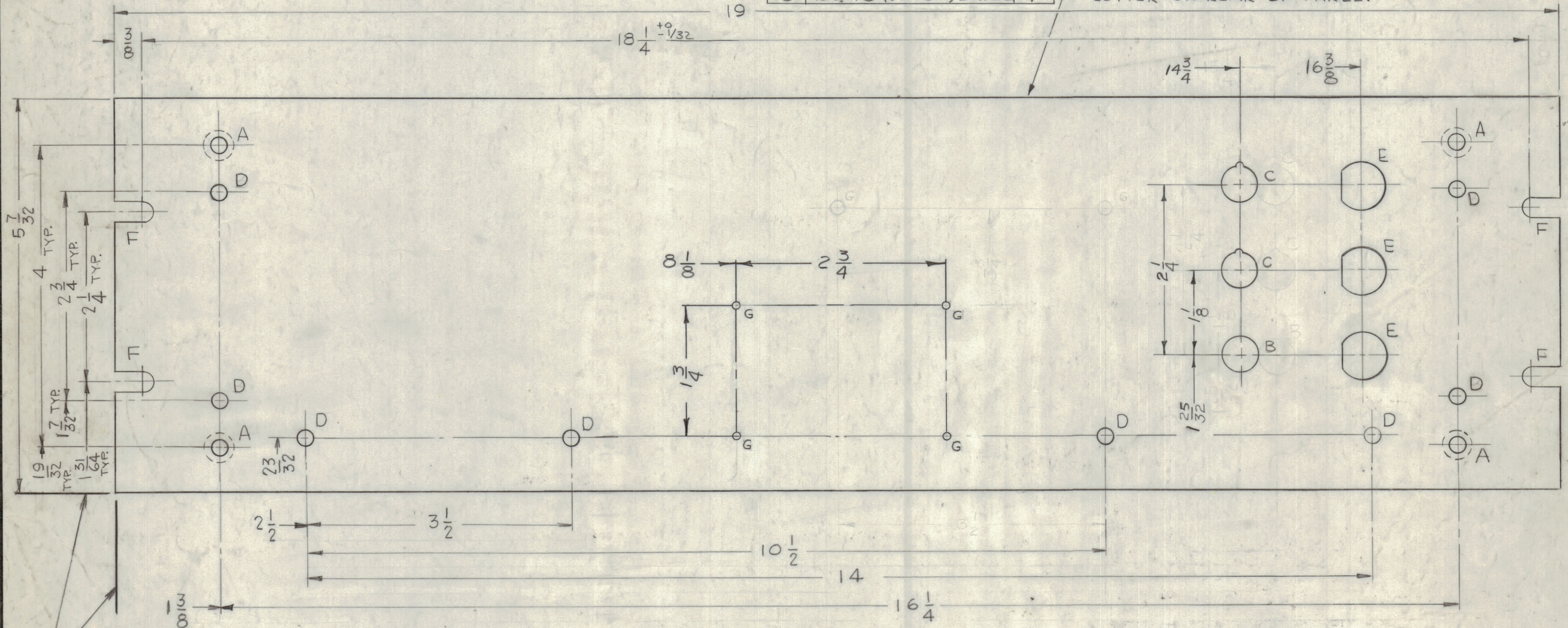


DETAIL E

HOLE LEGEND		
HOLE	DESCRIPTION	REQ.
A	.196 DIA THRU, 82° C'SK TO .390 DIA. (ON REAR)	4
B	15/32 DIA.	1
C	SEE DETAIL	2
D	13/64 DIA.	8
E	SEE DETAIL	3
F	SEE DETAIL	4
G	15Q48 (.0760) DRILL	4

REVISIONS						
ZONE	LTR	DESCRIPTION	DATE	E.M.N.NO	DRAFT	CHKD APPD
	X	EXPERIMENTAL RELEASE	3-2-67		RME	
	X1	14 3/4 WAS 15 1/4 ADDED 2 "G" HOLES	10/26/67		Emf	
	X2	DELE. "G" HOLES (2) 11/4 DIA.	1/25/68		NEA	
	X3	ADD "G" HOLES	3-7-68		Emf	
	Ø	ORIGINAL RELEASE FOR PRODUCTION	12-13-68		KG	

MARK TMC PART NO. (MSG6088-) 1/8 HIGH GOTHIC W/LATEST REVISION LETTER ON REAR OF PANEL.



FRONT VIEW SHOWN

**MACHINING:**

- MILL ALL EDGES.
- HOLES MUST BE DRILLED, UNLESS OTHERWISE SPECIFIED.
- LATERAL LOW OF PANEL MUST BE KEPT TO .031 TOLERANCE.
- PANEL MUST BE FREE OF ALL MACHINING MARKS, GOUGES AND SCRATCHES. IF NECESSARY, SAND FRONT OF PANEL WITH NO. 120 GRIT SANDPAPER.

**FINISH NOTES:**

- S404 - IRIDITE 14-2 AL-COAT.
- S114 - ZINC CHROMATE PRIMER } FRONT AND EDGES ONLY
- S115 - SMOOTH GRAY ENAMEL } OR

PRIME AND PAINT PER CUSTOMER'S SPECIFICATIONS.

1	RTMU-4	
QTY / UNIT	MODEL USED ON	ASS'Y NO.
APPLICATION		
	CODE	

**NOTICE TO PERSONS RECEIVING THIS DRAWING**  
 THE TECHNICAL MATERIEL CORPORATION claims proprietary right in the material disclosed hereon. This drawing is issued in confidence for engineering information only and may not be reproduced or used to manufacture anything shown hereon without permission from THE TECHNICAL MATERIEL CORPORATION to the user. This drawing is loaned for mutual assistance and is subject to recall at any time.

UNLESS OTHERWISE SPECIFIED DIMENSIONS ARE IN INCHES AND INCLUDE CHEMICALLY APPLIED OR PLATED FINISHES.

**TOLERANCES ON**

DECIMALS	FRACTIONS
.X ± .05	± 1/64
.XX ± .01	ANGLES
.XXX ± .005	± 0° -30'

MATERIAL 3/16 THICK ALUMINUM 2024-T3  
 FINISH SEE NOTES

REF: LD2201

QTY. REQ.	ITEM	PART NO.	DESCRIPTION	SYMBOL
	EATON		LIST OF MATERIAL SK352-006-7-1	
FINAL APPROVAL		DATE	<b>THE TECHNICAL MATERIEL CORP.</b> MAMARONECK, NEW YORK  <b>PANEL, FRONT</b>	
MECH. DES.		DATE		
ELECT. DES.		DATE		
CHECKED		DATE		
DRAWN		DATE		
MATERIAL 3/16 THICK ALUMINUM 2024-T3			SIZE	CODE IDENT.NO. DWG NO.
FINISH SEE NOTES			C 82679	MSG6088
			SCALE 1/1	SHEET 1 OF 1

4

3

2

1