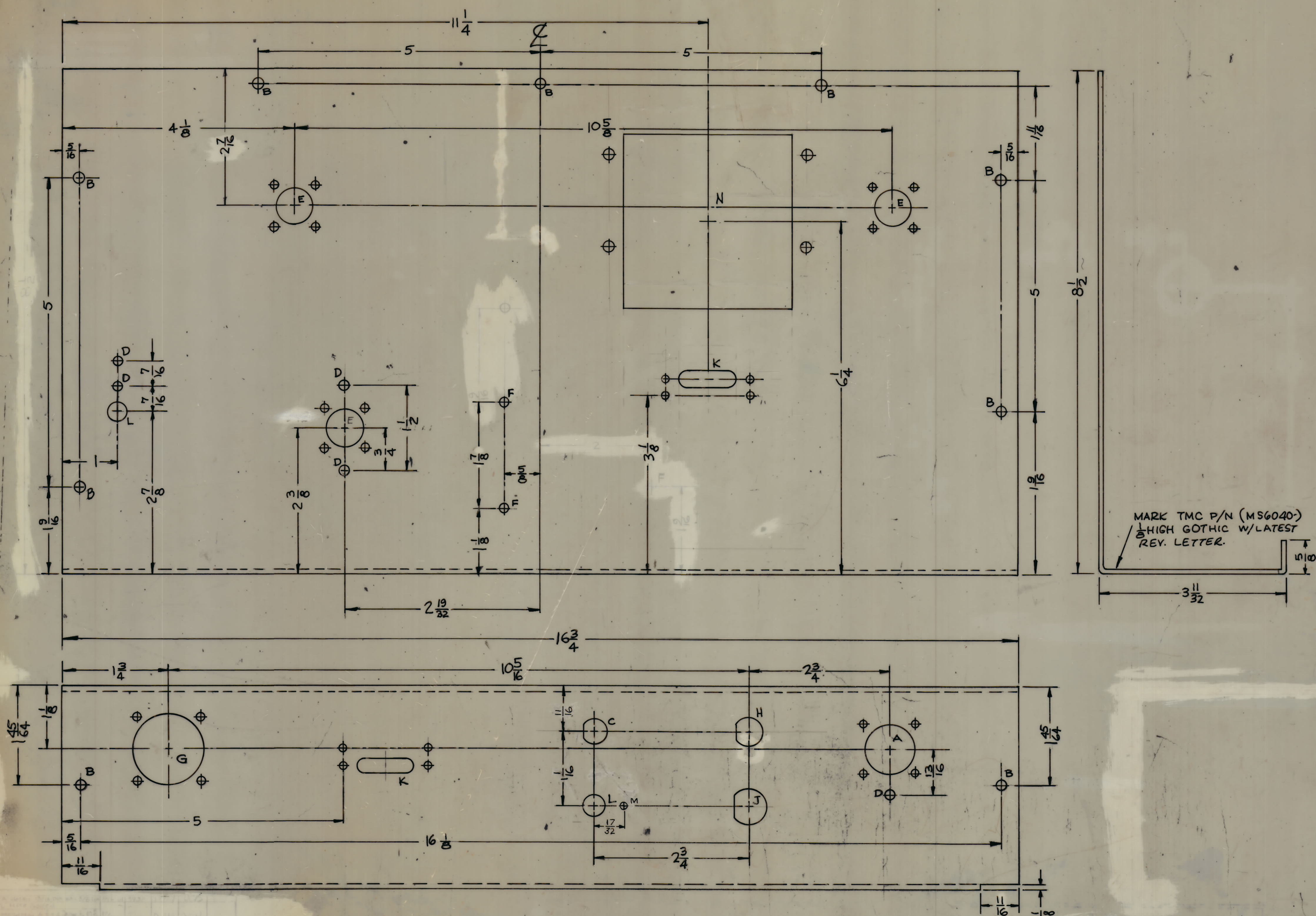
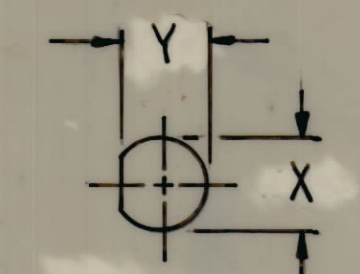
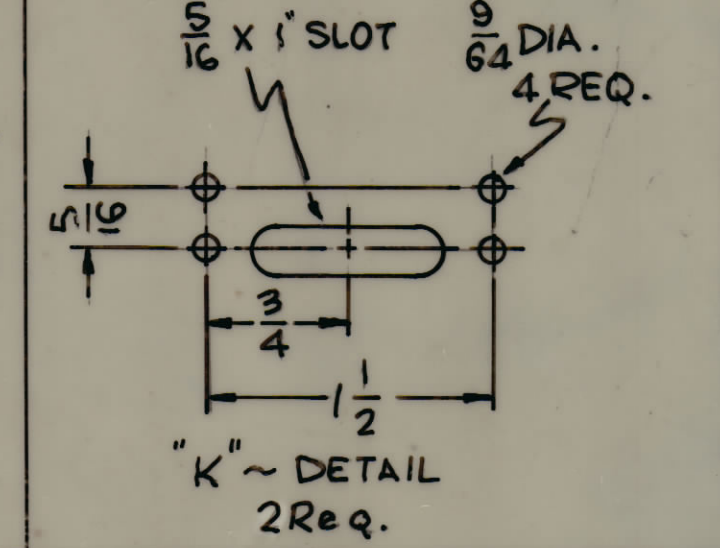
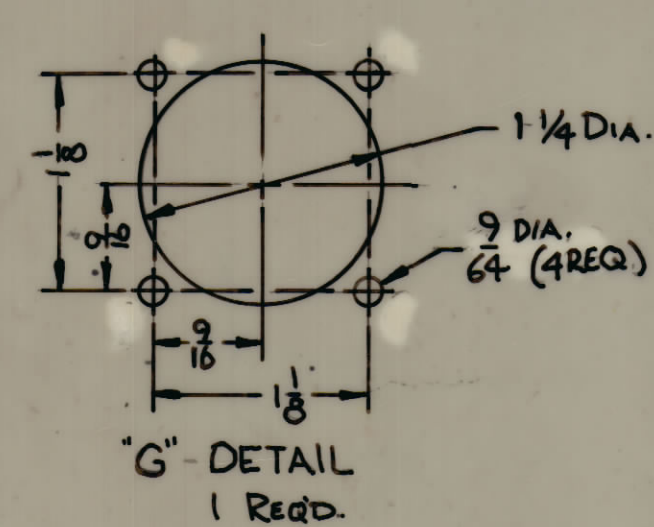
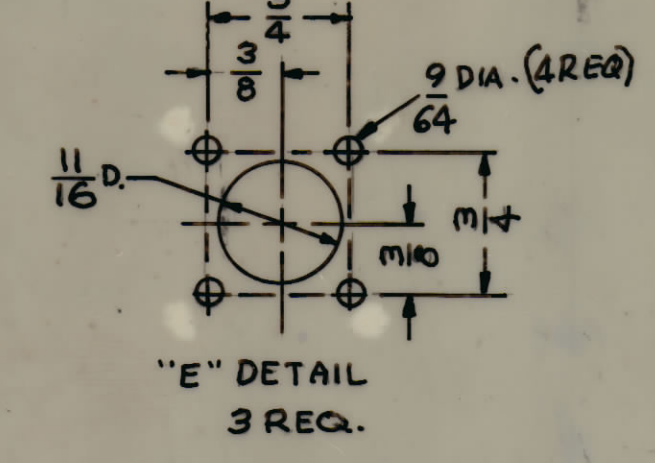
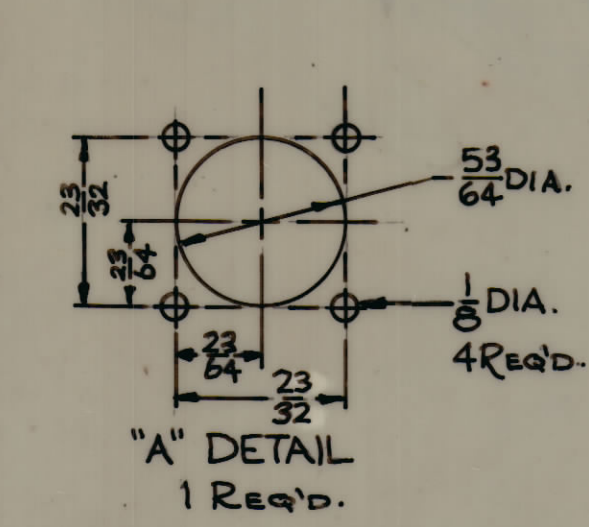


IF IT IS FOUND DESIRABLE TO CHANGE ANY TOLERANCE OR OTHER DETAIL SPECIFIED ON THIS DRAWING NOTIFY THE PURCHASER PROMPTLY.
 MAXIMUM ALLOWABLE TOLERANCES HAVE BEEN DETERMINED AND DEVIATIONS WILL BE CAUSE FOR REJECTION REMOVE ALL BURRS AND SHARP EDGES

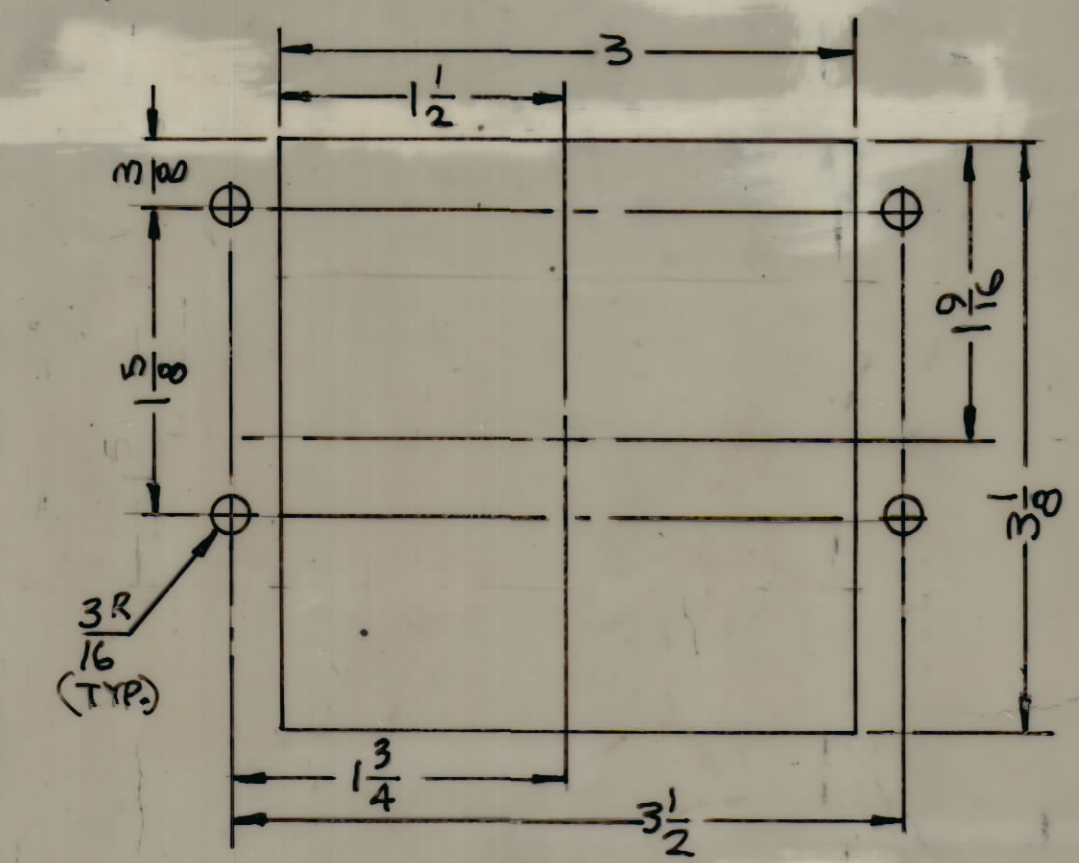


HOLES	REQ'D.
A ~ SEE DETAIL	1
B ~ 13/64 (.203) DIA.	9
C ~ SEE DETAIL	1
D ~ 3/16 (.187)	5
E ~ SEE DETAIL	3
F ~ 5/32 (.156) DIA.	2
G ~ SEE DETAIL	1
H ~ SEE DETAIL	1
J ~ SEE DETAIL	1
K ~ SEE DETAIL	2
L ~ 3/8 DIA.	2
M ~ 1/8 DIA.	1



DETAIL	X	Y
H	500	468
J	625-635	585-595
C	434-4885	402-4885

H, J & C DETAILS



- UNLESS OTHERWISE SPECIFIED:
1. USE MATERIAL THICKNESS FOR MAXIMUM RADIUS ON ALL BENDS
 2. ALL ANGULAR BENDS 90 DEGREES
 3. REMOVE ALL BURRS AND SHARP EDGES

ISSUE	ITEM	CHANGED FROM	DATE	CN. NO.	DRAFTS	CHECKER	ENG. APP.
A	1	CHG'D DIM. FR. 13/16 TO 1/4 & 1 1/4 TO 1 1/16, RELOC. M. HOLE	1-19-67	17698	RME	WLD	WLD
X	1	EXP. RELEASE	12-3-66				

ALL OTHERS	DEC. DIM. ±	FRAC. DIM. ±	ANGULAR DIM. ±	SCALE	DRILL PUNCH, COMMERCIAL STOCK SIZES AND MANUFACTURERS' TOLERANCES ARE NOT INCLUDED.

1	KIT-318	SBT-1K5X2	A	12-3-66
REQ. PER UNIT	MODEL	PROJECT NO.	ASBY. NO.	DATE
		USED ON		

REF: LD2193

REQ. ITEM	PART NO.	LEROY	DESCRIPTION	SYMBOL
.081			THE TECHNICAL MATERIEL CORP. MAMARONECK, NEW YORK	
ALUMINUM			RF OUTPUT CHASSIS	
5052-H32				
S404 YELLOW IRIDIUM				

MS6040 A