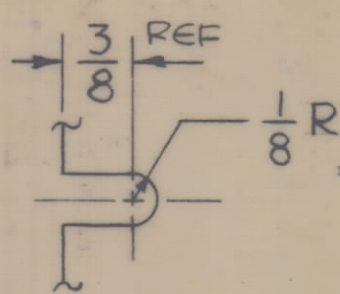


4

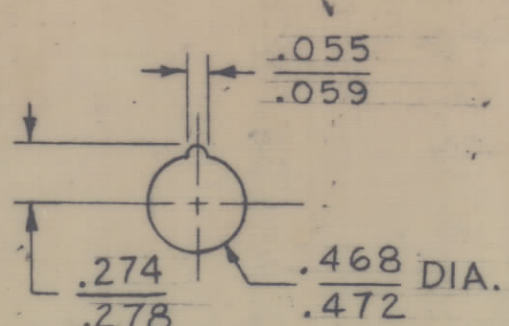
3

2

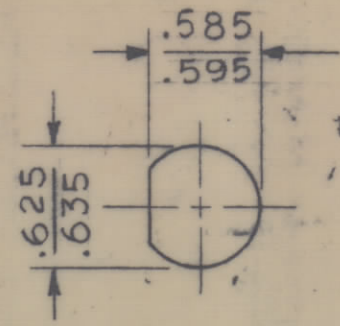
1



DETAIL-F



DETAIL-C

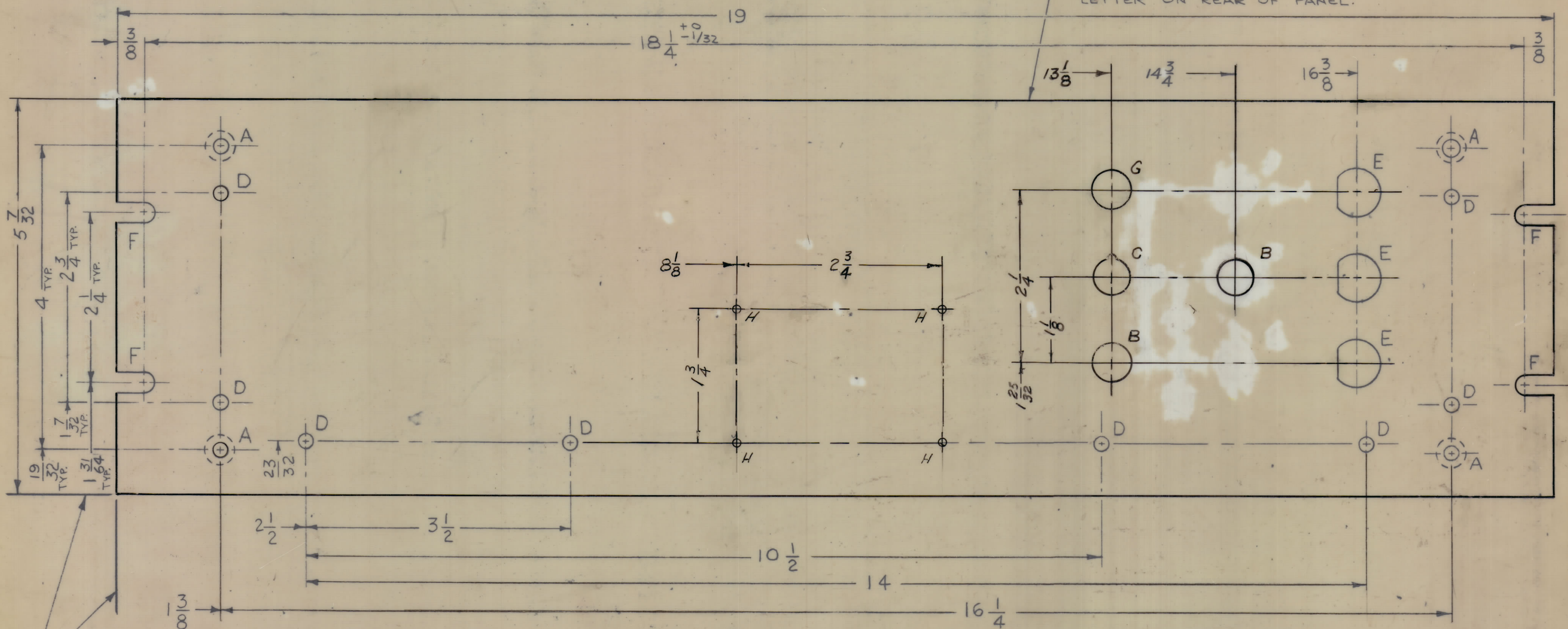


DETAIL-E

HOLE LEGEND		
HOLE	DESCRIPTION	REQ
A	.196 DIA. THRU, 82° C'SK TO .390 DIA. (ON REAR)	4
B	15/32 DIA	2
C	SEE DETAIL	1
D	13/64 DIA	8
E	SEE DETAIL	3
F	SEE DETAIL	4
G	1/2 DIA.	1
H	#48 DRILL (.0760)	4

REVISIONS							
ZONE	LTR	DESCRIPTION	DATE	E.M.N.NO	DRAFT	CHKD	APPD
	X	EXPERIMENTAL RELEASE	2-28-68				
		ORIGINAL RELEASE FOR PRODUCTION	3/26/69				

MARK TMC PART NO. (MS 5379-)
1/8 HIGH GOTHIC W/LATEST REVISION
LETTER ON REAR OF PANEL.



FRONT VIEW SHOWN

LOCATING BASE LINES

- MACHINING:**
- MILL ALL EDGES.
 - HOLES MUST BE DRILLED, UNLESS OTHERWISE SPECIFIED.
 - LATERAL BOW OF PANEL MUST BE KEPT TO .031 TOLERANCE.
 - PANEL MUST BE FREE OF ALL MACHINING MARKS, GOUGES AND SCRATCHES. IF NECESSARY, SAND FRONT OF PANEL WITH NO. 120 GRIT SANDPAPER.

- FINISH NOTES:**
- S404 - IRIDITE 14-2 AL-COAT.
 - S114 - ZINC CHROMATE PRIMER } FRONT AND
 - S115 - SMOOTH GRAY ENAMEL } EDGES ONLY
- OR
PRIME AND PAINT PER CUSTOMER'S SPECIFICATIONS.

QTY / UNIT	RTTD-5, RTTD-5A	ASS'Y. NO.
APPLICATION		
CODE		

NOTICE TO PERSONS RECEIVING THIS DRAWING
THE TECHNICAL MATERIEL CORPORATION claims proprietary right in the material disclosed hereon. This drawing is issued in confidence for engineering information only and may not be reproduced or used to manufacture anything shown hereon without permission from THE TECHNICAL MATERIEL CORPORATION to the user. This drawing is loaned for mutual assistance and is subject to recall at any time.

UNLESS OTHERWISE SPECIFIED DIMENSIONS ARE IN INCHES AND INCLUDE CHEMICALLY APPLIED OR PLATED FINISHES

TOLERANCES ON

DECIMALS	FRACTIONS
.X ± .05	± 1/64
.XX ± .01	ANGLES
.XXX ± .005	± 0° -30'

MATERIAL 3/16 THICK ALUMINUM, 2024-T3
FINISH SEE NOTES

QTY. REQ.	ITEM	PART NO.	DESCRIPTION	SYMBOL
			LIST OF MATERIAL SK3252-006-7-1	
FINAL APPROVAL		DATE	THE TECHNICAL MATERIEL CORP. MAMARONECK, NEW YORK	
MECH. DES.		DATE		
ELECT. DES.		DATE		
CHECKED		DATE	FRONT PANEL	
DRAWN		DATE		
SIZE	CODE	IDENT. NO.	DWG. NO.	ISSUE
C		82679	MS 5379	0
SCALE		1/1		SHEET 1 OF 1

4

3

2

1

MS 5379

A