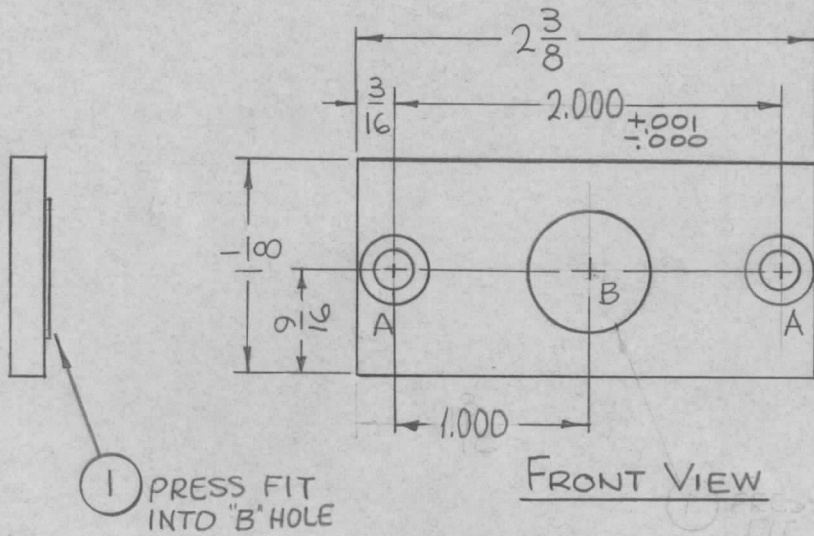


REQ. PER UNIT	USED ON			MS4776	Ø
	MODEL	ASS'Y. NO.	DATE		
1	RFTA-1		10-12-65		

HOLES:

A ~ DR. 196 DIA. C'SINK 82° X .390 DIA.
2 REQ.

B ~ $\frac{.6240}{.6245}$ DIA.



MARK STAMP
TMC P/N (MS4776)
1/8 HIGH GOTHIC
W/LATEST REV.
LETTER.
(ON REAR)

REF: PM 1212

						1	1	BB126-5	BEARING, RACE	B	
						REQ. ITEM		PART NO.	F. BUDETTI DESCRIPTION	SYMBOL	
								3/16 THICK	THE TECHNICAL MATERIEL CORP. MAMARONECK, NEW YORK		
								STOCK SIZE			
Ø	ORIGINAL RELEAS FOR PRODUCTION	3-3-66	MA	Jc	QCB			ALUMINUM	PLATE, BEARING		
SYM	DESCRIPTION	DATE	CH. NO.	DRAFTS	CHECKER	ENG. APP.		MATERIAL			
UNLESS OTHERWISE SPECIFIED DIMENSIONS ARE IN INCHES AND INCLUDE CHEMICALLY APPLIED OR PLATED FINISHES		SCALE		1:1		2024-T3					
DECIMALS .X ± .05 .XX ± .01 .XXX ± .005	TOLERANCES	FRACTIONS ± 1/64 ANGLES ± 0° 30'	CODE A			TYPE & TEMPER		HEAT TREAT. SPEC.	DRAWN	CHECKED	FINAL APPROVAL
						S404 YEL. IRIDITE					
						FINISH & SPEC. NO.		ELEC. DES. APP.	MECH. DES. APP.	MS4776 Ø	